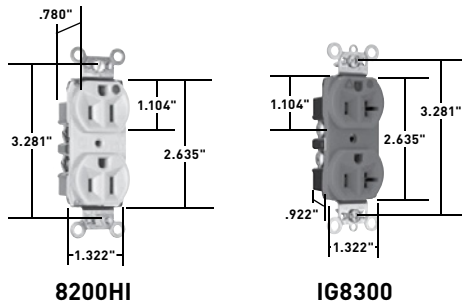


# STRAIGHT BLADE RECEPTACLES

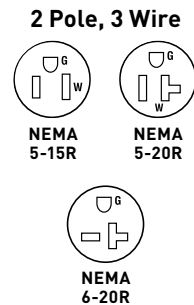
**Heavy-Duty Hospital Grade Compact Design Receptacles** 15 & 20A, 125V; 20A, 250V



## Features

- Impact-resistant nylon face.
- One-piece heat-treated triple-wipe brass power contacts.
- Easily accessible break-off line contact connecting tab for split circuit wiring.
- Terminal compartments isolated from each other for positive conductor containment.
- Corrosion-resistant, zinc-plated steel strap is locked in.
- Internal screw-pressure-plate back wire and side wire line terminals accept #14 – #10 AWG copper or copper-clad conductors.
- High strength thermoplastic back body.
- Back wire holes allow entry of conductor insulation partially into body but not into wiring compartment.
- Auto-ground clip assures positive ground.
- Compact design for easy installation.
- Tri-drive terminal and mounting screws.

CATALOG NUMBER	RATING		COLOR	NEMA CONFIG. NO.	3rd PARTY COMPLIANCE		
	A.	V.			UL498	FSUL WC596	C22.2 No. 42
<b>DUPLEX RECEPTACLES – COMPACT DESIGN BACK &amp; SIDE WIRE</b>							
8200HI	15	125	Ivory	5-15R	•	•	•
8200HW	15	125	White	5-15R	•	•	•
8200H	15	125	Brown	5-15R	•	•	•
8200HGRY	15	125	Gray	5-15R	•	•	•
8200HRED	15	125	Red	5-15R	•	•	•
8200HLA	15	125	Light Almond	5-15R	•	•	•
8200HOR	15	125	Orange	5-15R	•	•	•
8300HI	20	125	Ivory	5-20R	•	•	•
8300HW	20	125	White	5-20R	•	•	•
8300H	20	125	Brown	5-20R	•	•	•
8300HGRY	20	125	Gray	5-20R	•	•	•
8300HBK	20	125	Black	5-20R	•	•	•
8300HRED	20	125	Red	5-20R	•	•	•
8300HLA	20	125	Light Almond	5-20R	•	•	•
8300HBL	20	125	Blue	5-20R	•	•	•
8300HOR	20	125	Orange	5-20R	•	•	•
<b>ISOLATED GROUND DUPLEX RECEPTACLES BACK &amp; SIDE WIRE</b>							
IG8200I	15	125	Ivory	5-15R	•	•	•
IG8200	15	125	Orange	5-15R	•	•	•
IG8200RED	15	125	Red	W5-15R	•	•	•
IG8300I	20	125	Ivory	5-20R	•	•	•
IG8300W	20	125	White	5-20R	•	•	•
IG8300	20	125	Orange	5-20R	•	•	•
IG8300RED	20	125	Red	5-20R	•	•	•
IG8300LA	20	125	Light Almond	5-20R	•	•	•
IG8800	20	250	Orange	6-20R	•	•	•
IG8800LA	20	250	Light Almond	6-20R	•	•	•



For Bulk Packaging Solutions consult factory.

All devices listed on this page conform to NEMA WD-1 and WD-6.

# DEVICES & WALL PLATES

## Color Selection Chart

### Devices & Plastic Wall Plate Colors



Ivory    Light Almond    White    Green    Antique Brass    Dark Bronze    Nickel



Black    Blue    Brown    Gray    Orange    Red

See specific device and wall plate catalog charts for particular color availabilities.

### Metal Wall Plates

Metal Finish



Aluminum    Brass (Brushed)    Polished Brass    Stainless Steel    Brushed Bronze    Chrome

### Custom Metal Wall Plates Paint Finish Colors

Paint Color



Orange    Green    Gray    Yellow    Glossy Black    Brown    White



Primer    Red    Pink    Flat Black    Ivory    Light Almond    Blue

To order custom metal wall plates, see Pages P-40 – P-44.

**For additional colors consult factory.**