

Cable Ties

Catalogue Number Construction

L **4** **18** **HS** - **9** **M**

Product Prefix
P - Plain Bagged Cable Ties
L - Cable Ties

Length
18 lb.
30 lb.
40 lb.
50 lb.
120 lb.
175 lb.
250 lb.

Tensile Strength

Type of Product
Nylon 66 - Leave Blank
Heat Stabilized - HS
(Black and Natural Colour Only)
Fluorescent - FL
Mounting Head - MH
Pushmount - PM
Pushmount Releasable - PMR
Releasable - R
Restricted Bundle - TB
Identification - ID

Colour
See Colour Table

Quantity
Q - 25 pack
L - 50 pack
C - 100 pack
D - 500 pack
M - 1,000 pack

MP **NY** - **750** - **9** **C**

Material
Nylon
TZ - Fluoropolymer
PV - PVC
PE - Polyethylene
FR - Flame Retardant
TL - Teflon

Size / #
.75"

Colour
See Colour Table

Quantity
Q - 25 pack
L - 50 pack
C - 100 pack
D - 500 pack
M - 1,000 pack

- Product Prefix**
- MP - Mounting Pad
 - ID - Identification
 - S# - Strapping Thickness
 - MC - Mounting Cradle
 - PM - Push Mounts
 - SM - Screw Mounts
 - N# - Plain-Edged Cable Clamps / Width
 - W# - Self-Aligning Cable Clamps / Dia.
 - UL - Adjustable Cable Clamps
 - GG - Gator Grip
 - FA - Flat Adhesive Clip
 - FS - Flat Screw Clip
 - FR - Flat Rubber Adhesive Clip
 - MS - Snap Mount
 - RA - Round Adhesive Clip
 - SR - Spiral Wrap
 - GS - Grommeting
 - GR - Extruded Grommeting
 - GRU - Extruded Grommeting Uncut

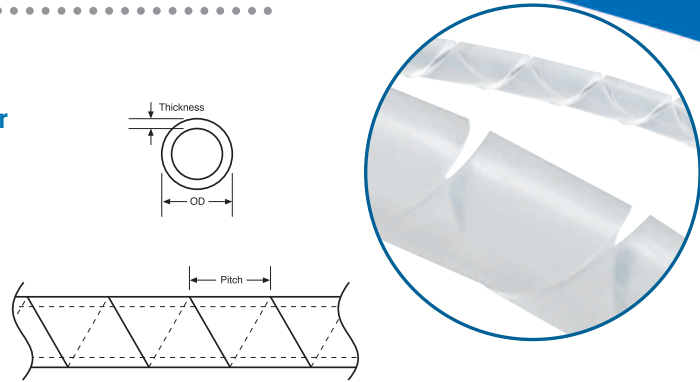
Colour Table	
0 - Black (Weather-Resistant)	7 - Purple
1 - Brown	8 - Grey
2 - Red	9 - Natural
3 - Orange	11 - Fluorescent Pink
4 - Yellow	16 - Fluorescent Orange
5 - Green	17 - Fluorescent Yellow
6 - Blue	18 - Fluorescent Green
	20 - Fluorescent Blue

Wire Protection Products

Spiral Wrap

Install with gaps for greater flexibility or butted together for maximum abrasion resistance, insulation and rigidity!

- Packaged in 100 foot reels
- Protects bundles from 0.063 in. to 7 in. (1.6 mm to 177.8 mm) diameters
- Available in three material types
- Also commonly known as reverse cut, left-handed cut or counter-clockwise cut
- For use with cutting tool SR-100 (see page C69)
- UL 94 HB Flammability Rating



Cat. No.	Material	Outside Diameter		Pitch		Nominal Wall Thickness		Minimum/Maximum Bundle Range				Reel Qty.
		(in.)	(mm)	(in.)	(mm)	(in.)	(mm)	(in.)	(mm)	(in.)	(mm)	
Spiral Wrap												
SRPE-125-9-C	Natural Polyethylene	0.125	3.18	0.210	5.33	0.35	0.89	0.06	1.60	0.50	12.70	1 (100 ft.)
SRPE-187-9-C		0.187	4.75	0.240	6.10	0.040	1.02	0.13	3.18	1.50	38.10	
SRPE-250-9-C		0.250	6.35	0.375	9.53	0.045	1.14	0.19	4.78	2.00	50.80	
SRPE-375-9-C		0.375	9.53	0.438	11.13	0.052	1.32	0.31	7.95	3.00	76.20	
SRPE-500-9-C		0.500	12.70	0.563	14.30	0.062	1.57	0.38	9.53	4.00	101.60	
SRPE-625-9-C		0.625	15.88	0.625	15.88	0.060	1.57	0.63	15.88	4.50	114.30	
SRPE-750-9-C		0.750	15.88	0.750	19.05	0.65	1.65	0.75	19.05	5.00	127.00	
SRPE-1000-9-C		1.000	25.40	1.110	28.19	0.70	17.78	1.00	25.40	7.00	177.80	
SRPE-125-0-C	Weatherable Black Polyethylene	0.125	3.18	0.210	5.33	0.35	0.89	0.06	1.60	0.50	12.70	
SRPE-187-0-C		0.187	4.75	0.240	6.10	0.040	1.02	0.13	3.18	1.50	38.10	
SRPE-250-0-C		0.250	6.35	0.375	9.53	0.045	1.14	0.19	4.78	2.00	50.80	
SRPE-375-0-C		0.375	9.53	0.438	11.13	0.052	1.32	0.31	7.95	3.00	76.20	
SRPE-500-0-C		0.500	12.70	0.563	14.30	0.062	1.57	0.38	9.53	4.00	101.60	
SRPE-625-0-C		0.625	15.88	0.625	15.88	0.060	1.57	0.63	15.88	4.50	114.30	
SRPE-750-0-C		0.750	15.88	0.750	19.05	0.065	1.65	0.75	19.05	5.00	127.00	
SRPE-1000-0-C		1.000	25.40	1.110	28.19	0.070	1.78	1.00	25.40	7.00	177.80	
SRNY-187-9-C	Natural Nylon 6.6	0.190	4.75	0.240	6.10	0.025	0.64	0.13	3.18	1.50	38.10	
SRNY-250-9-C		0.250	6.35	0.375	9.53	0.030	0.76	0.19	4.78	2.00	50.80	
SRNY-375-9-C		0.375	9.53	0.438	11.13	0.040	0.89	0.31	7.95	3.00	76.20	
SRNY-500-9-C		0.500	12.70	0.563	14.30	0.040	0.89	0.38	9.53	4.00	101.60	

Sold in 100-ft. rolls.

Polyethylene

Available in natural and weatherable black.

For general indoor use to 122°F (50°C). Material is flexible and easy to work with.

Weatherable Polyethylene

Available in black only.

Designed to resist ultraviolet light in outdoor applications.

Flame-Retardant Polyethylene

Available in white only.

Material is UL 94 V-0 rated. More economical and less rigid than nylon.

Nylon 6.6

Available in natural only.

Offers highest abrasion resistance and rigidity. Self-extinguishing to UL 94 HB and a UL Recognized Component.

Fluoropolymer

Available in opaque colour.

Excellent resistance to harsh environments 338°F (170°C) max operating temperature.