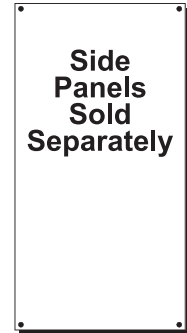


HMET Series



Application

- The HMET 2 door product line provides users with a rugged housing for industrial control and operator interface in industrial environments.
- Modular design permits joining of units together for large scale and mixed use applications.
- Frame's 25mm hole pattern provides extensive component and accessory mounting flexibility.
- A broad range of industry standard sizes are offered.

Standards

- UL 508 Type 12
- CSA Type 12
- **Complies with**
 - NEMA Type 12
 - IEC 60529 IP54

Configuration

- Frame
- Removable solid top panel
- Lifting eyebolts (4)
- Removable bottom panel w/gland plates
- Two overlapping solid front doors with door frames
- Two removable rear cover panels with removable rear center post
- Full width inner mounting panel

Construction

- Formed 14 gauge steel.
- Fully welded frame with 25mm hole pattern for superior mounting flexibility.
- Seamless foam in place gasket.
- Reinforced eyebolts are provided for easy enclosure lifting.
- Frames can be joined together with an optional joining kit.
- Doors can be easily interchanged, removed and/or reversed.
- Door opening 135°.
- Optional formed 14 gauge steel side panels are sold separately (in pairs).
- Bonding and grounding studs are provided for all doors and panels.

Finish

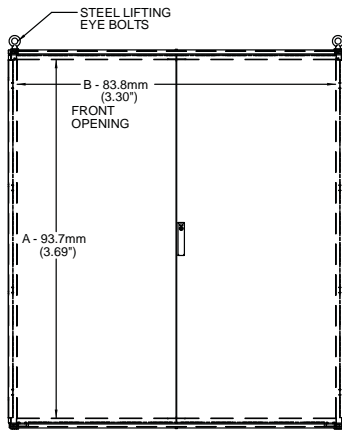
- Phosphatized and finished in RAL 7035 light gray powder coating.
- Inner panel is unpainted galvanized 12 gauge steel.

Accessories

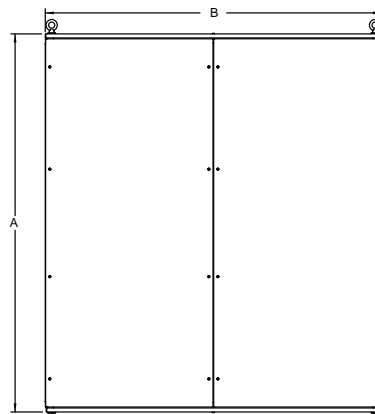
- 19" mounting rails
- Cooling - ACs
- Cooling - fans
- Door shelf
- Frame joining kit
- Grid mounting system
- Handles and inserts
- Interlock system
- Leveling feet
- Light kit and accessories
- Literature pocket
- Panel - Bridge
- Panel - Barrier
- Plinth
- Side panels
- Tamper resistant screws
- Top mount cable module

Modular Enclosures

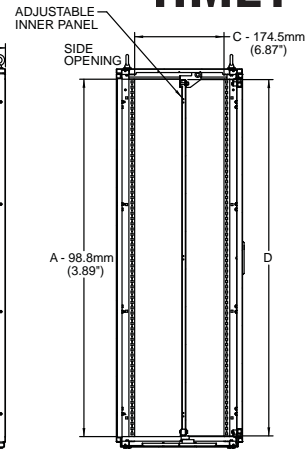
HMET Series



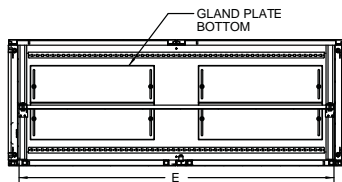
Front View



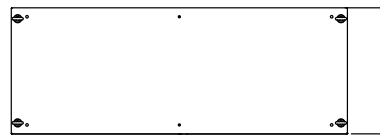
Rear View



Side View Cross Section



Bottom View Cross Section



Top View

Part Number	Overall Dimensions			Panel Dimensions		
	A	B	C	D	E	
HMET14125	mm	1400	1200	500	1296	1099
	inch	55.12	47.25	19.69	51.03	43.27
HMET14126	mm	1400	1200	600	1296	1099
	inch	55.12	47.25	23.62	51.03	43.27
HMET14128	mm	1400	1200	800	1296	1099
	inch	55.12	47.25	31.50	51.03	43.27
HMET16125	mm	1600	1200	500	1496	1099
	inch	62.99	47.25	19.69	58.90	43.27
HMET16126	mm	1600	1200	600	1496	1099
	inch	62.99	47.25	23.62	58.90	43.27
HMET16128	mm	1600	1200	800	1496	1099
	inch	62.99	47.25	31.50	58.90	43.27
HMET1886	mm	1800	800	600	1696	699
	inch	70.87	31.50	23.62	66.77	27.52
HMET1885	mm	1800	800	500	1696	699
	inch	70.87	31.50	19.69	66.77	27.52
HMET18104	mm	1800	1000	400	1696	899
	inch	70.87	39.37	15.75	66.77	35.40
HMET18124	mm	1800	1200	400	1696	1099
	inch	70.87	47.25	15.75	66.77	43.27
HMET18125	mm	1800	1200	500	1696	1099
	inch	70.87	47.25	19.69	66.77	43.27
HMET18126	mm	1800	1200	600	1696	1099
	inch	70.87	47.25	23.62	66.77	43.27
HMET18128	mm	1800	1200	800	1696	1099
	inch	70.87	47.25	31.50	66.77	43.27
HMET18164	mm	1800	1600	400	1696	1499
	inch	70.87	62.99	15.75	66.77	59.02
HMET18165	mm	1800	1600	500	1696	1499
	inch	70.87	62.99	19.69	66.77	59.02
HMET18166	mm	1800	1600	600	1696	1499
	inch	70.87	62.99	23.62	66.77	59.02
HMET18168	mm	1800	1600	800	1696	1499
	inch	70.87	62.99	31.50	66.77	59.02
HMET18184	mm	1800	1800	400	1696	1699
	inch	70.87	70.87	15.75	66.77	66.89

Part Number	Overall Dimensions			Panel Dimensions		
	A	B	C	D	E	
HMET18185	mm	1800	1800	500	1696	1699
	inch	70.87	70.87	19.69	66.77	66.89
HMET18186	mm	1800	1800	600	1696	1699
	inch	70.87	70.87	23.62	66.77	66.89
HMET18188	mm	1800	1800	800	1696	1699
	inch	70.87	70.87	31.50	66.77	66.89
HMET20105	mm	2000	1000	500	1896	899
	inch	78.74	39.37	19.69	74.65	35.40
HMET20106	mm	2000	1000	600	1896	899
	inch	78.74	39.37	23.62	74.65	35.40
HMET20124	mm	2000	1200	400	1896	1099
	inch	78.74	47.25	15.75	74.65	43.27
HMET20125	mm	2000	1200	500	1896	1099
	inch	78.74	47.25	19.69	74.65	43.27
HMET20126	mm	2000	1200	600	1896	1099
	inch	78.74	47.25	23.62	74.65	43.27
HMET20128	mm	2000	1200	800	1896	1099
	inch	78.74	47.25	31.50	74.65	43.27
HMET20165	mm	2000	1600	500	1896	1499
	inch	78.74	62.99	19.69	74.65	59.02
HMET20166	mm	2000	1600	600	1896	1499
	inch	78.74	62.99	23.62	74.65	59.02
HMET20168	mm	2000	1600	800	1896	1499
	inch	78.74	62.99	31.50	74.65	59.02
HMET20185	mm	2000	1800	500	1896	1699
	inch	78.74	70.87	19.69	74.65	66.89
HMET20186	mm	2000	1800	600	1896	1699
	inch	78.74	70.87	23.62	74.65	66.89
HMET20188	mm	2000	1800	800	1896	1699
	inch	78.74	70.87	31.50	74.65	66.89
HMET22106	mm	2200	1000	500	2096	899
	inch	86.62	39.37	19.69	82.52	35.40
HMET22125	mm	2200	1200	500	2096	1099
	inch	86.62	47.25	19.69	82.52	43.27
HMET22126	mm	2200	1200	600	2096	1099
	inch	86.62	47.25	23.62	82.52	43.27

Technical references and CAD downloads available at www.hammondmfg.com

All dimensions in inches unless specified otherwise

Quality Products. Service Excellence.