

Project/Location		Date
Contractor		Prepared by
LUMACELL Model		

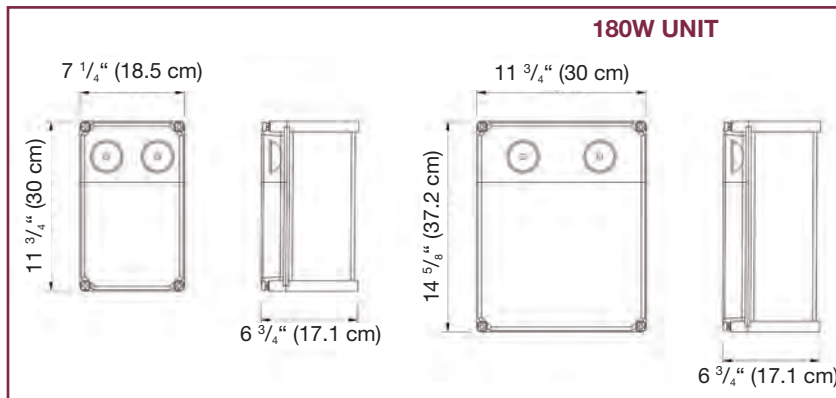


Wire Guards

460.0082-L	Wall Mount	Small Cabinet
460.0081-L	Wall Mount	Medium and Large Cabinet

RGSW4T SERIES

Dimensions



Replacement Lamps

Model	Lamp Type	Voltage
570.0016-L	Tungsten	6V - 72W
580.0013-L	Halogen bi-pin	6V - 8W
580.0015-L	Halogen bi-pin	12V - 12W

Power Consumption and Unit Rating

Model	AC Specs	Wattage Capacity					
		30min	1h00	1h30	2h00	4h00	
RG36W4T	120/347 Vac	0.10/0.04 Amp	36	21	15	12	6
RG72W4T		0.22/0.08 Amp	72	42	30	24	12
RG108W4T		0.22/0.08 Amp	108	63	45	36	18
RG180W4T		0.22/0.08 Amp	180	105	75	60	30
RG12S36W4T		0.09/0.03 Amp	36	21	15	12	6
RG12S72W4T		0.15/0.06 Amp	72	42	30	24	12
RG12S144W4T		0.40/0.14 Amp	144	84	60	48	24
RG12S180TB		0.80/0.33 Amp	180	105	75	60	30

Ordering Information

Series	Capacity	Housing	# of heads	Style/Wattage	AC Voltage	Options
RG36= 6 volts	36= 36 watts	W4T= NEMA-4X	2= two heads	9W= mini tungsten, 6V, 12V, 9W, wedge base	Blank= 120/347 Vac input ZC= 277 Vac input	AT= Auto-Test
	72= 72 watts			18W= mini tungsten, 12V, 18W, to wedge base		CT= cabtire
	108= 108 watts 180= 180 watts			Q8W= mini halogen, 6V, 12V, 8W, quartz bi-pin		HTR= heater & thermostat
RG12S= 12 volts	36= 36 watts			Q12W= mini halogen, 6V, 12V, 12W, quartz bi-pin		LC= line cord
	72= 72 watts			Q20W= mini halogen, 6V, 12V, 20W, quartz bi-pin		LD= lamp disconnect (internal)
	144= 144 watts 180= 180 watts					LTS= light activated test switch
						*RRT= remote test receiver
						TD= time delay
						TL= Twistlock plug
						**HHC= remote test transmitter

EXAMPLE: RGS36W4T29WAT

* Remote test transmitter needed.
**One per order.

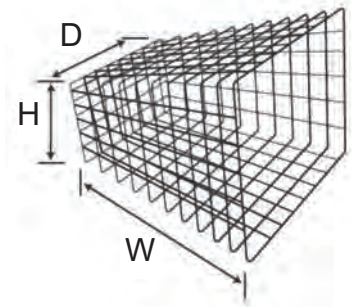
Wire Guards



Exit Signs

Part #	Mounting	Signs		Dimensions		
				W	H	D
460.0027-L	End Mount	LSR800 Exit LER400 Exit 700 Exit Series 3000 Series - Nema-4X Exit LTEU Exit	LER900 Exit LMCE Exit LER660 Exit LTSU Sortie	10 1/2" (26.7 cm)	6" (15.2 cm)	16" (40.6 cm)
460.0028-L	Ceiling Mount	LER800 Exit LER400 Exit 700 Exit Series 3000 Series - Nema-4X Exit LTEU Exit	LER900 Exit LMCE Exit LER660 Exit LTSU Sortie	14 1/2" (36.8 cm)	6 1/4" (15.9 cm)	10 1/2" (26.5 cm)
460.0034-L	Wall Mount	RG12S Sortie NH50	RG12S Exit (cab "B")	28 1/4" (7.5 cm)	21 1/8" (53.7 cm)	10" (25.4 cm)
460.0048-L	End Mount	LSR800 Sortie LSR400 Sortie	LSR900 Sortie LSRLMCSU Sortie	10 1/2" (26.7 cm)	6" (15.2 cm)	21" (53.3 cm)
460.0057-L	Wall Mount	LSR800 Sortie LSR400 Sortie	LSR900 Sortie LSRLMCSU Sortie	21" (53.3 cm)	10" (25.4 cm)	4" (10.2cm)
460.0058-L	Ceiling Mount	LSR800 Sortie LSR400 Sortie	LSR900 Sortie LSRLMCSU Sortie	21 3/4" (55.2 cm)	5 1/2" (14 cm)	10 1/2" (26.7cm)
460.0059-L	Wall Mount	900B6L bilingual Series LMCSB6L Sortie	400B6L bilingual Series LMCEB6L Exit	31" (86.4 cm)	10" (25.4 cm)	4 1/2" (14 cm)
460.0060-L	End Mount	3LSRLMCSU series Sortie Combo 3000 Series-Nema-4X Exit Combo	8LMCSU Sortie Combo	20" (50.8 cm)	12" (30.5 cm)	15" (38.1 cm)
460.0060-L	Wall Mount	3LSR400 Sortie Combo	3LER400 Exit Combo	20" (50.8 cm)	12" (30.5 cm)	15" (38.1 cm)
460.0060-L	Ceiling Mount	3000 Series-Nema-4X Exit Combo		20" (50.8 cm)	12" (30.5 cm)	15" (38.1 cm)
460.0078-L	Wall Mount	3LSRLMCSU Sortie Combo 3000 Series-Nema-4X Exit Combo 3LSR400 Sortie Combo	8LMCSU Exit Combo 3LER400 Exit Combo	18" (45.7 cm)	18" (45.7 cm)	7" (17.8 cm)
460.0079-L	Wall Mount	LER800 Exit LER400 Exit 700 Exit Series 3000 Series-Nema-4X Exit LTEU Exit	LER900 Exit LMCE Exit LER660 Exit LTSU Sortie	14" (36.6 cm)	10" (25.4 cm)	4 1/2" (11.4 cm)
460.0080-L	Wall Mount	LER-HZ combo (class1 Div2)	LER-HZ Exit	15 1/4" (38.7 cm)	14 1/8" (35.9 cm)	6 1/2" (16.5 cm)
460.0081-L	Wall Mount	RG12S Exit (cab "A")		20" (50.8 cm)	17 1/8" (43.6 cm)	8 1/2" (21.6 cm)
460.0091-L	Wall Mount	LER400R Exit Series		15" (38.1 cm)	10 1/2" (26.7 cm)	1" (2.5 cm)
460.0092-L	Ceiling Mount	3LSRLMCSU Sortie Combo Series	8LMCSU Sortie Combo	31" (53.3 cm)	4.5" (11.4 cm)	10" (25.4 cm)

Project / Location		Date
Contractor		Prepared by
LUMACELL Model		



WIRE GUARDS &

Battery Units

MOUNTING SHELVES

Part #	Mounting	Commercial, Deco Unit	Dimensions		
			W	H	D
460.0078-L	Wall Mount	"A" Cabinet - 6V, 12V, 24V - Max. 144watts	17" (43.2 cm)	17" (43.2 cm)	7" (17.8 cm)
460.0081-L	Wall Mount	"B" Cabinet - 6V - 180watts 12V - 200 to 360watts 24V - 200 to 288watts	20" (50.8 cm)	17 1/8" (43.6 cm)	8 1/2" (21.6 cm)
460.0034-L	Wall Mount	"C" Cabinet - 12V - 650watts 24V - 350 to 720watts	28 1/8" (71.5 cm)	21 1/8" (53.7 cm)	10" (25.4 cm)
	Wall Mount	"D" Cabinet - 12V - 360watts HP, 900watts 24V - 720watts HP			
460.0097-L	Wall Mount	Q-BIC	31" (53.3cm)	6.0" (15.2 cm)	7.0"(17.8 cm)

Small, 6Volt

460.0080-L	Wall Mount	6V, 12V - 18 to 72watts	15 1/4" (38.7 cm)	14 1/8" (35.9 cm)	6 1/2" (16.5 cm)
------------	------------	-------------------------	-------------------	-------------------	------------------

Industrial W4T

460.0082-L	Wall Mount	Small Cabinet	12" (30.5 cm)	9" (3.5 cm)	9" (3.5 cm)
460.0081-L	Wall Mount	Medium and Large Cabinet	20" (50.8 cm)	17 1/8" (43.6 cm)	8 1/2" (21.6 cm)

Remote Heads

Part #	Remote Heads	Dimensions		
		W	H	D
440.0029-L	MT1, MT2, DR1130, DR2130, MQ, MQM	6 1/4" (15.9cm)	8 1/4"(21.0cm)	6 3/4"(17.2cm)
440.0031-L	RSQBD, RG-NX	28"(71.1cm)	8 1/2"(21.5cm)	8 1/2"(21.5cm)
440.0032-L	RSQB2	9 1/2"(24.1cm)	9 1/2"(24.1cm)	6 1/8"(15.6cm)
440.0033-L	RS22, RS34	9 1/2"(24.1cm)	9 1/2"(24.1cm)	4"(10.2cm)
440.0035-L	RS10, RS10WP, RS10WPRB, RSQB, MQM-NX, MQM-NC, RS40 MQM-HZ	8 7/16"(21.5cm)	6"(15.2cm)	8 7/16"(21.5cm)
440.0082-L	RS20, RS20WP, RS20WPRB, SAF-T-RAY, CAMRAY	12"(30.5cm)	9"(22.9cm)	9"(22.9cm)
440.0010-L	DIVIDER®	14"(35.6cm)	5.8"(14.7cm)	5.6"(14.2cm)

Mounting Shelves

