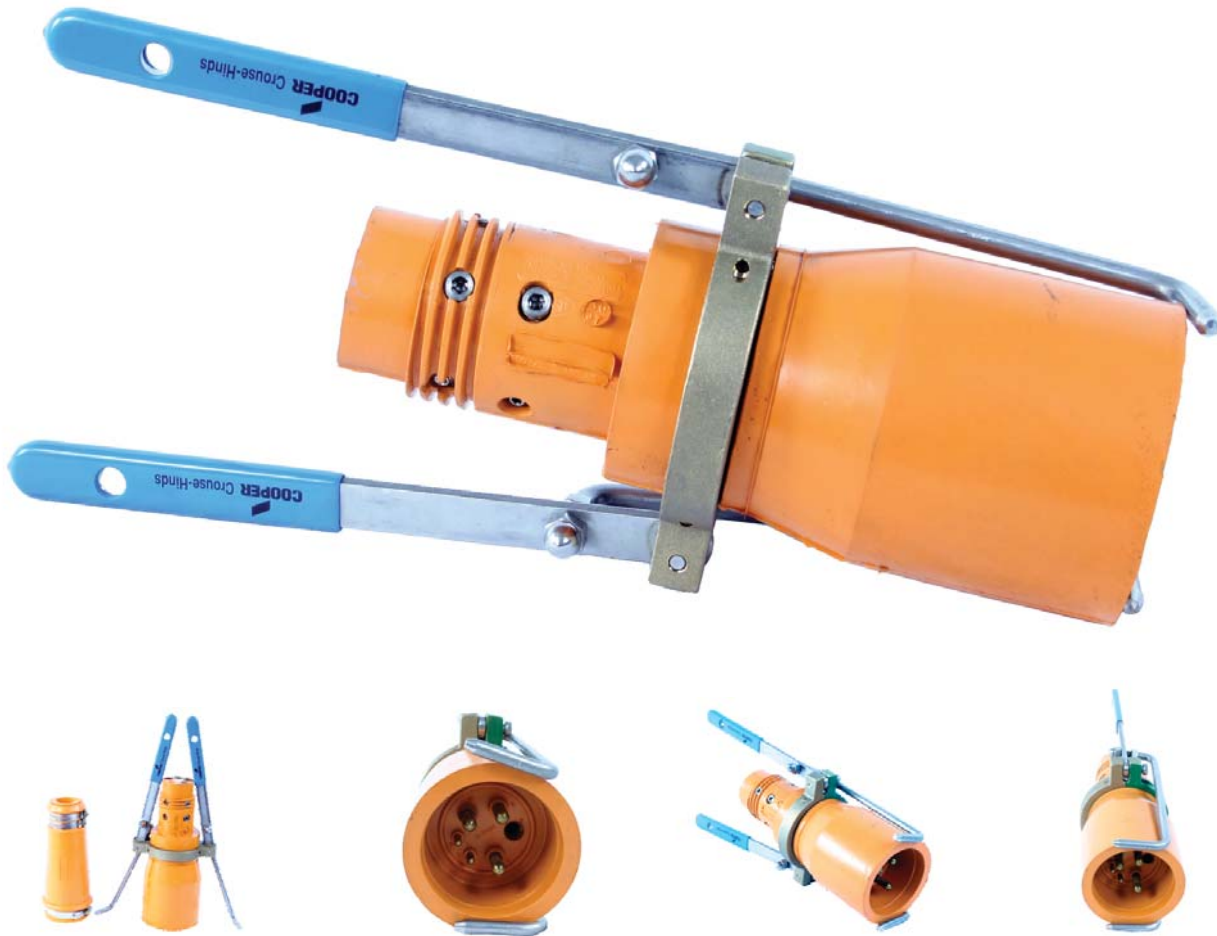


"L" Series Lever Action Quik-Loc Connector



"L" Series Lever Action Quik-Loc™ Connector

From the pioneers in Quik-Loc mine connectors, Cooper Interconnect offers the "L" Series Lever Action Quik-Loc™ connectors.

Features and Benefits:

Quick Disconnect - Lever action engagement allows for easy assembly and disassembly.

Safe - Grounded brackets connected to ground contact support electrical safety of plug and receptacle.

Protected Contacts - Extended male shroud protects contacts while disengaged. Recessed contacts prevent arcing and slip easy contact designs allow for maximum engagement while ensuring high conductivity.

Visual Indicator - Color-coded plugs allow for quick identification for ampacity rating.

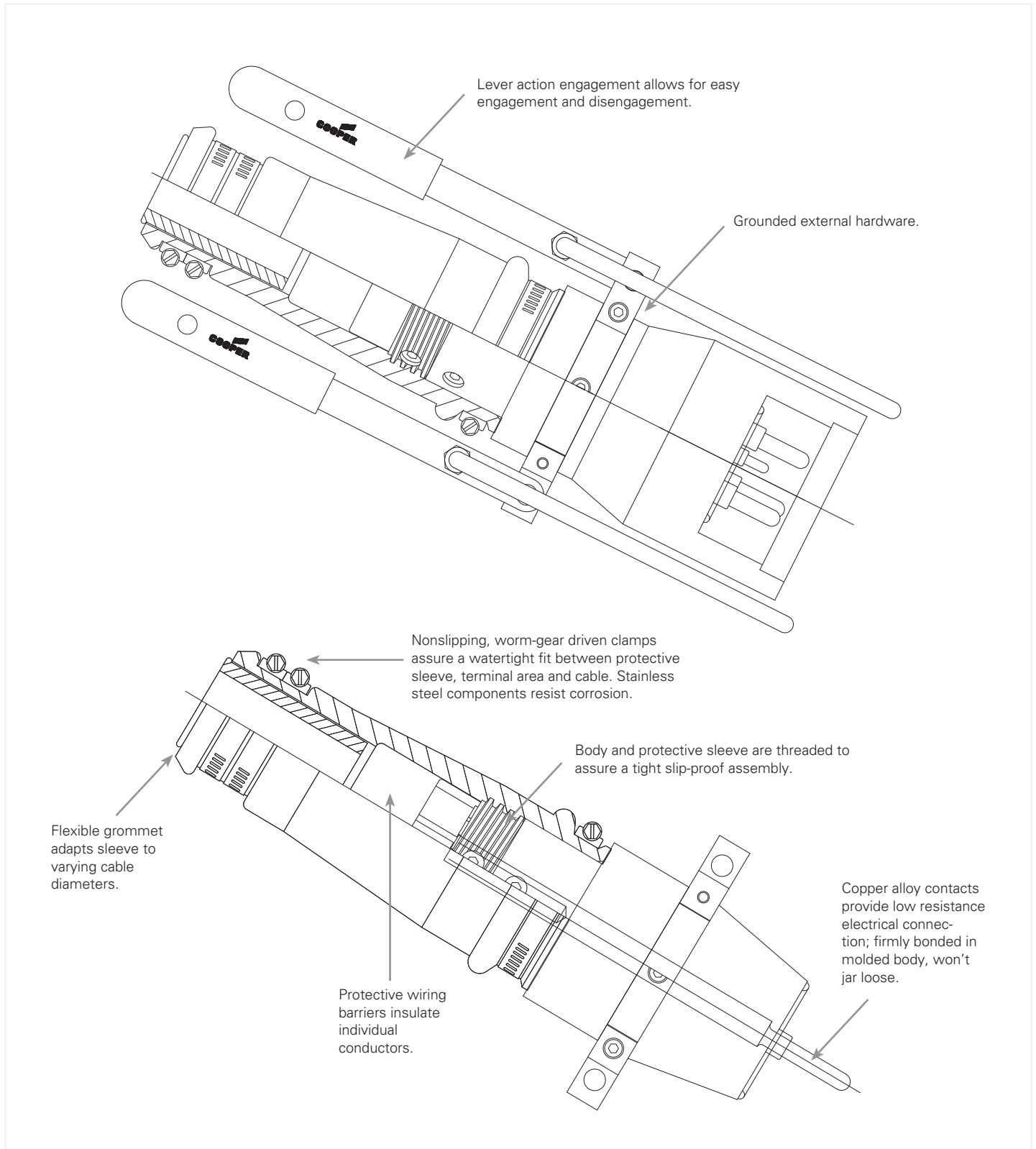
Corrosion Resistant - Stainless steel handles and levers resist corrosion.

Rugged - Neoprene body is impact and chemical resistant and designed to support rugged, harsh environments.

Intermateable - Fully intermateable with competitive lever style connectors.

"L" Series Lever Action Quik-Loc™ Connector

Features Overview



"L" Series Lever Action Quik-Loc Plugs



"L" SERIES LEVER ACTION QUIK-LOC™ PLUGS

MAX SINGLE POLE CONDUCTOR SIZE (AWG)	600 V CONNECTOR ONLY AMPERAGE RATING (A) †	PART NUMBER		DIMENSIONS (APPROXIMATE INCHES)				COLOR	PROTECTIVE CAPS	
		MALE PLUG	FEMALE PLUG	MALE A	MALE B	FEMALE A	FEMALE B		MALE	FEMALE
8	75	X8343-5L	X8343-4L	16-3/8	6-3/8	14-3/16	6-3/8	Blue	L-MAL-CAP-1	L-FEM-CAP-1
4	125	X8344-5L	X8344-4L	16-3/8	6-3/8	14-3/16	6-3/8	Red	L-MAL-CAP-1	L-FEM-CAP-1
2	160	X8345-5L	X8345-6L	16-3/8	6-3/8	14-3/16	6-3/8	Orange	L-MAL-CAP-1	L-FEM-CAP-1
2/0	225	X8346-2L	X8346-1L	16-1/8	6-3/8	16-1/8	6-3/8	Black	L-MAL-CAP-1	L-FEM-CAP-2
4/0	325	X8347-2L	X8347-1L	7-5/16	21-15/16	7-5/16	19-3/4	Black	N/A	N/A

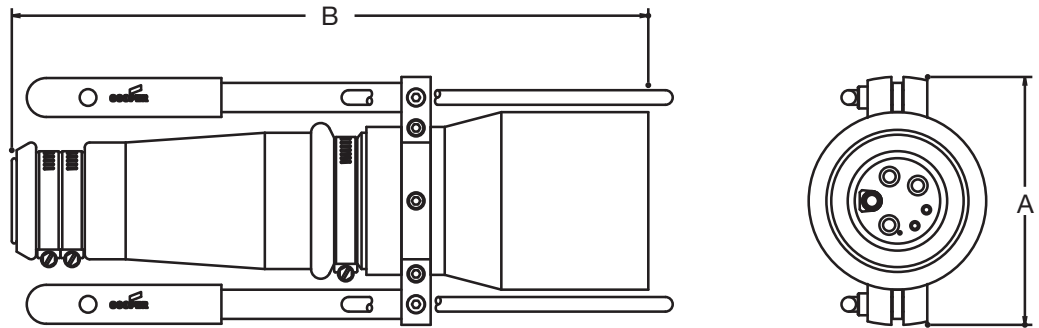
*Note: Contact factory about 400 MCM option

"L" Series lever action connector is a one-piece neoprene molded body that provides rugged, durable, and reliable service.

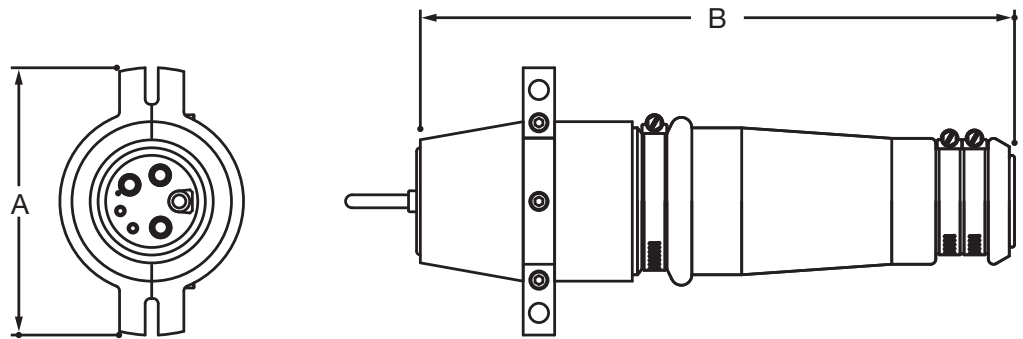
Color-coded male and female plugs support easy identification of circuit ampacity ratings.

Approvals

CSA Certified on file #LR - 13963.



Male



Female

SET SCREW KITS

PART NUMBER	DESCRIPTION
K3318346	X8343 SERIES LONG SET SCREW KIT
K3318347	X8344 SERIES LONG SET SCREW KIT
K3318348	X8345 SERIES LONG SET SCREW KIT
K3318349	X8346 SERIES LONG SET SCREW KIT
K3318350	X8347 SERIES LONG SET SCREW KIT

† This is connector rating only. Operating rating must be based on cable capacity.