

## 1

**Mushroom Head Pushbuttons****Product Description**

Eaton's M22 mushroom head operators are a durable and unique way to include standard pushbutton functionality. Like the standard pushbutton line, the maintained pushbuttons are field convertible to momentary. They also offer laser engraving and a robust five million mechanical operations on the standard momentary operator. As with all operators, they can be ordered as a ready to install complete device or as modular components.

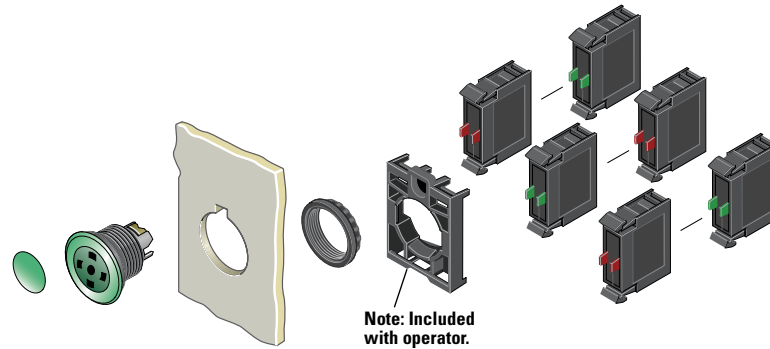
**Features**

- Field convertible from maintained to momentary (available on maintained pushbuttons only)
- Customizable laser engraving on all buttons
- More than five million mechanical operations on momentary and one million on maintained pushbuttons
- Modular construction makes assembly fast and simplifies stocking of components and complete devices
- Capable of communicating via ASi protocol with ASi adapter modules

**Protection Type**

- IP67, IP69K
- NEMA 4X, 13

**Non-Illuminated Mushroom Head Pushbuttons, Momentary ①**



**Components**

**M22-XDP-G**



**Mushroom Head Plates**

Color	Inscription	Catalog Number
Black	—	<b>M22-XDP-S</b> ②
	Custom	<b>M22-XDP-S-ETCH</b> ③
	STOP	<b>M22-XDP-S-GB0</b>
	START	<b>M22-XDP-S-GB1</b>
	FORWARD	<b>M22-XDP-S-GB15</b>
	REVERSE	<b>M22-XDP-S-GB16</b>
	UP	<b>M22-XDP-S-GB3</b>
	DOWN	<b>M22-XDP-S-GB4</b>
	OFF	<b>M22-XDP-S-GB5</b>
	ON	<b>M22-XDP-S-GB6</b>
	⊙	<b>M22-XDP-S-X0</b>
	①	<b>M22-XDP-S-X1</b>
	+	<b>M22-XDP-S-X4</b>
	−	<b>M22-XDP-S-X5</b>
	①	<b>M22-XDP-S-X7</b>
Red	—	<b>M22-XDP-R</b> ②
	Custom	<b>M22-XDP-R-ETCH</b> ③
	STOP	<b>M22-XDP-R-GB0</b>
	OFF	<b>M22-XDP-R-GB5</b>
Green	—	<b>M22-XDP-G</b> ②
	Custom	<b>M22-XDP-G-ETCH</b> ③
	START	<b>M22-XDP-G-GB1</b>
	ON	<b>M22-XDP-G-GB6</b>
	⊙	<b>M22-XDP-G-X0</b>
White	—	<b>M22-XDP-W</b> ②
	Custom	<b>M22-XDP-W-ETCH</b> ③
	—	<b>M22-XDP-Y</b> ②
Yellow	—	<b>M22-XDP-Y</b> ②
	Custom	<b>M22-XDP-Y-ETCH</b> ③

**M22-DP-G-X**



**Insertless Mushroom Head Operators**

Bezel	Color	Catalog Number
Silver	Black	<b>M22-DP-S-X</b>
	Red	<b>M22-DP-R-X</b>
	Green	<b>M22-DP-G-X</b>
	Yellow	<b>M22-DP-Y-X</b>
Black	Black	<b>M22S-DP-S-X</b>
	Red	<b>M22S-DP-R-X</b>
	Green	<b>M22S-DP-G-X</b>
	Yellow	<b>M22S-DP-Y-X</b>
Metal	Black	<b>M22M-DP-S-X</b>
	Red	<b>M22M-DP-R-X</b>
	Green	<b>M22M-DP-G-X</b>
	Yellow	<b>M22M-DP-Y-X</b>

**M22-K10**



**Contact Blocks ④**

Terminal Type	Contact Configuration ⑤	Catalog Number
Screw	NO	<b>M22-K10</b>
	NO, early-make	<b>M22-K10P</b>
	NC	<b>M22-K01</b>
	NC, late-break	<b>M22-K01D</b>
Spring-cage	NO	<b>M22-CK10</b>
	NC	<b>M22-CK01</b>
	NC, late-break	<b>M22-CK01D</b>
	2NO	<b>M22-CK20</b>
	2NC	<b>M22-CK02</b>
	NO-NC	<b>M22-CK11</b>

**Notes**

- ① 35 mm diameter mushroom head button.
- ② Minimum order quantity of (10).
- ③ When ordering, specify inscription per catalog number suffix from the Symbols Library (see **Pages V7-T1-129 to V7-T1-136**) into the Order Notes. For example, M22-XDP-S-ETCH; Order Notes: Mark with symbol X91, Line item #\_.
- ④ For complete listing of available contact blocks, see Accessories, **Pages V7-T1-111 to V7-T1-116**.
- ⑤ All NC contact blocks are positively driven contact. ⊖