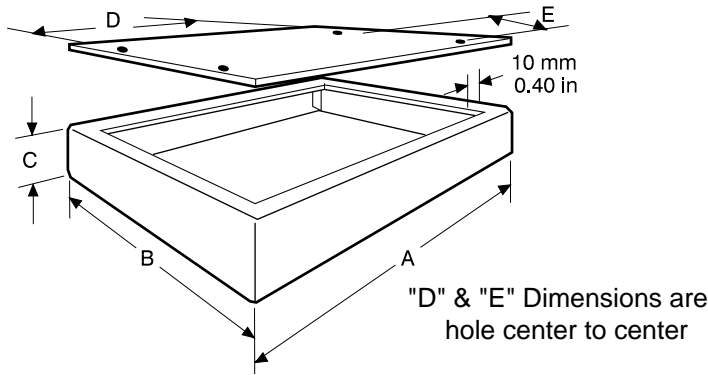


Steel Chassis (1441 & 1431 Series)



Part Number				Gauge	Units	Dimensions				
Grey Chassis	Grey Cover	Black Chassis	Black Cover			A	B	C	D	E
1441-6	1431-6	1441-6BK3	1431-6BK3	20	inch	4	4	2	3.6	3
					mm	102	102	51	92	76
1441-8	1431-8	1441-8BK3	1431-8BK3	20	inch	6	4	2	5.6	3
					mm	152	102	51	143	76
1441-12	1431-12	1441-12BK3	1431-12BK3	20	inch	7	5	2	6.6	3
					mm	178	127	51	168	76
1441-9	1431-10	1441-9BK3	1431-10BK3	20	inch	8	4	1	7.6	3
					mm	203	102	25	194	76
1441-10	1431-10	1441-10BK3	1431-10BK3	20	inch	8	4	2	7.6	3
					mm	203	102	51	194	76
1441-14	1431-14	1441-14BK3	1431-14BK3	20	inch	9	5	2	8.6	3
					mm	229	127	51	219	76
1441-15	1431-16	1441-15BK3	1431-16BK3	20	inch	10	6	1	9.6	4
					mm	254	152	25	244	102
1441-16	1431-16	1441-16BK3	1431-16BK3	20	inch	10	6	2	9.6	4
					mm	254	152	51	244	102
1441-22	1431-22	1441-22BK3	1431-22BK3	20	inch	12	8	2	11.6	6
					mm	305	203	51	295	152
1441-24	1431-22	1441-24BK3	1431-22BK3	20	inch	12	8	3	11.6	6
					mm	305	203	76	295	152
1441-29	1431-29	1441-29BK3	1431-29BK3	20	inch	12	10	2	11.6	8
					mm	305	254	51	295	203
1441-18	1431-18	1441-18BK3	1431-18BK3	20	inch	13.5	5	2	13.1	3
					mm	343	127	51	333	76
1441-26	1431-26	1441-26BK3	1431-26BK3	20	inch	16	8	2	15.6	6
					mm	406	203	51	397	152
1441-28	1431-26	1441-28BK3	1431-26BK3	20	inch	16	8	3	15.6	6
					mm	406	203	76	397	152
1441-20	1431-20	1441-20BK3	1431-20BK3	20	inch	17	4	3	16.6	3
					mm	432	102	76	422	76
1441-30	1431-30	1441-30BK3	1431-30BK3	20	inch	17	10	2	16.6	8
					mm	432	254	51	422	203
1441-32	1431-30	1441-32BK3	1431-30BK3	20	inch	17	10	3	16.6	8
					mm	432	254	76	422	203
1441-33	1431-30	1441-33BK3	1431-30BK3	20	inch	17	10	4	16.6	8
					mm	432	254	102	422	203
1441-34	1431-34	1441-34BK3	1431-34BK3	18	inch	17	12	2	16.6	10
					mm	432	305	51	422	254
1441-36	1431-34	1441-36BK3	1431-34BK3	18	inch	17	12	3	16.6	10
					mm	432	305	76	422	254
1441-38	1431-38	1441-38BK3	1431-38BK3	18	inch	17	14	3	16.6	12
					mm	432	356	76	422	305
1441-40	1431-38	1441-40BK3	1431-38BK3	18	inch	17	14	4	16.6	12
					mm	432	356	102	422	305
1441-42	1431-38	1441-42BK3	1431-38BK3	18	inch	17	14	5	16.6	12
					mm	432	356	127	422	305

KEY FEATURES

- Spot welded heavy duty construction chassis.
- Finished in ASA 61 smooth grey or satin black powder paint.
- Cover holes are punched with 4 holes – 3/16" diameter. Hardware not provided, please order separately - Part number **1421J6** (Pkg. of 6, 6-32 Philips head screws).

Metal



CANADA
Guelph, Ontario (519) 822-2960
St. Laurent, Quebec (514) 343-9010
USA
Cheektowaga, NY (716) 651-0086

www.hammondmfg.com

EUROPE
Basingstoke, UK +44 1256 812812

AUSTRALASIA
Queenstown, SA, Australia +61 8 8240 2244