

# 7 Multi-Gang Meter Sockets

## 200A Main 100A/200A per Position Underground Service Main Stud Type

### Product Specifications

- ◆ Underground service entrance positioning only.
- ◆ Two through six position models available
- ◆ Troughs are factory bussed for 200A from main lugs to the line side of all positions.
- ◆ Cable entry trough standard feature for ease of wiring.
- ◆ Left hand service entry only.
- ◆ Type 3R enclosure rating.
- ◆ CSA approved for copper or aluminum wiring.
- ◆ 4 Jaw configuration standard, optional 5<sup>th</sup> jaw available for 6 or 9 o'clock position mounting (See page 20).
- ◆ Compression (1/2" Stud) type main line and neutral lugs.

### Product Selection

**Table 19. 200A 600VAC Maximum Multi-Gang Underground Service Meter Socket**

| Catalogue Number | Mains Amperage (A) | Per Position Amperage (A) | Meter Positions  | Enclosure Rating | Knockouts (quantity & type) |                  | Weight lbs (kg)                                   | Dimensions in (mm)                                 | Lug Capacity (Cu/Al) |        |           |
|------------------|--------------------|---------------------------|------------------|------------------|-----------------------------|------------------|---|--|----------------------|--------|-----------|
|                  |                    |                           |                  |                  | Sides                       | Bottom           |   |  | Line                 | Load   |           |
| 2KNU1CLX         | 200                | 100                       | 2                | Type 3R          | (1) I                       | (3)H, (1)J, (1)A | 22 (10.0)   | 12-1/8 x 23-3/16 x 4-3/4 (308.0 x 589.0 x 120.7)   | 1/2" Stud            | #6-1/0 |           |
| 3KNU1CLX         |                    |                           | 3                |                  |                             | (4)H, (1)J, (1)A | 29 (13.8)   | 12-1/8 x 31 x 4-3/4 (308.0 x 787.4 x 120.7)        |                      |        |           |
| 4KNU1CLX         |                    |                           | 4                |                  |                             | (5)H, (1)J, (1)A | 38 (17.3)   | 12-1/8 x 38-5/8 x 4-3/4 (308.0 x 981.1 x 120.7)    |                      |        |           |
| 5KNU1CLX         |                    |                           | 5                |                  |                             | (6)H, (1)J, (1)A | 44 (20.0)   | 12-1/8 x 46-7/16 x 4-3/4 (308.0 x 1179.5 x 120.7)  |                      |        |           |
| 6KNU1CLX         |                    | 6                         | (7)H, (1)J, (1)A |                  |                             | 46 (20.9)        | 12-1/8 x 54-3/16 x 4-3/4 (308.0 x 1376.4 x 120.7) |  |                      |        |           |
| 2KU2CLX          |                    | 200                       | 2                |                  |                             | (3)I, (1)J, (1)A | 35 (15.9)   | 15-1/8 x 26-3/16 x 5-1/8 (384.2 x 660.6 x 130.2)   |                      |        | #6-250MCM |
| 3KU2CLX          |                    |                           | 3                |                  |                             | (4)I, (1)J, (1)A | 48 (21.8)   | 15-1/8 x 35 x 5-1/8 (384.2 x 889.0 x 130.2)        |                      |        |           |
| 4KU2CLX          |                    |                           | 4                |                  |                             | (5)I, (1)J, (1)A | 68 (30.9)   | 15-1/8 x 43-11/16 x 5-1/8 (384.2 x 1109.7 x 130.2) |                      |        |           |

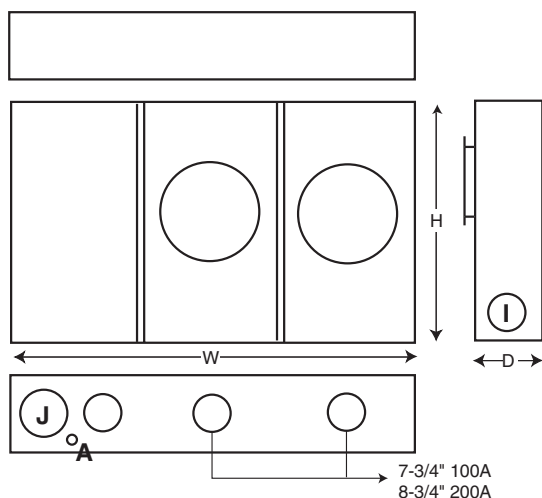
**Table 20. Conduit Knockout Legend**

| Knockout Code <sup>Ⓢ</sup> | Conduit Knockout Sizes         |
|----------------------------|--------------------------------|
| A                          | 1/2"                           |
| H                          | 1-1/4", 1-1/2", 2"             |
| I                          | 1-1/4", 1-1/2", 2", 2-1/2"     |
| J                          | 1-1/4", 1-1/2", 2", 2-1/2", 3" |

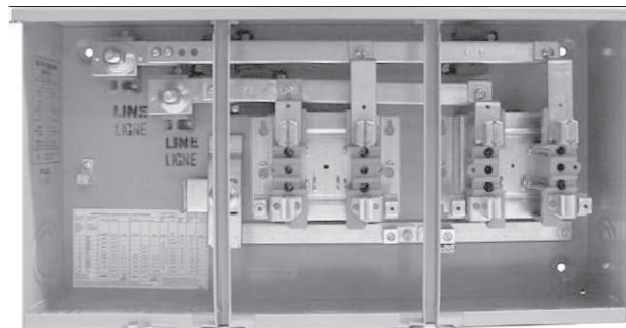
**Table 21. Neutral Lug Cable Capacities**

| Location    | Cable Size (Cu/Al) |
|-------------|--------------------|
| Main        | 1/2" Stud          |
| 100A Branch | #14-1/0            |
| 200A Branch | #6-250MCM          |

<sup>Ⓢ</sup> To determine knockout locations and quantity refer to knockouts column in table 9 and location map below.



**Figure 7. 200A Underground Service Multi-Gang Meter Socket Knockout Location Map**



**2KNU1CLX**