

## 240V AC Heavy Duty Double Throw, Fusible, Non-Fusible

### Specifications

- 30 through 800 amperes.
- Horsepower rated.
- Fusible and non-fusible.
- Loadbreak rated approved for fusible service entrance.
- CSA Certified and C-UL Listed.

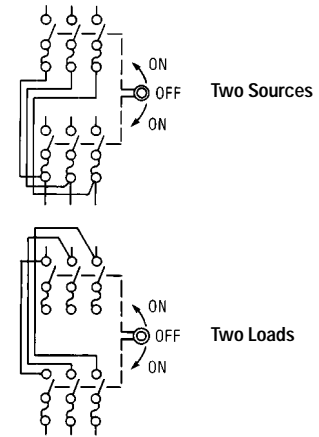
For accessory application options and dimensions see pages 50 to 55.

### Description

Double throw switches are designed to manually transfer a load from one power source to another, or to connect a signal source of power to either of two different loads. Fusible switch interior wiring can be changed in the field for feeding two loads with fuses on the load side of the switches. The handle operating mechanism actuates either the upper or lower switch. When the handle is in the centre both switches are OFF. The handle and door are interlocked to keep the door closed when a switch is ON and hold the handle OFF when the door is open.



3DT323



### Fusible

Amperes Main and Standby	Fuse Class Provision	Type 1 Enclosure Indoor	Type 3R Enclosure Rainproof	Maximum Horsepower Ratings with Time Delay Fuses						
		Catalogue Number	Catalogue Number	1-Phase AC			3-Phase AC			DC 250V
				240V	480V	600V	240V	480V	600V	
<b>2-Pole – 240V AC – 250V DC</b>										
200	H	1DT224	3DT224	15	—	—	—	—	—	40
<b>3-Pole – 240V AC – 250V DC</b>										
30	H	1DT321	3DT321	3	—	—	7-1/2	—	—	5
60	H	1DT322	3DT322	10	—	—	15	—	—	10
100	H	1DT323	3DT323	15	—	—	30	—	—	20
200	H	1DT324	3DT324	15	—	—	60	—	—	40
400	H	1DT325	—	—	—	—	125	—	—	50
600	T	1DT326	—	—	—	—	75	—	—	50

### Non-Fusible ①

Amperes Main and Standby	Type 1 Enclosure Indoor	Type 3R Enclosure Rainproof	Maximum Horsepower Ratings							
	Catalogue Number	Catalogue Number	1-Phase AC			3-Phase AC			DC 250V	
			240V	480V	600V	240V	480V	600V		
<b>Non-Fusible 2-Pole – 240V AC – 250V DC ①</b>										
30	1DT221NF	—	3	—	—	—	—	—	—	5
60	1DT222NF	—	10	—	—	—	—	—	—	10
100	1DT223NF	—	20	—	—	—	—	—	—	20
200	1DT224NF	3DT224NF	15	—	—	—	—	—	—	40
400	1DT225NF	3DT225NF	—	—	—	—	—	—	—	50
600	1DT226NF	—	—	—	—	—	—	—	—	—
<b>Non-Fusible 3-Pole – 240V AC – 250V DC ①</b>										
30	1DT321NF	—	3	—	—	10	—	—	—	5
60	1DT322NF	—	10	—	—	20	—	—	—	10
100	1DT323NF	3DT323NF	20	—	—	40	—	—	—	20
200	1DT324NF	3DT324NF	15	—	—	60	—	—	—	40
400	1DT325NF	—	—	—	—	125	—	—	—	50
600	1DT326NF	—	—	—	—	125	—	—	—	50
800	1DT327NF	—	—	—	—	125	—	—	—	50

### Non-Fusible 3-Pole – 240V AC – 250V DC ①

① **WARNING:** Non-fusible switch is not approved for service entrance.

### NOTES:

For 800A non-fusible DT with **NEUTRAL**, must be factory installed.

For 240V order as 1DT327NF-N. EEMAC 3R not available at 240V. Dimensions same as 4 pole 600A switch.

For 'J' Fusing on DT Type 240V, 30,60,100,400,600 not available. For 200A reposition loadside fuse block to accept J Fusing.