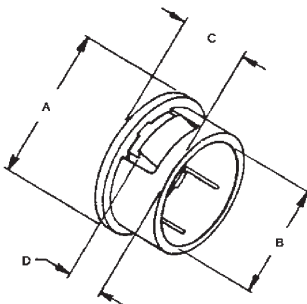


Rigid and Intermediate Metal Conduit Fittings

Knockout Bushings



3210 Series



One-piece knockout bushing quickly snaps into outlet box, switch box, or other enclosure left vacant by wiring modifications or maintenance changes. Provides smooth, rounded insulation surface for easy wire pulling. Easily installed by hand, they are available to fit 1/2 in. through 2 in. knockouts. UL Listed 105°C. High impact thermoplastic.

Application

- To bush knockout openings in metal boxes or enclosures

Features

- One piece construction designed to snap in place
- High impact strength self-extinguishing, non-dripping (per UL 94) thermoplastic construction

Range

- 0.875 in. through 2.469 in. nominal diameter knockout opening (1/2 in. through 2 in. trade size knockouts)
- Wall thickness of box or enclosure 0.095 in. max. up to 1 in. trade size. 0.140 in. max. 1-1/4 in. through 2 in. trade size

Standard Material

Thermoplastic rated for 105°C (221°F) application

Conformity

UL 514B
CSA C22.2 No. 18.3
NFPA 70-2008 (ANSI)

Standard Finish

As molded

KNOCKOUT BUSHING



Cat. No.	Trade Size (in.)	For use in KO* +0.032/-0.16 (in.)	A (in.)	B (in.)	Wall Thickness of Elec. Box (in.)	C (in.)	D (in.)
3210	1/2	0.875	1.000	0.725	0.095 MAX	0.360	0.180
3211	3/4	1.109	1.215	0.940			
3212	1	1.375	1.500	1.200			
3213	1-1/4	1.734	1.865	1.550	0.140 MAX	0.400	0.210
3214	1-1/2	1.984	2.240	1.760			
3215	2	2.469	2.740	2.245			

* Per UL and NEMA standards

Material: Thermoplastic

Flammability classification of 94V-1 Per UL 94

Service temperature: -40°C to 105°C

INSULINER® Sleeves



Slip over wires—insert into bushing—snaps into place

High dielectric nylon, 105°C.

An Insuliner® sleeve snapped into a regular bushing makes a CSA Listed insulated bushing. For standard rigid conduit, EMT (thinwall conduit) or any standard bushed outlet. Especially suitable for use with flexible metallic conduit.

Converts ordinary bushing to code approved insulated bushing without disturbing wiring.



Cat. No.	Size (in.)	Dimensions (in.)	
		A	B
422	1/2	5/8	0.022
423	3/4	11/16	0.025
424	1	7/8	0.040
425	1-1/4	1	
426-TB	1-1/2	1	0.050
427-TB	2	1-1/8	
428-TB	2-1/2	1-1/4	
429	3	1-1/2	0.035
430-TB	3-1/2	1-25/32	
431	4	2-1/32	
433	5	2-1/2	
434	6	2-1/2	

Oxygen index >28°