

Series 2000 Modular Console System - NEMA 12, 4, 4X

External Components

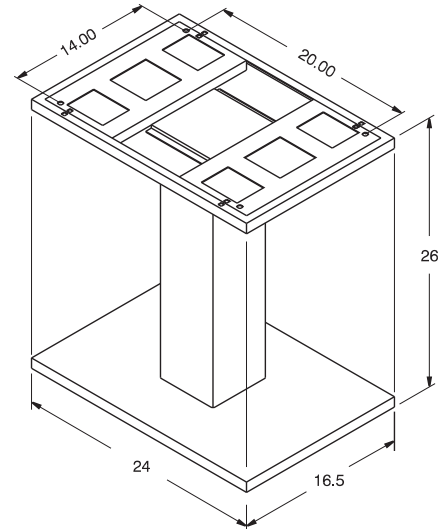
Operator Interface Enclosure



Pedestal

- Maintains NEMA rating of system.
- Formed 14 gauge steel.
- Also offered with formed 14 gauge stainless steel.
- Stiffeners added for solid stability.
- Open top and bottom provides an unobstructed wireway for pull through cabling.
- Can be mounted directly on floor or on a plinth.
- Available in light gray and natural stainless steel.

Part No.	Finish
2CLS	RAL 7035 Light Gray
2CSS	Stainless Steel

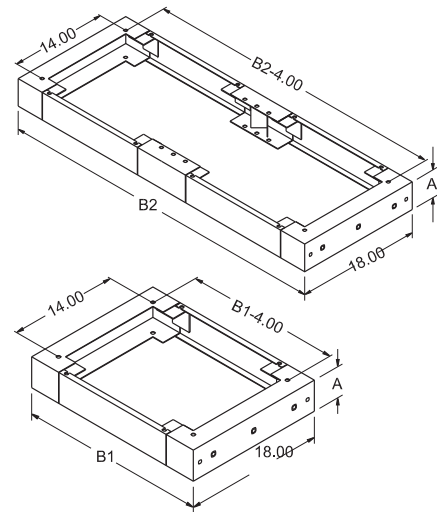


Modular Console System



Modular Plinth

- Features removable front and rear panels for easy access to bottom for cabling or transport by forklift.
- For cable access, features 3 double knockouts on each end. (**NOTE:** not on stainless steel version)
- Available in 4" and 8" heights.
- Available in 24", 36", 48" and 60" widths.
- Maintains NEMA rating of system.
- Formed 14 gauge steel.
- Also offered with formed 14 gauge stainless steel.
- Available in light gray and natural stainless steel.



RAL 7035 Light Gray Part No.	Stainless Steel Part No.	A	B1	B2
2CLP42418	2CSP42418	4	24	—
2CLP43618	2CSP43618	4	36	—
2CLP44818	2CSP44818	4	—	48
2CLP46018	2CSP46018	4	—	60
2CLP82418	2CSP82418	8	24	—
2CLP83618	2CSP83618	8	36	—
2CLP84818	2CSP84818	8	—	48
2CLP86018	2CSP86018	8	—	60