

# 1418 Series Freestanding Enclosures - NEMA 4, 12

## Accessories

Industrial Enclosures  
Freestanding Enclosures

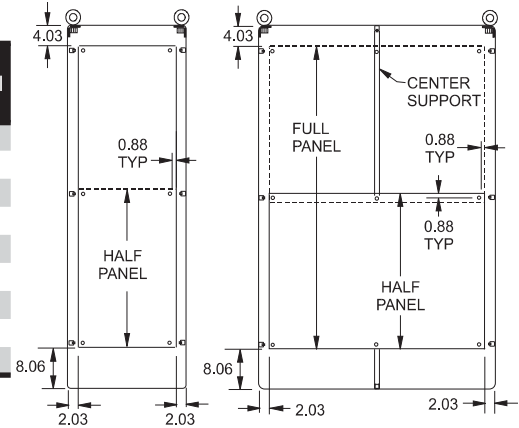
### Inner Panels

- Formed from 10 gauge or 12 gauge steel.
- All double door width panels are 10 gauge steel.
- Width panels are available in full or half height.
- Depth panels are available in full height only.
- Depth and width panels are provided with all mounting hardware and center support where required.
- Half panel can be mounted in the top or bottom half of the enclosure.
- Finished in white.

### Depth Panels

Part No.	Encl. Height	Encl.		
		Min Depth	Panel W	Panel H
60FD14	60	18	14	48
72FD9	72	18	9	60
72FD14	72	18	14	60
72FD20	72	24	20	60
72FD26	72	36	26	60
90FD9	90	18	9	78
90FD14	90	18	14	78
90FD20	90	24	20	78
90FD26	90	36	26	78

Side Mounted Panels for Single and Double Door Enclosures



Front View Single Door

Front View Double Door



### Single Door Width Panels

Steel Part No.	Galv. Steel Part No.	Description	Enclosure	Panel Size
60TWW	60TWWG	Full Panel	60 x 24	48.00 x 20
60TWHW	60TWHWG	Half Panel		24.87 x 20
72TWW	72TWWG	Full Panel	72 x 24	60.00 x 20
72TWHW	72TWHWG	Half Panel		30.87 x 20
90TWW	90TWWG	Full Panel	90 x 24	78.00 x 20
90TWHW	90TWHWG	Half Panel		39.87 x 20
72XFW	72XFWG	Full Panel	72 x 30	60.00 x 26
72XHW	72XHWG	Half Panel		30.87 x 26
60TYFW	60TYFWG	Full Panel	60 x 36	48.00 x 32
60TYHW	60TYHWG	Half Panel		24.87 x 32
72YFW	72YFWG	Full Panel	72 x 36	60.00 x 32
72YHW	72YHWG	Half Panel		30.87 x 32
90YFW	90YFWG	Full Panel	90 x 36	78.00 x 32
90YHW	90YHWG	Half Panel		39.87 x 32

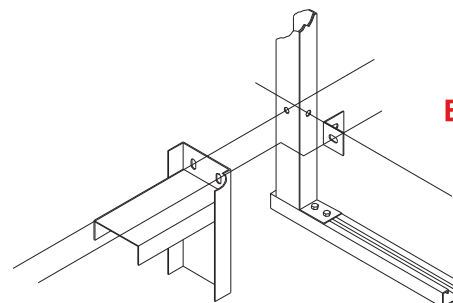
### Double Door Width Panels

Steel Part No.	Galv. Steel Part No.	Description	Enclosure	Panel Size
60AWFW	60AWFWG	Full Panel	60 x 48	48.00 x 44
60AWHW	60AWHWG	Half Panel		24.88 x 44
72ZFW	72ZFWG	Full Panel	72 x 48	60.00 x 44
72ZHW	72ZHWG	Half Panel		30.88 x 44
72ZXF	72ZXF	Full Panel	72 x 60	60.00 x 56
72ZXHW	72ZXHWG	Half Panel		30.88 x 56
72ZYFW	72ZYFWG	Full Panel	72 x 72	60.00 x 68
72ZYHW	72ZYHWG	Half Panel		30.88 x 68
90BFW	90BFWG	Full Panel	90 x 48	78.00 x 44
90BHW	90BHWG	Half Panel		39.88 x 44
90BYFW	90BYFWG	Full Panel	90 x 72	78.00 x 68
90BYHW	90BYHWG	Half Panel		39.88 x 68

### 1418 CS Series Center Panel Supports

- Adapts panels, swing frames, and panel rails from single door enclosures so they can be used on double door enclosures.
- Suitable for single or dual access double door enclosures.
- Center panel support mounts into front to back mounting channels (top and bottom) found in two door enclosures.
- Allows a combination of two 20" panels in a 48" wide enclosure, two 26" panels in a 60" wide enclosure, or two 32" panels in a 72" wide enclosure.
- Width is adjustable from 1.91" to 2.34".
- Support may be positioned at any depth within the enclosure.
- Finished in white.

Part No.	Enclosure Ht.
1418ACS	60
1418ZCS	72
1418BCS	90



Bottom View

Technical references and CAD downloads available at [www.hammondmfg.com](http://www.hammondmfg.com)

All dimensions in inches unless specified otherwise