

Metering Cabinets

NEMA 3R

Commercial Enclosures



**Inner
Panel
Included**



Application

- Designed for outdoor housing of metering transformers.

Standards

- CSA Approved, Type 3R
- **Complies with**
 - NEMA Type 3R
 - IEC 60529, IP24

Construction

- Formed and seam welded from 14 or 16 gauge steel.
- Smooth, continuously welded seams ground smooth.
- Formed lip on enclosure to exclude flowing liquids and contaminants.
- Padlockable “L” style handle.
- Oil resistant gaskets are permanently secured.
- Removable inner panel included.
- Collar studs provided for mounting inner panel.
- Doors may be easily removed for modifications and are interchangeable.
- Bonding stud provided on door and grounding stud installed in enclosure.
- Hinges are constructed from 304 stainless steel.
- Hinge pins are stainless steel.

Finish

- Cover and enclosure are phosphatized and finished with a recoatable ANSI 61 smooth Gray powder inside and out.
- Removable inner panel is finished in white powder coating.

Accessories

- Door stop kit
- Drip shield kits
- Mounting Foot Kit

Part No.	Overall Dimensions			Panel Dimensions		Type of Door	Ship Wt. lbs
	A	B	C	D	E		
C3RMC202010	20	20	10	18.17	18.17	Single	42
C3RMC271310	27	13	10	25.17	11.17	Single	38
C3RMC302010	30	20	10	28.17	18.17	Single	69
C3RMC303010	30	30	10	28.17	28.17	Double	92
C3RMC363612	36	36	12	34.17	34.17	Double	131
C3RMC484812	48	48	12	46.17	46.17	Double	210

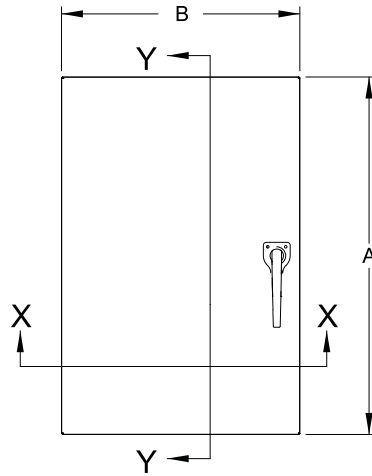
Technical references and CAD downloads available at www.hammondmfg.com

All dimensions in inches unless specified otherwise

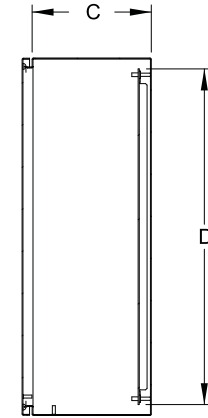
Metering Cabinets

Metering Cabinets
NEMA 3R

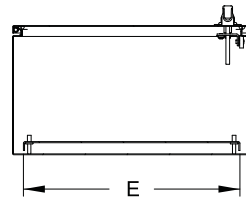
Single Door



Front View

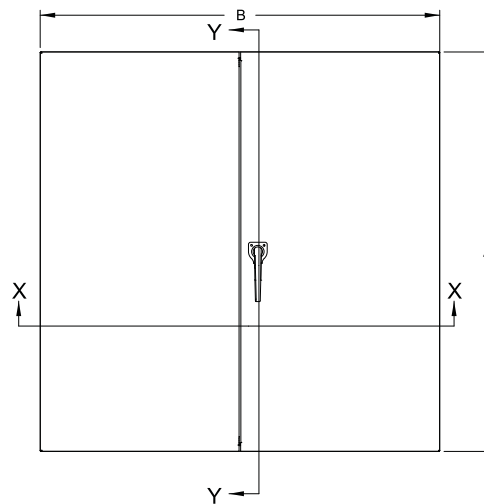


Section Y-Y

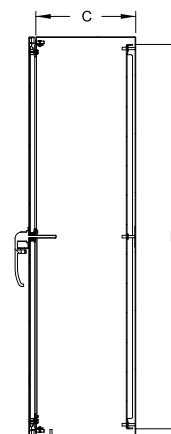


Section X-X

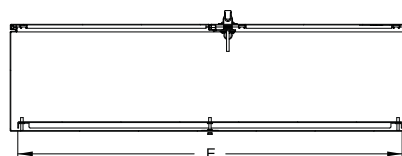
Double Door



Front View



Section Y-Y



Section X-X

Commercial Enclosures

Metering Cabinets