

1485 Series Lay-In Wireway - NEMA 12



Wireway & Trough

Application

- Designed to enclose and protect electrical wiring from dirt, dust, oil and water.
- All sections and fittings are completely open on each side to allow wires and cables to be placed into the wireway without “pulling through”.

Standards

- UL 870 Type 1 (unless marked1)
- CSA Type 1 (unless marked1)
- Complies with
 - NEMA Type 12
 - JIC EMP-1-1967
 - JIC EGP-1-1967
 - IEC 60529, IP54

Construction

- Bodies and covers are formed from 14-gauge steel with 10 gauge steel flanges.
- 12” x 6” size has a 12 gauge steel body with a 14-gauge cover.
- Smooth continuously welded seams.
- Interior surfaces are smooth to prevent wire damage during installation.
- Butt hinged cover is secured with easily operated quick release clamps.
- Oil resistant gaskets are permanently secured.
- Solid oil resistant gaskets are used between flanges when sections and fittings are bolted together.
- One gasket kit, complete with hardware is provided with each straight section or fitting.
- Sealing plate is supplied.
- Flange junctions are sealed with gasket sealing plates, which are put in place after wiring is completed. One is supplied with all straight sections and most fittings; see table for exact number.

Finish

- Sections and components are finished in ANSI 61 gray powder coating.

Notes

- When joining a wireway section or fitting to an enclosure be sure to order a box connector.
- When joining two wireway sections, or joining a wireway section to a fitting, a flat sealing plate is required at each junction; necessary kits are supplied with each section and fitting. See table, extra kits may be ordered if necessary.
- When joining a lay-in wireway section or fitting to a closure plate, a box connector, or cut-off fitting, an angle sealing plate is required at each junction.
- Necessary kits are supplied with each section and fitting - see table. Extra kits, although not normally required, are necessary when joining lay-in wireway to a non-lay-in section or fitting section.

Lay-In Wireway

1485 Series Lay-In Wireway - NEMA 12

Wireway & Trough

Lay-In Wireway

Description	Sealing Plates Supplied	2.5 x 2.5 Part No.	4 x 4 Part No.	6 x 6 Part No.	8 x 8 Part No.	12 x 6 Part No.
6" Section	1 Flat	1485B6	1485C6	1485D6	1485E6	1485F6
12" Section	1 Flat	1485B12	1485C12	1485D12	1485E12	1485F12
24" Section	1 Flat	1485B24	1485C24	1485D24	1485E24	1485F24
36" Section	1 Flat	1485B36	1485C36	1485D36	1485E36	1485F36
48" Section	1 Flat	1485B48	1485C48	1485D48	1485E48	1485F48
60" Section	1 Flat	1485B60	1485C60	1485D60	1485E60	1485F60
120" Section	1 Flat	1485B120	1485C120	1485D120	1485E120	1485F120
60" Long Partition (Barrier)	—	—	1487CB60 ¹	1487DB60 ¹	1487EB60 ¹	1487DB60 ¹
1" Nipple	1 Flat	1485BM1	1485CM1	1485DM1	—	—
2" Nipple	1 Flat	1485BM2	1485CM2	1485DM2	—	—
3" Nipple	1 Flat	1485BM3	1485CM3	1485DM3	—	—
Box Entry Swivel Nipple	1 Angle	1485BV1	1485CV1	1485DV1	1485EV1	—
Standard Swivel Nipple	2 Angle	1485BV2	1485CV2	1485DV2	1485EV2	—
12" Transposition Clockwise	1 Flat	1485BZ12	1485CZ12	1485DZ12	1485EZ12	—
12" Transposition Counter-Clockwise	1 Flat	1485BZC12	1485CZC12	1485DZC12	1485EZC12	—
Flexible Fitting	None	1485BFF	1485CFF	1485DFF	1485EFF	—
Adjustable Fitting	1 Spec.	1485BX ¹	1485CX ¹	1485DX ¹	1485EX ¹	1485FX ¹
Cut-Off Fitting Lay-In	1 Flat	1485BW1 ¹	1485CW1 ¹	1485DW1 ¹	1485EW1 ¹	1485FW1 ¹
Cut-Off Fitting Non Lay-In	1 Angle	1485BW2 ¹	1485CW2 ¹	1485DW2 ¹	1485EW2 ¹	1485FW2 ¹
90° Elbow, Top Opening	1 Flat	1485B9N	1485C9N	1485D9N	1485E9N	1485F9N
90° Elbow, Inside Opening	1 Flat	1485B9P	1485C9P	1485D9P	1485E9P	1485F9P
90° Elbow, Outside Opening	1 Flat	1485B9Q	1485C9Q	1485D9Q	1485E9Q	1485F9Q
45° Elbow, Top Opening	1 Flat	1485B4N	1485C4N	1485D4N	1485E4N	1485F4N
45° Elbow, Inside Opening	1 Flat	1485B4P	1485C4P	1485D4P	1485E4P	—
45° Elbow, Outside Opening	1 Flat	1485B4Q	1485C4Q	1485D4Q	1485E4Q	—
Tee Fitting, Top Opening	2 Flat	1485BTN	1485CTN	1485DTN	1485ETN	1485FTN
Tee Fitting, Outside & Top Opening	2 Flat	1485BTQ	1485CTQ	1485DTQ	1485ETQ	—
Cross Fitting	3 Flat	1485BY	1485CY	1485DY	1485EY	1485FY
Reducer 4 x 4 to 2.5 x 2.5	None	—	1485CRE	—	—	—
Reducer 6 x 6 to 4 x 4	None	—	—	1485DRE	—	—
Reducer 8 x 8 to 6 x 6	None	—	—	—	1485ERE	—
Reducer 12 x 6 to 4 x 4	None	—	—	—	—	1485FREC
Reducer 12 x 6 to 6 x 6	None	—	—	—	—	1485FRED
Junction Box	1 Flat	1485BJ	1485CJ	1485DJ	1485EJ	—
Box Connector	1 Angle	1485BK ¹	1485CK ¹	1485DK ¹	1485EK ¹	1485FK ¹
Drop Hanger	None	1485BL1 ¹	1485CL1 ¹	1485DL1 ¹	1485EL1 ¹	—
Bracket Hanger	None	1485BL2 ¹	1485CL2 ¹	1485DL2 ¹	1485EL2 ¹	—
Cover Plate	1 Angle	1485BH ²	1485CH ²	1485DH ²	1485EH ²	1485FH ²
Snap On Flat Sealing Plate	None	1485BSM ²	1485CSM ²	1485DSM ²	1485ESM ²	1485FSM ²
Angle Sealing Plate	None	1485BS9 ²	1485CS9 ²	1485DS9 ²	1485ES9 ²	1485FS9 ²

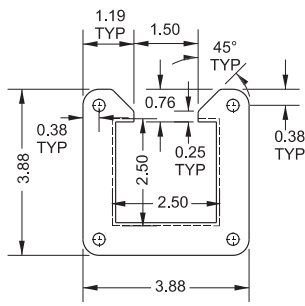
¹ Does not meet CSA or UL requirements

² Maintains ratings on CSA and UL approved wireway

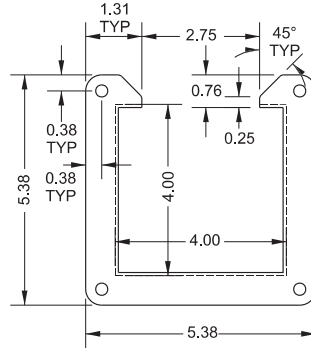
1485 Series Lay-In Wireway - NEMA 12

Wireway & Trough

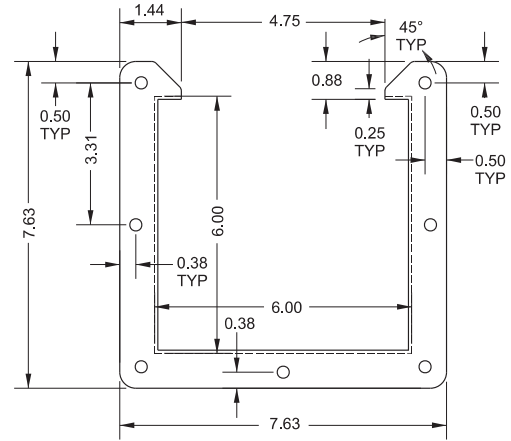
Lay-In Wireway



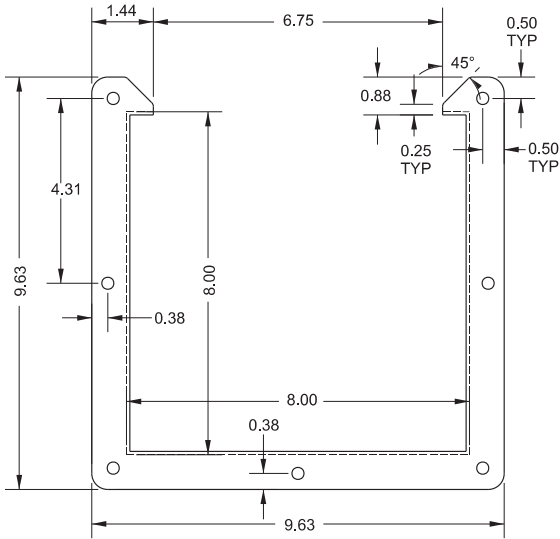
2.5 x 2.5



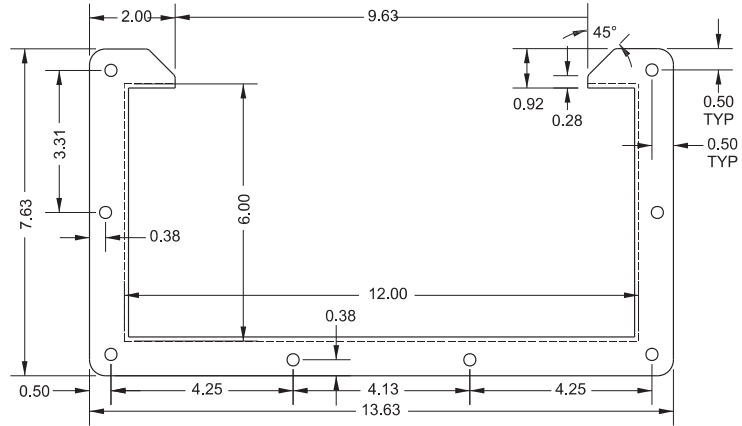
4 x 4



6 x 6



8 x 8

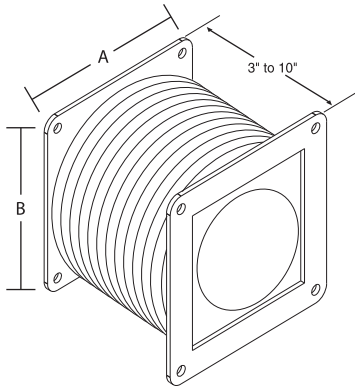


12 x 6

All unmarked diameters are 0.28
All unmarked radii are 0.38

1485 Series Lay-In Wireway - NEMA 12

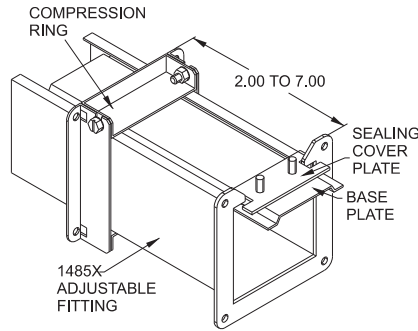
Wireway & Trough



Flexible Fitting

- Allows for easy alignment of sections or fittings
- Metal flanges
- Flexible synthetic "bellows" middle section

Part No.	A	B
1485BFF	2.5	2.5
1485CFF	4	4
1485DFF	6	6
1485EFF	8	8

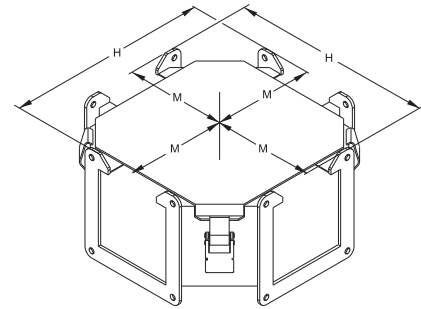


Adjustable Fitting

- Allows on site length adjustment of 2" to 7"

Part No.	Size
1485BX	2.5 x 2.5
1485CX	4 x 4
1485DX	6 x 6
1485EX	8 x 8
1485FX	12 x 6

One special sealing plate included
Does not meet CSA or UL requirements

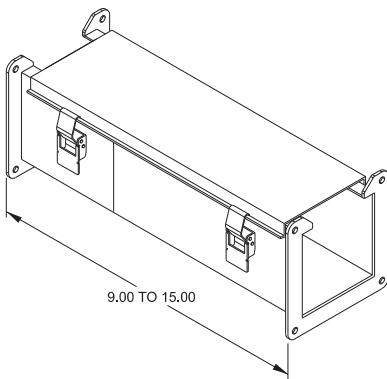


Cross Fitting

Part No.	Size	H	M
1485BY	2.5 x 2.5	8.50	4.25
1485CY	4 x 4	10.00	5.00
1485DY	6 x 6	12.00	6.00
1485EY	8 x 8	14.00	7.00
1485FY	12 x 6	18.00	9.00

Three flat sealing plates included

Lay-In Wireway

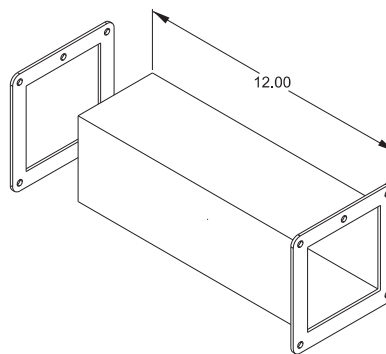


Cut-Off Fitting (Lay-In)

- Body comes in two pieces. Cut-off one piece, shorten cover, and weld together.
- Includes angle sealing plate.

Part No.	Size
1485BW1	2.5 x 2.5
1485CW1	4 x 4
1485DW1	6 x 6
1485EW1	8 x 8
1485FW1	12 x 6

One flat sealing plate included
Does not meet CSA or UL requirements

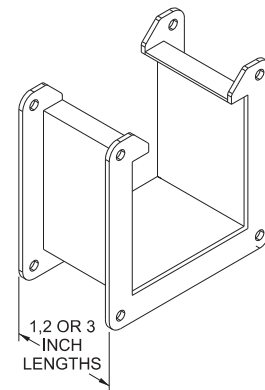


Cut-Off Fitting (Non Lay-in)

- For lengths up to 12". Cut off body and weld on flange.

Part No.	Size
1485BW2	2.5 x 2.5
1485CW2	4 x 4
1485DW2	6 x 6
1485EW2	8 x 8
1485FW2	12 x 6

One angle sealing plate included
Does not meet CSA or UL requirements



Typical Nipple

- Lay-in nipples come with a special sealing plate which cannot be used adjacent to swivel nipples (use 1487 Series nipples)

1" Nipple Part No.	2" Nipple Part No.	3" Nipple Part No.	Size
1485BM1	1485BM2	1485BM3	2.5 x 2.5
1485CM1	1485CM2	1485CM3	4 x 4
1485DM1	1485DM2	1485DM3	6 x 6

One flat sealing plate included