

Type 4 Mild Steel Wallmount Disconnect Enclosure 1447SHK Series

Continuous Hinge Door (Flange w/ multi-vendor cutout) with Defeater Handle



Application

- Designed to house the following safety disconnect equipment:
 - ABB Controls flange-mounted variable depth operating mechanism for disconnect switches and circuit breakers. Also cable version for circuit breakers.
 - Allen Bradley 1494V variable depth flange mounted disconnect switches and circuit breaker operators. Will not accept Allen Bradley 1494F disconnect switches, 1494D circuit breaker operators.
 - C-H Westinghouse C361 flange mounted variable depth operating mechanism with disconnect switches and C371 flange mounted variable depth operating mechanisms for circuit breakers. Also Flex-Shaft™ handle mechanisms for circuit breakers.
 - General Electric Type STDA flange handles and variable depth operating mechanism for disconnect switches and circuit breakers. Also SpectraFlex™ cable operators for circuit breakers.
 - Siemens I-T-E Max-Flex™ flange mounted variable depth handles for disconnect switches and circuit breakers.
 - Square D class 9422 disconnect switches with flange mounted variable depth operating mechanisms or cable mechanisms and Class 9422 flange-mounted variable depth operating mechanisms or cable mechanisms for circuit breakers. Will not accept Square D Class 9422 bracket-mounted disconnect devices, 9422TG1 or TG2 devices

Standards

- UL 508 Type 4, 12, and 13
- CSA Type 4, 12, and 13
- Complies with
 - NEMA Type 4, 12 and 13
 - JIC EGP-1-1967
 - IEC 60529, IP54
 - Appropriate components are required to maintain these standards.

Construction

- Formed 14-gauge steel.
- Continuously welded seams.
- Larger sizes include door and body stiffeners.
- Welded brackets provide for enclosure mounting.
- Formed lip on enclosure exclude flowing liquids and contaminants.
- Seamless poured-in place gasket.
- Cutouts and holes are provided to suit the flange handle operating mechanism.
- Continuously hinged doors may be removed by pulling the hinge pin.

- Pad lock defeater handle mechanism is provided along with latching rods and interlock brackets.
- Collar studs are provided for mounting inner panels.
- A removable 12 gauge inner panel is included.
- A bonding stud is provided on the door and a grounding stud is provided in the enclosure.
- A literature pocket is provided.

Finish

- Cover and enclosure are finished in ANSI61 gray powder coat finish inside and out.
- Inner panel finished in white powder coat finish.

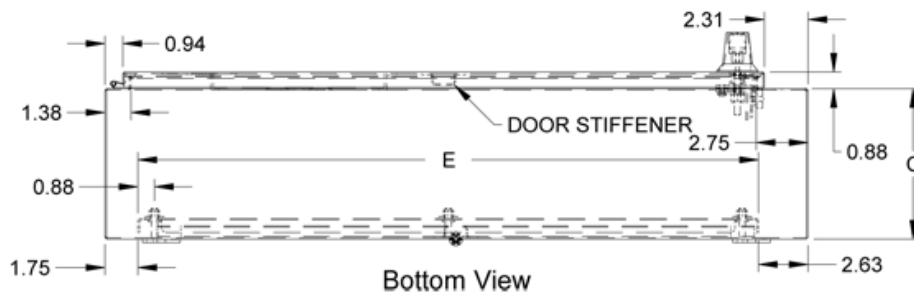
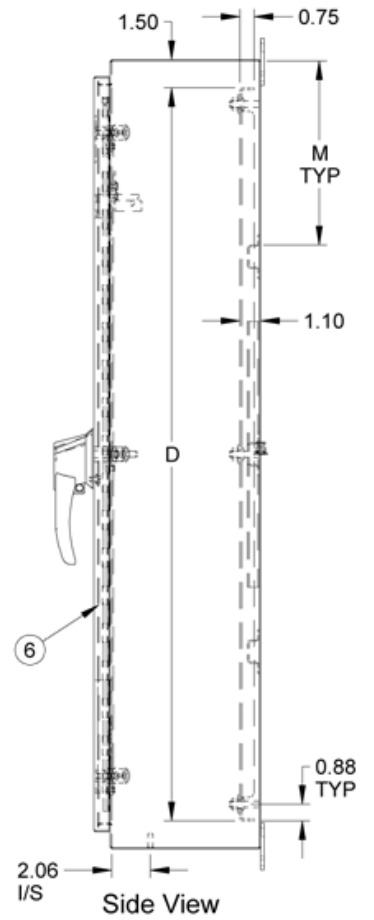
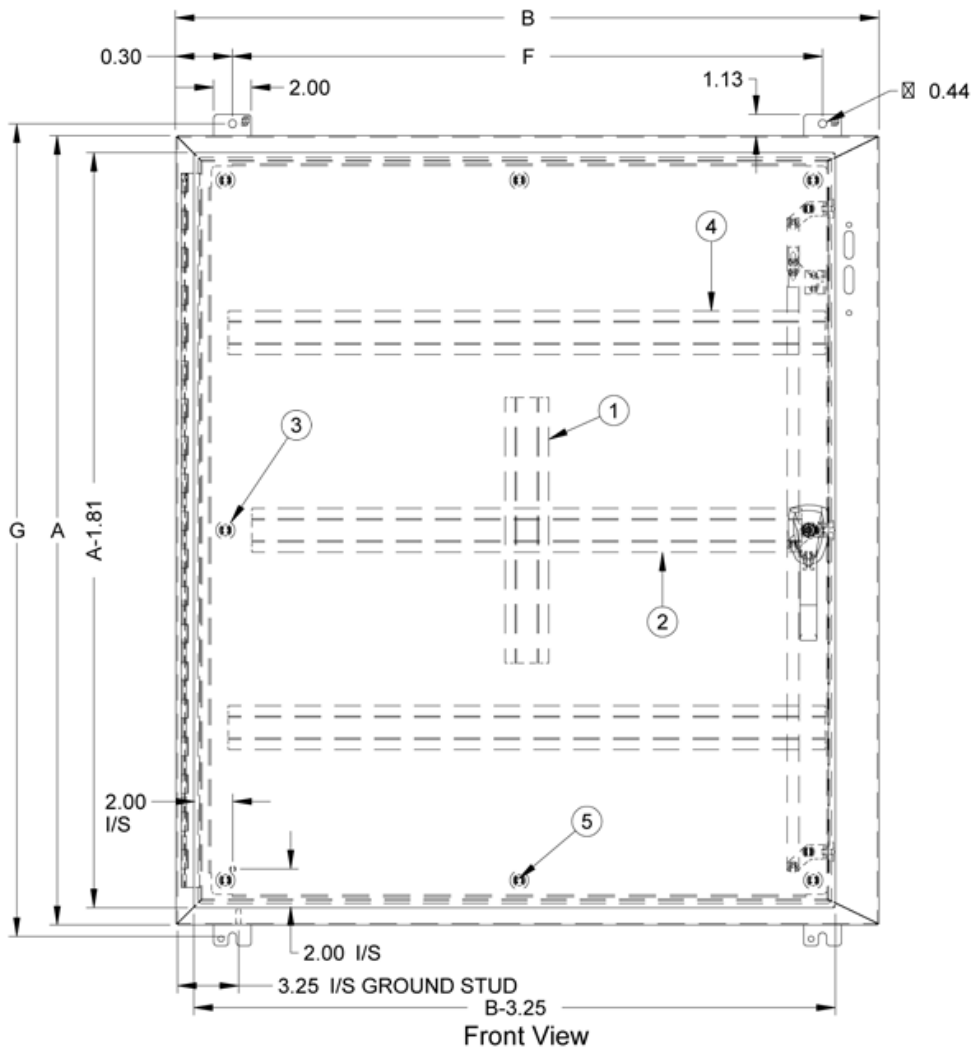
Note

- Disconnects, operating mechanisms are not provided with the enclosure, and must be ordered separately from the manufacturer.

Accessories

Inner Panels
Blowers and Fans
Door Stop Kit
Enclosure Stabilizers
Floor Stand Kit
Temperature Controls

Cooling Products
Ventilation
Drip Shield Kit
Filtered Fans
Heaters
Window Kits



Part No.	Panel Size					Mounting Center		G	Ship Wt. (lbs)	Center Stiffener ²
	A	B	C	D	E	F				
1447SA8HK	20.00	21.38	8.00	17.00	17.00	15.38		21.25	60	N
1447SB8HK	24.00	21.38	8.00	21.00	17.00	15.38		25.25	57	N
1447SC8HK	24.00	25.38	8.00	21.00	21.00	19.38		25.25	65	N
1447SD8HK	30.00	21.38	8.00	27.00	17.00	15.38		31.25	68	N
1447SE8HK	30.00	25.38	8.00	27.00	21.00	19.38		31.25	76	N
1447SF8HK	36.00	25.38	8.00	33.00	21.00	19.38		37.25	76	N
1447SG8HK	36.00	31.38	8.00	33.00	27.00	25.38		37.25	79	N
1447SH8HK	42.00	31.38	8.00	39.00	27.00	25.38		43.25	85	I
1447SJ8HK	42.00	37.38	8.00	39.00	33.00	31.38		43.25	92	I
1447SK8HK	48.00	37.38	8.00	45.00	33.00	31.38		49.25	95	I
1447SL8HK	60.00	37.38	8.00	57.00	33.00	31.38		61.25	105	I
1447SA10HK	20.00	21.38	10.00	17.00	17.00	15.38		21.25	103	N

Part No.	Panel Size					Mounting Center		Ship Wt. (lbs)	Center Stiffener ²
	A	B	C	D	E	F	G		
1447SB10HK	24.00	21.38	10.00	21.00	17.00	15.38	25.25	103	N
1447SC10HK	24.00	25.38	10.00	21.00	21.00	19.38	25.25	124	N
1447SD10HK	30.00	21.38	10.00	27.00	17.00	15.38	31.25	129	N
1447SE10HK	30.00	25.38	10.00	27.00	21.00	19.38	31.25	133	N
1447SF10HK	36.00	25.38	10.00	33.00	21.00	19.38	37.25	153	N
1447SG10HK	36.00	31.38	10.00	33.00	27.00	25.38	37.25	138	N
1447SH10HK	42.00	31.38	10.00	39.00	27.00	25.38	43.25	146	I
1447SJ10HK	42.00	37.38	10.00	39.00	33.00	31.38	43.25	153	I
1447SQ10HK	48.00	25.40	10.00	45.00	21.00	19.38	49.30	168	N
1447SK10HK	48.00	37.38	10.00	45.00	33.00	31.38	49.25	157	I
1447SL10HK	60.00	37.38	10.00	57.00	33.00	31.38	61.25	196	I
1447SE12HK	30.00	25.38	12.00	27.00	21.00	19.38	31.25	203	N
1447SG12HK	36.00	31.38	12.00	33.00	27.00	25.38	37.25	218	N
1447SH12HK	42.00	31.38	12.00	39.00	27.00	25.38	43.25	153	I
1447SJ12HK	42.00	37.38	12.00	39.00	33.00	31.38	43.25	175	I
1447SK12HK	48.00	37.38	12.00	45.00	33.00	31.38	49.25	183	I
1447SL12HK	60.00	37.38	12.00	57.00	33.00	31.38	61.25	223	I
1447SG16HK	36.00	31.38	16.00	33.00	27.00	25.38	37.25	203	N
1447SH16HK	42.00	31.38	16.00	39.00	27.00	25.38	43.25	251	I
1447SJ16HK	42.00	37.38	16.00	39.00	33.00	31.38	43.25	258	I
1447SK16HK	48.00	37.38	16.00	45.00	33.00	31.38	49.25	268	I
1447SL16HK	60.00	37.38	16.00	57.00	33.00	31.38	61.25	268	I

Data subject to change without notice