

L3/L3R L3LED T24/ L3RLED T24



Intended Use

Recessed incandescent housings for 2x8 and 2x6 new construction (L3 and L3LED T24) or remodel (L3R and L3RLED T24) applications. Approved for direct burial in insulation and all ceiling and wiring types.

Features

- Recessed housing rated IC/NON-IC for new construction or remodel applications
- L3 and L3LED T24: Air-tight, galvanized steel pan with aluminum can and junction box
- L3R and L3RLED T24: Air-tight, aluminum housing with heavy-gauge galvanized steel raceway arm utilizing remodel clips for installation in plaster, sheetrock or mechanical ceilings

- Retaining clips are riveted to top of reflector to hold trim inside housing
- Two side-mounted torsion springs on the trim and two receiving brackets in the can ensure a tight fit
- Suitable for ceilings up to 1 - 1/2" thick
- 120V applications
- Compatible with Acculamp™ LED lamps; see pages 1044-1049 for options

Listings

UL Listed to U.S. and Canadian safety standards.



Example: L3 3B1

ORDERING INFORMATION

Specifications subject to change.

Series	Reflector	Options
L3 New construction rough-in	Choose reflector below. Housing and reflector may be ordered separately.	PHC Poke-home wire connectors
L3R Remodel rough-in		GSKT Foam gasketing aids in air-tight installation
L3LED T24 New construction rough-in LED base (see p. 467 for 4" LED module options)		
L3RLED T24 Remodel rough-in LED base (see p. 467 for 4" LED module options)		

IC/NON-IC Rated Full Reflectors: All reflectors are damp location listed. WETlite™ is wet location listed. Lamp types and maximum wattages are listed for each reflector. White flange standard, except as noted.

Open narrow flange	Shallow baffle	Deep baffle	Adjustable eyeball
301 White	3B1 Black, white flange	3B2 Black, white flange	25° Vertical tilt
301MW Matte white	3B1 TRMW Black, matte white flange	3B2W White, white flange	3E1 White
301A Clear diffuse, white plastic flange	3B1W White		3E1MW Matte white
301AZ Clear specular, white plastic flange	3B1MW Matte white		3E1BN Brushed nickel ¹
301A PFMW Clear diffuse, matte white plastic flange	3B1BN Brushed nickel ¹		3E1ORB Oil-rubbed bronze ¹
301BN Brushed nickel ¹	3B1ORB Oil-rubbed bronze ¹		
301ORB Oil-rubbed bronze ¹			
IC	IC	IC	IC
35 PAR20	30 R20	30 R20 (white only)	50 R20
NON-IC	35 PAR20	NON-IC	NON-IC
50 PAR20	50 R20 (white only)	50 PAR20 (black only)	50 PAR20
	50 PAR20 (white only)	50 R20 (black only)	

Wallwash	Pinhole	WETlite™
3W1 White	3S1 White	3H20 White
		3H20MW Matte white
		3H20BN Brushed nickel ¹
		3H20ORB Oil-rubbed bronze ¹
NON-IC	IC	IC
50 R20	35 PAR20	75 PAR30
50 PAR20	NON-IC	(Outdoor rated; lamp included)
	50 PAR20	

ADDITIONAL INFORMATION

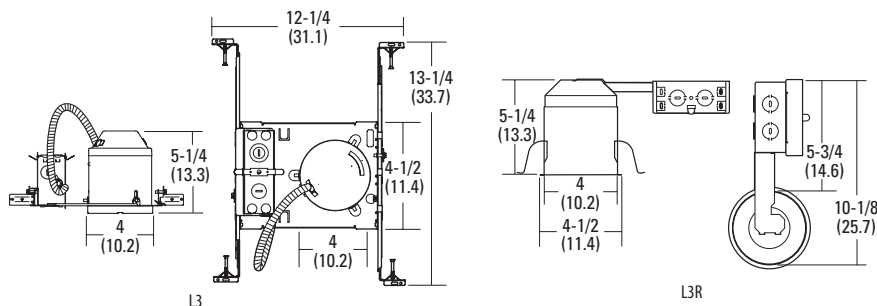
For additional product information, visit www.lithonia.com.

ACCESSORIES

ORDER SEPARATELY

CTR3	4" goof ring, white
ATK3	4" air-tight trim kit

Drawings are for dimensional detail only and may not represent actual mechanical configuration. Dimensions are shown in inches (centimeters) unless otherwise noted.



Notes

1 Flange matches trim finish. Please consult www.lithonia.com for a full listing of Contractor Select products.