

Switching Devices

Safety Switches

Safety Switch Selection Guide

Type	Voltage	Fuse Type	Fuse Class	Ampere Rating	Number of Poles ^③	Enclosure Type			Type 4 Painted Steel	Type 4X Stainless Steel	Type 4X Non Metallic	NEMA 7/9 Hazardous Location
						Type 1	Type 3R	Type 12 ^①				
Air Conditioning Disconnect	Max. 240Vac	Fusible	Cartridge	H	30 and 60	2	—	Yes	—	—	—	—
	Max. 240Vac	Non-Fusible	—	—	60	2	—	Yes	—	—	—	—
		Moulded Case Switch	—	—	60	2	—	—	Yes	—	—	—
	Max. 600Vac	Non-Fusible	—	—	30-80	3	—	Yes	—	—	—	—
General Duty	Single Throw	Fusible	Plug	—	30	1 and 2	Yes	Yes	—	—	—	—
	Max. 240Vac	Cartridge	—	—	30-600	2 and 3	Yes	Yes	—	—	—	—
		Non-Fusible	—	—	30-600	2 and 3	Yes	Yes	—	—	—	—
Heavy Duty	Single Throw	Fusible	Cartridge	H	30-600	2, 3, and 4	Yes	Yes	Yes ^{①②}	Yes ^②	Yes ^②	—
	Max. 600Vac	Non-Fusible	—	—	800-1200	Up to 1200A	Yes	Up to 1200A	Up to 1200A	400-1200A	Up to 1200A	—
		250 Vdc & 600 Vdc	Non-Fusible	—	—	30-1200	2, 3, and 4	Yes	Yes	Yes ^{①②}	Yes ^②	Yes ^②
6-Pole Motor Circuit^②	Single Throw	Fusible	Cartridge	H	30-200	6	—	Yes	Yes ^{①②}	—	Yes ^②	—
	Max. 600Vac	Non-Fusible	—	—	30-200	6	—	Yes	Yes ^{①②}	—	Yes ^②	—
Double Throw^③	Max. 600VAV 250Vdc	Fusible	Cartridge	H	30-200	2 and 3	Yes	Yes	Yes ^{①②}	Yes ^②	Yes ^②	—
							Yes	Yes	Yes ^{①②}	Yes ^②	Yes ^②	—
							Yes	Yes	Yes ^{①②}	Yes ^②	Yes ^②	—
		Non-Fusible ^③	—	—	30-1200	3	Yes	Yes	Up to 400A	400-600A	Up to 200A	—
Enclosed Rotary Switches	Max. 600Vac	Non-Fusible	—	—	30-80	3	—	—	Yes ^①	—	Yes	Yes
Hazardous Location Disconnect Switch	Max. 600Vac 250Vdc	Fusible	Cartridge	J	30-100	3	—	—	—	—	—	—
		Non-Fusible	—	—	30-100	3	—	—	—	—	—	Yes
Enviroline All Stainless^②	Single Throw	Fusible	Cartridge	H	30-400	2 and 3	—	—	—	—	Yes ^②	—
	Max. 600Vac/ DC	Non-Fusible	—	—	30-400	3	—	—	—	—	Yes ^②	—
Viewing Window	Single Throw	Fusible	Cartridge	H	30-1200	2, 3, 4, 6	—	—	Yes ^①	Yes	Yes	—
	Max. 600Vac/ DC	Non-Fusible	—	—	30-1200	2, 3, 4, 6	—	—	Yes ^①	Yes	Yes	—
Receptacle (Pin & Sleeve)^②	Single Throw	Fusible	Cartridge	H	30-100	3	—	—	Yes ^{①②}	—	Yes ^②	—
	Max. 600Vac/ DC	Non-Fusible	—	—	60	3	—	—	Yes ^{①②}	—	Yes ^②	—
Quick Connect (Cam & Posi Lok)	Single Throw	Fusible	Cartridge	H	100-600	2, 3, and 4	Yes	Yes	—	—	—	—
							Yes	Yes	—	—	—	—
	Max. 600Vac	Non-Fusible	—	—	100-800	2, 3, and 4	Yes	Yes	—	—	—	—
								Yes	—	—	—	—
		w Fuse	Cartridge	H	100-200	2, 3, and 4	Yes	Yes	—	—	—	
			T	400-800	2, 3, and 4	Yes	Yes	—	—	—	—	
Solar	Single Throw	Fusible	—	R	30-600	1 (3)	—	Yes	Yes ^{①②}	Yes ^②	—	—
	Max. 600Vdc	Non-Fusible	—	—	30-600	1 (3)	—	Yes	Yes ^{①②}	Yes ^②	—	—

Notes

- ① Type 12 enclosures (30-1200 amperes) can be field modified to meet Type 3R rainproof requirements when a factory provided drain screw is removed.
- ② Optional windows also available with type 12 or 4/4X enclosures.
- ③ Double throw non-fusible 4 pole 30-800A, 6 pole 30-100A.

Product Overview

- Used to open or close a circuit
- Non-fusible safety switches provide a means to manually connect or disconnect the load from the source
- Fusible safety switches provide a means to manually open and close a circuit and provide overcurrent protection by means of installed fuses
- Fusible switches certified for use as service entrance equipment (unless noted)
- Also commonly referred to as a disconnect switch or disconnect

- Available from 30–1200A
- All Padlockable
- Horsepower rated
- 100% load break rated (unless noted)
- Non-Fusible switches are 100% continuous duty rated and fusible switches are 80% continuous duty rated per CSA C22.2 No.4

Standards and Certifications

- C22.2 No.4 File #69743
- C22.2 No.14 (Enclosed Rotary) File #162136
- Det Norske Veritas
- ISO 9001:2008
- CSA certified Class I, Div, 1 & 2, Groups B, C & D; Class II, Div 1 & 2, Groups E, G & F; Class III, Div 1 & 2, Zone 1, IIB + H2 for NEMA 7/9.
- Seismic qualified (UBC and CBC) for Heavy Duty 30-800A
- ISO 1400

**Fuse Clips/Class**

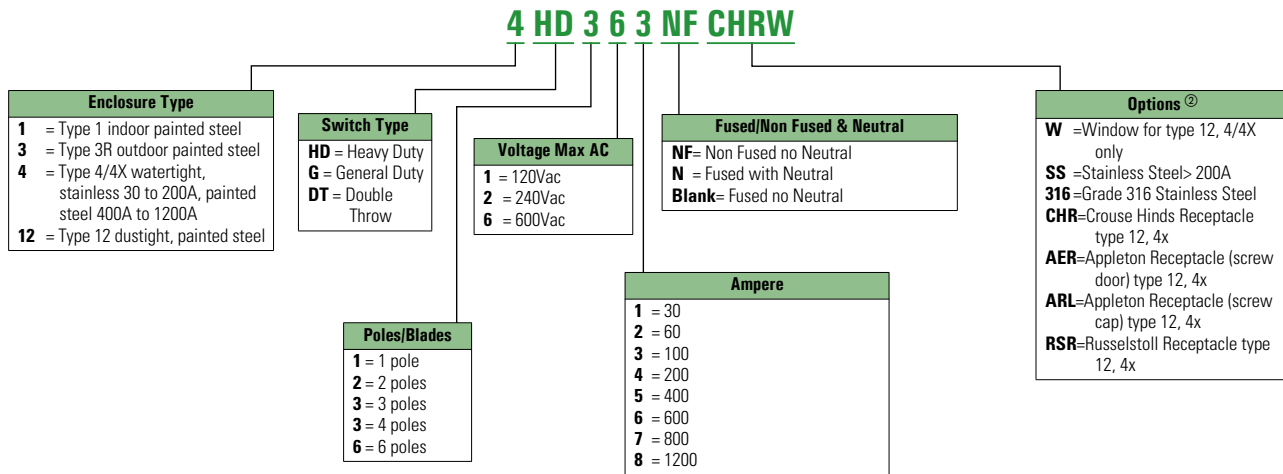
Adaptable to Accept the Following Fuse Class

Safety Switch Type	Standard Fuse Class Clips Supplied with Switch	Adaptable to Accept the Following Fuse Class		
		R	J	T
AC Disconnect	H	—	—	—
General Duty	H	30A-600A	400-600A	400-600A
Heavy Duty	H 30-600A L 800-1200A	30A-600A	240V-100-600A 600V-30-600A	200A-800A 1200A
Heavy Duty 6 Pole	H	30A-200A	60A-200A	200A
Double Throw	H 30-200A T 240V-600A-1200A T 600V-400A-800A L 600V-1200A	30A-400A	240V-200A Only 600V-200A-400A	240V-600A-1200A 600V-400A-1200A (Standard)
Enviroline All Stainless & Window	Same as Heavy Duty	Same as Heavy Duty		Same as Heavy Duty
Receptacle (Pin & Sleeve)	H	30A-100A	60A-100A	—
Solar	R	30A - 600A	—	—

Note: Refer to specific switch technical data page for field adaptation notes.

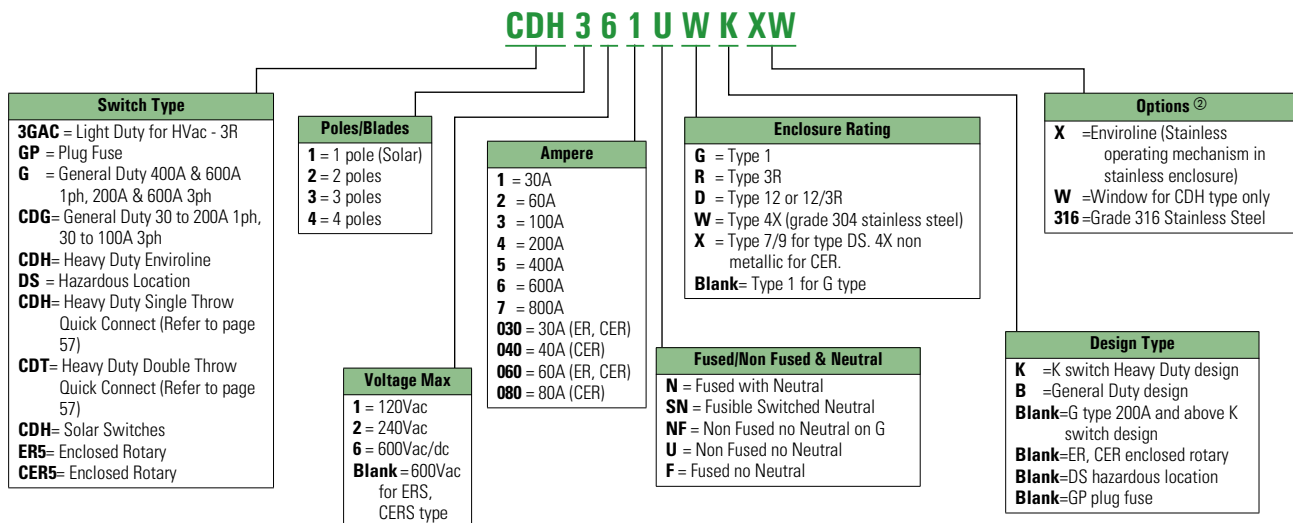
Catalogue Number Selection

Safety Switch



Notes

- ① Always verify the number of poles and wires required since catalogue numbers may appear in multiple tables.
 - ② See **Pages 12** through **14** for additional Flex Centre options.
- This table is intended for use in breaking down existing catalogue numbers. It is not intended for building new catalogue numbers.



Pin & Sleeve Type Receptacle Switch



Contents

Description	Page
Selection Guide	2
Product Overview	3
Catalogue Configurator	4
Options and Accessories	5
Technical Data and Specifications	7
Standard Terminal Capacities	7
Fuse Dimensions	8
Short Circuit Ratings	10
Flex/Satellite Modifications	12
Air Condition Disconnects	15
General Duty Switches	18
Heavy Duty Switches	22
Heavy Duty Six-Pole Switches	32
Heavy Duty Double Throw Switches	35
Enviroline Switches	41
Heavy Duty Window Switches	44
Heavy Duty Receptacle Switches	48
Product Description, Features	48
Standards and Certifications	48
Product Selection	49
Technical Data and Dimensions	50
Heavy Duty Voltage Indicator Switches	52
Hazardous Location Switches	54
Heavy Duty Quick Connect Switches	56
Solar Switches	60
Zone Blasting Switches	65
Elevator Control Switches	66
Grounding Switches	68
Enclosed Motor Disconnects	70
Pringle Bolted Pressure Switches	78
OEM Operating Mechanisms	85
CSA Enclosure Designations	91

Pin & Sleeve Receptacle Switches

Application Description

These switches are used with pin & sleeve type power plugs for portable power applications such as welders, infrared ovens, batch feeders, conveyors, truck and marine docks.

Product Description

These heavy-duty switches are pre-wired and interlocked to polarized receptacles for three-phase, three-wire, grounded type power plugs. Referred as 3W4P (4th pole used for grounding).

Receptacles are interlocked to the handle mechanism so that power plugs may not be inserted or removed when the switch is in the ON position.

- 30–100A
- 600Vac
- Fusible and non-fusible
- Type 12/3R painted steel, 4X stainless enclosure and receptacle rating
- 200A and 400A receptacles available upon request - Note 200A and 400A not mechanically interlocked

- Utilizes 3W 4P Style 2 Powertite®, Arktite®, or Max-Gard® series pin and sleeve receptacles
- Windows available upon request
- 3W 3P receptacles available upon request
- Receptacles with a 22.5 degree interior rotation available upon request
- Receptacles with reverse contacts available upon request
- Power plugs not supplied with the receptacle

Standards and Certifications

- CSA certified File No. 69743
- Meets C22.2 No.4 standard for enclosed switches
- ISO - 9001:2008



Product Selection

600 Vac Heavy-Duty, Single-Throw with Pin & Sleeve Type Receptacle, Fusible, Non-Fusible

DH362FDK2WR

**Safety Switch 3PH 3W with Pin and Sleeve Type Receptacle 3W4P, 600 Volt Single Throw—Fusible**

Ampere Rating			Type 12 Enclosure Dusttight Catalogue Number ^②	Type 4X Enclosure Corrosion Resistant, Stainless Steel Catalogue Number	Power Plug ^①
Switch	Receptacle	Maximum Horsepower Rating with Time Delay Fuses			
Crouse-Hinds ARKTITE® Receptacle					
30	30	20	12HD361CHR	4HD361CHR	Accepts Crouse-Hinds APJ3485
60	60	50	12HD362CHR	4HD362CHR	APJ6485
100	100	75	12HD363CHR	4HD363CHR	APJ10487
Appleton POWERTITE® Receptacle					
30	30	20	12HD361AER	4HD361AER	Accepts Appleton ACP3034BC
60	60	50	12HD362AER	4HD362AER	ACP6034BC
100	100	75	12HD363AER	4HD363AER	ACP1034CD
M-R-S (Russellstoll) MAX-GARD® Receptacle					
30	30	20	12HD361RSR ^③	③	Accepts Russellstoll DS3404MP
60	60	50	12HD362RSR ^③	③	DS6404MP
100	100	75	12HD363RSR ^③	③	DS1404MP

Safety Switch 3PH 3W with Pin and Sleeve Type Receptacle 3W4P, 600 Volt Single Throw—Non-Fusible

Ampere Rating			Type 12 Enclosure Dusttight Catalogue Number ^②	Type 4X Enclosure Corrosion Resistant, Stainless Steel Catalogue Number	Power Plug ^①
Switch	Receptacle	Maximum Horsepower Rating with Time Delay Fuses			
Crouse-Hinds ARKTITE® Receptacle					
30	30	30	12HD361NFCHR	4HD361NFCHR	Accepts Crouse-Hinds APJ3485
60	60	60	12HD362NFCHR	4HD362NFCHR	APJ6485
100	100	75	12HD363NFCHR	4HD363NFCHR	APJ10487
Appleton POWERTITE® Receptacle					
30	30	30	12HD361NFAER	4HD361NFAER	Accepts Appleton ACP3034BC
60	60	60	12HD362NFAER	4HD362NFAER	ACP6034BC
100	100	75	12HD363NFAER	4HD363NFAER	ACP1034CD

Notes

- ① Power plugs are not included with switch and not available through Eaton.
- ② Type 12 enclosures can be field modified to meet Type 3R rainproof rating when factory provided drain hole is opened.
- ③ Contact Customer Support (1-800-268-3578) for availability of this product.
For viewing window add 'W' to suffix of catalogue number.

Dimensions

Approximate Dimensions in Inches (mm)

Note: Dimensions are for estimating purposes only.

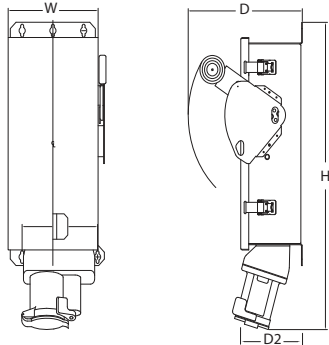
Heavy-Duty, Non-Fusible, 600V, Three Pole, Single Throw, with Crouse Hinds Pin & Sleeve Receptacle

Ampere Rating	Width (W)	Height (H)	Depth (D)	Depth (D2)	Weight	Weight
					Lbs (kg) Type 12	Lbs (kg) Type 4X
Type 12, 4X Stainless Steel						
30	8 (203)	24.13 (612)	10.25 (260)	5.5 (140)	23 (10.5)	32 (14.54)
60	8 (203)	24.13 (612)	10.25 (260)	5.5 (140)	23 (10.5)	34 (15.45)
100	11.13 (281)	30.88 (786)	10.25 (260)	5.5 (140)	28 (12.7)	32 (14.54)

Heavy-Duty, Fusible, 600V, Three Pole, Single Throw, with Crouse Hinds Pin & Sleeve Receptacle

Ampere Rating	Width (W)	Height (H)	Depth (D)	Depth (D2)	Weight	Weight
					Lbs (kg) Type 12	Lbs (kg) Type 4X
Type 12, 4X Stainless Steel[Ⓢ]						
30	8 (203)	24.13 (612)	10.25 (260)	5.5 (140)	23 (10.5)	35 (15.9)
60	8 (203)	24.13 (612)	10.25 (260)	5.5 (140)	23 (10.5)	35 (15.9)
100	11.13 (281)	30.88 (786)	10.25 (260)	5.5 (140)	28 (12.7)	36 (16.36)

Switch with Crouse Hinds Receptacle 30, 60, 100A



Note

Type 12 enclosures can be field modified to meet type 3R rainproof requirements when factory provided drain hole is opened.

Depth listed is for non window design.

For 30 - 100A window version increase depth (D) by 1.22" (32mm) and (D2) by .8" (20mm)

Heavy-Duty, Non-Fusible, 600V, Three Pole, Single Throw, with Appleton Pin & Sleeve Receptacle

Ampere Rating	Width (W)	Height (H)	Depth (D)	Depth (D2)	Weight	Weight
					Lbs (kg) Type 12	Lbs (kg) Type 4X
Type 12, 4X Stainless Steel						
30	8 (203)	23.5 (597)	10.25 (260)	5.5 (140)	23 (10.5)	31 (14.1)
60	8 (203)	23.5 (597)	10.25 (260)	5.5 (140)	23 (10.5)	31 (14.1)
100	11.13 (281)	29.5 (749)	10.25 (260)	5.5 (140)	28 (12.7)	36 (16.3)

Heavy-Duty, Fusible, 600V, Three Pole, Single Throw, with Appleton Pin & Sleeve Receptacle

Ampere Rating	Width (W)	Height (H)	Depth (D)	Depth (D2)	Weight	Weight
					Lbs (kg) Type 12	Lbs (kg) Type 4X
Type 12, 4X Stainless Steel						
30	8 (203)	23.5 (597)	10.25 (260)	5.5 (140)	23 (10.5)	31 (14.1)
60	8 (203)	23.5 (597)	10.25 (260)	5.5 (140)	23 (10.5)	31 (14.1)
100	11.13 (281)	29.5 (749)	10.25 (260)	5.5 (140)	28 (12.7)	36 (16.3)

Switch with Appleton Receptacle 30, 60, 100A

