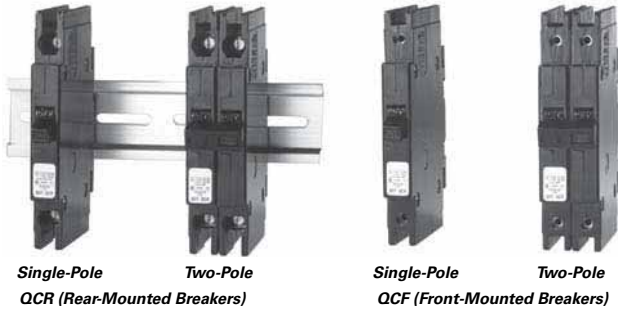


**Cable-In/Cable-Out, 1/2-Inch Wide, Types QCR, QCF, QCRH, QCFH**



**Contents**

<i>Description</i>	<i>Page</i>
Quick Reference . . . . .	<b>V4-T1-2</b>
QUICKLAG Plug-On Types HQP, QPHW, QHPX, QHPW	<b>V4-T1-5</b>
QUICKLAG Plug-On Ground Fault and Equipment Protectors, Types QPGFT, QPHGFT, QPGFEP, QPHGFEP	<b>V4-T1-8</b>
Bolt-On Types BAB, QBHW, HBAX, HBAW . . . . .	<b>V4-T1-11</b>
Bolt-On Arc Fault Circuit Interrupter Types	
QBAF, QBCAF . . . . .	<b>V4-T1-14</b>
Bolt-On Ground Fault and Equipment Protectors, Types QBGFT, QBHGFT, QBGFEP, QBHGFEP . . . . .	<b>V4-T1-17</b>
Cable-In/Cable-Out Types QC, QCD, QCHW, QHCX, QHCW . . . . .	<b>V4-T1-20</b>
Cable-In/Cable-Out, 1/2-Inch Wide, Types QCR, QCF, QCRH, QCFH	
Product Selection . . . . .	<b>V4-T1-25</b>
QCR and QCF Options and Accessories . . . . .	<b>V4-T1-27</b>
Cable-In/Cable-Out Ground Fault and Equipment Protectors, Types QCGFT, QCHGFT, QCGFEP, QCHGFEP	<b>V4-T1-28</b>
Solenoid-Operated, Remote-Controlled Latching Types BABRP, BABRSP, BRRP and CLRP. . . . .	<b>V4-T1-31</b>
Solenoid Operator—Remote Controlled Latching for Type GHBS, GBHS and GHQRSP Breakers . . . . .	<b>V4-T1-34</b>
International Rated Types HQP, BA, QC, GFMB, GFXBC	<b>V4-T1-37</b>
Special Application Breakers, Types HQP, BA, QC . . . . .	<b>V4-T1-40</b>

**Cable-In/Cable-Out, 1/2-Inch Wide, Types QCR, QCF, QCRH, QCFH**

**Product Description**

Eaton Type QCR circuit breakers have as a standard feature provisions for 35 mm DIN rail rear mounting with a spring-loaded release. Optional clips for individual mounting are available as a separate accessory.

Type QCF have two threaded steel inserts to facilitate front mounting with #6–32 steel screws. The clamp type terminals are accessible from the rear of the breaker so that cables can be accessed without removal of the breaker from the front cover.

**Application Description**

QCR and QCF circuit breakers are only 1/2-inch (12.7 mm) wide per pole and are excellent for general purpose industrial applications where space savings is required.

**Features, Benefits and Functions**

- 1/2-inch (12.7 mm) wide per pole
- Cable-in/cable-out
- Black cases with black handles
- Three position handle: ON, Tripped (center), OFF
- Thermal-magnetic protection

**Standards and Certifications**

- Built and listed to UL 489
- UL File No. E7819
- CSA File No. LR48907
- Type QCR and QCF circuit breakers are UL listed circuit breakers that are suitable for use as branch circuit protectors
- All ratings 15–60A are HACR rated



### Product Selection

Cable-In/Cable-Out,  
1/2-Inch Wide



#### QCR Breaker Catalog Numbers <sup>①②③④</sup>

Continuous Ampere Rating at 40°C	Single-Pole 120/240 Vac Catalog Number	Two-Pole 120/240 Vac Catalog Number	Two-Pole 240 Vac <sup>⑤</sup> Catalog Number	Three-Pole Catalog Number
<b>QCR Breaker 10 kAIC Interrupting Ratings</b>				
10	QCR1010	QCR2010	—	—
	QCR1010T	QCR2010T	—	—
	—	QCR2010P	—	—
15	QCR1015 <sup>⑥</sup>	QCR2015	QCR2015H	QCR3015H
	QCR1015T <sup>⑥</sup>	QCR2015T	QCR2015HT	QCR3015HT
	—	QCR2015P	—	—
20	QCR1020 <sup>⑥</sup>	QCR2020	QCR2020H	QCR3020H
	QCR1020T <sup>⑥</sup>	QCR2020T	QCR2020HT	QCR3020HT
	—	QCR2020P	—	—
25	QCR1025	QCR2025	QCR2025H	QCR3025H
	QCR1025T	QCR2025T	QCR2025HT	QCR3025HT
	—	QCR2025P	—	—
30	QCR1030	QCR2030	QCR2030H	QCR3030H
	QCR1030T	QCR2030T	QCR2030HT	QCR3030HT
	—	QCR2030P	—	—
35	QCR1035	QCR2035	—	—
	—	QCR2035P	—	—
40	QCR1040	QCR2040	—	—
	—	QCR2040P	—	—
45	QCR1045	QCR2045	—	—
	—	QCR2045P	—	—
50	QCR1050	QCR2050	—	—
	—	QCR2050P	—	—
55	QCR1055	QCR2055	—	—
	—	QCR2055P	—	—
60 <sup>⑦</sup>	QCR1060	QCR2060	—	—
	—	QCR2060P	—	—
<b>QCR Breaker 22 kAIC Interrupting Ratings</b>				
15	QCRH1015 <sup>⑥</sup>	QCRH2015	—	—
	QCRH1015T <sup>⑥</sup>	QCRH2015T	—	—
20	QCRH1020 <sup>⑥</sup>	QCRH2020	—	—
	QCRH1020T <sup>⑥</sup>	QCRH2020T	—	—

#### Notes

- ① Standard breaker terminals are box type lugs.
- ② Breakers with **T** Catalog Number Suffix are suitable for line and load side ring terminal connection (#10–32 plus/minus terminal screw provided).
- ③ Breakers with **P** Catalog Number Suffix are suitable for terminating two 10 AWG Quick-Connect Type Terminals per phase on breaker load side.
- ④ Breakers with Shunt Trip (extra pole required on breaker right-hand side) are available on single-, two- and three-pole. Contact the Customer Support Center at 1-800-356-1243.
- ⑤ Breakers with **H** Catalog Suffix have 240 Vac construction.
- ⑥ All 15 and 20A single-pole breakers are SWD (Switching Duty) rated for fluorescent lighting applications.
- ⑦ 60/75°C Cu/Al wire on all ratings except 60A, which requires Cu only conductor.