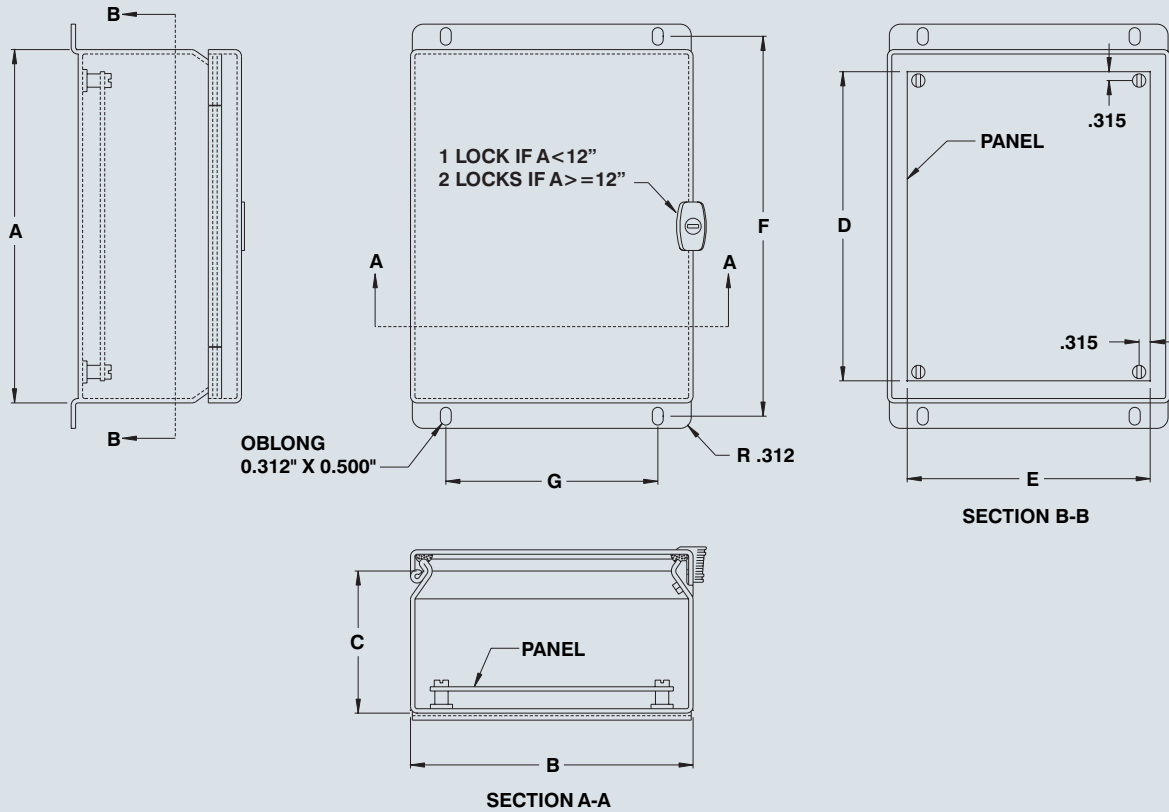


NEMA 4-4X ENCLOSURES

5412 ESSCH



CATALOG NUMBER	DIMENSIONS							SHIP WGHT LBS.
	A	B	C	D	E	F	G	
5412 ESSCH040403	4	4	3	No.Pan.	No.Pan.	4.75	2	2
5412 ESSCH060403	6	4	3	4.88	2.88	6.75	2	3
5412 ESSCH060404	6	4	4	4.88	2.88	6.75	2	4
5412 ESSCH060604	6	6	4	4.88	4.88	6.75	4	5
5412 ESSCH080604	8	6	4	6.88	4.88	8.75	4	6
5412 ESSCH080804	8	8	4	6.88	6.88	8.75	6	8
5412 ESSCH081004	8	10	4	6.88	8.88	8.75	8	10
5412 ESSCH100804	10	8	4	8.88	6.88	10.75	6	10
5412 ESSCH120604	12	6	4	10.88	4.88	12.75	4	8
5412 ESSCH060605	6	6	5	4.88	4.88	6.75	4	6
5412 ESSCH080605	8	6	5	6.88	4.88	8.75	4	7
5412 ESSCH101005	10	10	5	8.88	8.88	10.75	8	14
5412 ESSCH101205	10	12	5	8.88	10.88	10.75	10	16
5412 ESSCH121005	12	10	5	10.88	8.88	12.75	8	16
5412 ESSCH121205	12	12	5	10.88	10.88	12.75	10	18
5412 ESSCH080606	8	6	6	6.88	4.88	8.75	4	7
5412 ESSCH100806	10	8	6	8.88	6.88	10.75	6	12
5412 ESSCH101006	10	10	6	8.88	8.88	10.75	8	14
5412 ESSCH121206	12	12	6	10.88	10.88	12.75	10	18
5412 ESSCH121406	12	14	6	10.88	12.88	12.75	12	19
5412 ESSCH140806	14	8	6	12.88	6.88	14.75	6	10
5412 ESSCH141206	14	12	6	12.88	10.88	14.75	10	19
5412 ESSCH141606	14	16	6	12.88	14.88	14.75	14	23
5412 ESSCH161006	16	10	6	14.88	8.88	16.75	8	19
5412 ESSCH161206	16	12	6	14.88	10.88	16.75	10	21
5412 ESSCH161406	16	14	6	14.88	12.88	16.75	12	23
5412 ESSCH121008	12	10	8	10.88	8.88	12.75	8	16
5412 ESSCH141208	14	12	8	12.88	10.88	14.75	10	20
5412 ESSCH161208	16	12	8	14.88	10.88	16.75	10	25
5412 ESSCH161408	16	14	8	14.88	12.88	16.75	12	26
5412 ESSCH161410	16	14	10	14.88	12.88	16.75	12	27



† Add suffix '6' to the catalog number for 316 stainless steel.
ex. 5412 ESSCH1212066

Data subject to change without notice.

Stainless steel JIC enclosures

- Quick Features :**
- Flange-mounted ¼ turn lock
 - Drip shield
 - Optimal mounting surface
 - Seamless welding
 - Poured gasket
 - Panel is included
 - Stainless steel finish

The 5412 ESSCH are used indoors or outdoors to protect the enclosed controls from dust, dirt, oil and water splashing. The 5412 ESSCH are made from quality 16 GA (Type 304) stainless steel, with corner seems continuously welded. The opening has a curled lip around all sides to prevent dripping water from entering the enclosure when the door is open, it also increases rigidity. A high quality robotically poured-in-place seamless gasket ensures a complete and durable water tight seal.

This enclosure features incorporated hinging, meaning that the hinge is a part of the box and part of the cover. This minimizes the amount of welding and allows the door to be easily removed by pulling out the full length mushroom head hinge pin. Very few JIC type enclosures offer this considerable advantage.

Eurobex's exclusive flange-mounted ¼ turn locking system insures positive closing while leaving a full workable mounting surface on the door. Each enclosure comes **complete with a 14**

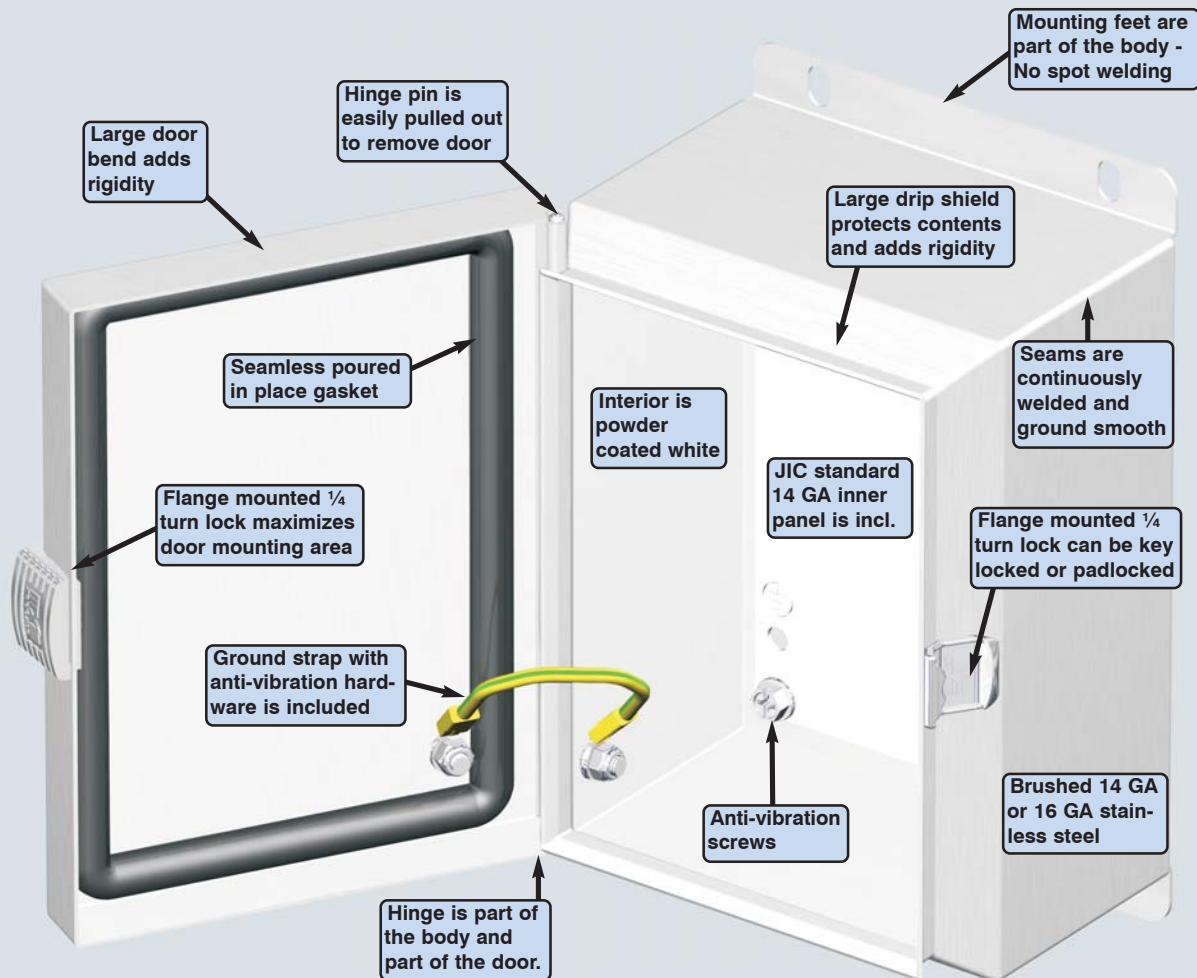
GA inner panel which mounts on weld nuts. The four external wall-mounting holes are oblong to facilitate installation and the mounting feet are incorporated into the body of the enclosure. The enclosures' exterior are unpainted and brushed smooth. The enclosures' interior and panels are finished with white heat fused polyester powder, electrostatically applied on a phosphatized base.

**CSA Certified / UL Listed
NEMA 4X / IP66**



Visit www.eurobex.com for details.

Call us toll free 1-800-363-2423



The 5412 ESSCH - Another Eurobex innovation

Data subject to change without notice.

Suggested Accessories

