



LSC Series

Steel Combination Unit
Combination Units

PROJECT _____
 LOCATION _____
 DATE _____
 CONTRACTOR _____
 PREPARED BY _____
 LUMACELL
 MODEL _____

FEATURES

- Universal mounting: end, wall or ceiling
- Meets or exceeds CSA 22.2 No.141-10 standard for unit equipment and pictogram exit signs
- Legend illuminated by long-life white LED's
- Comes standard with two pictogram films, for direction selection
- Comes standard with two high-performance 4-Watts MR16 LED lamps
- 4-Watts LED emergency lights provide 34 feet of egress illumination on a 6-foot wide path
- Sealed, maintenance-free, 6-volt Lead-Calcium battery
- Remote load capacity: 80 up to 270 feet of egress illumination when using LED remote heads

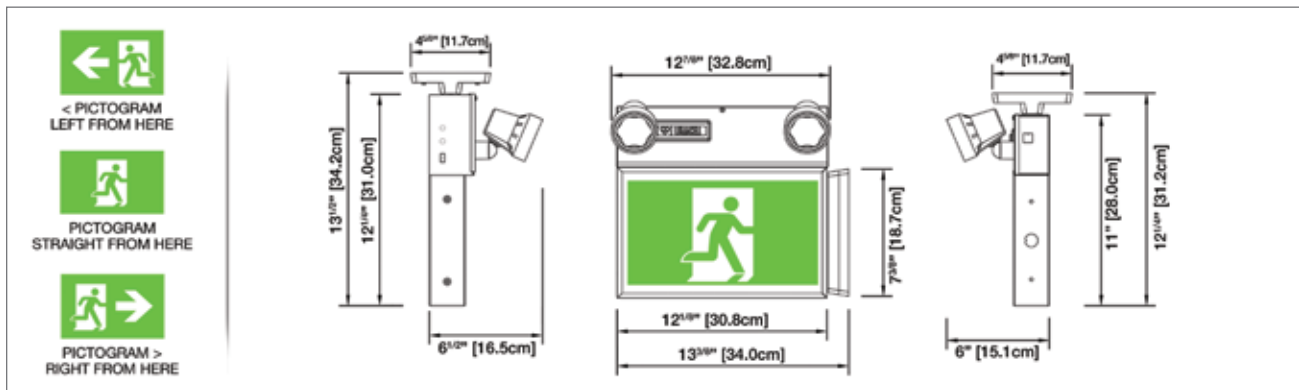
WIRE GUARDS

460.0081-L	Wall mount
460.0060-L	Ceiling mount

POWER CONSUMPTION

MODEL	AC SPECS	Emergency power available for lamps	Emergency power available for lamps				
			30 min.	1 hr.	1.5 hrs.	2 hrs.	4 hrs.
Pictogram module	120/347VAC	Less than 1.5W	-	-	-	-	-
LSC28	120 to 347VAC	0.13/0.05 Amp	28	16	12	9	-
LSC44			44	26	18	15	7
LSC72			72	42	30	24	12

DIMENSIONS



ORDERING INFORMATION

SERIES	POWER EM. LIGHTS	COLOUR	HEADS	HEAD STYLE AND POWER	OPTIONS
LSC= pictogram steel combo exit sign	28= 6V-28W 44= 6V-44W 72= 6V-72W	W= factory white B= black	Blank= no heads 1= one head 2= two heads	Blank= no heads LD1= MR16 LED 6V-4W MQ8= micro-halogen, 8W MQ12= micro-halogen, 12W MT9= micro-tungsten, 9W MI= MR16 halogen 6V-6W MJ= MR16 halogen 6V-10W	DF= double-face sign T3= time delay (15 minutes) TP= tamper-proof screws* ZC= 120/277VAC input NEX= NEXUS® system interface** NEXRF= wireless NEXUS® system interface** <small>*Bit ordered separately: 990.0119-L **Max. 44W; consult your sales representative</small>

EXAMPLE: LSC28W2LD1

TYPICAL SPECIFICATIONS

Supply and install **Lumacell® LSC Series** combination of unit equipment and pictogram exit sign. The unit shall be made of solid steel sheet metal and be suitable for universal mounting: wall, end, or ceiling. The legend housing shall have a maximum depth of 2-1/8". The legend face plate(s) shall be constructed of robust clear polycarbonate panel(s) with an opaque border coloured factory-white. Each face plate shall come standard with two legend films for pictogram and direction selection. The light source shall be white light-emitting diodes (LED) and shall provide even illumination in normal and emergency operation. The power pack shall include one circuit board with test switch and pilot light for battery charger and legend LED driver. The unit shall include one 6 Volt, maintenance-free, sealed Lead-Calcium battery and shall provide minimum 30 minutes of emergency lighting upon AC power failure. The electrical power available for emergency lights shall be 28 Watts or up to 72 Watts, as specified. The emergency heads shall require no tools to adjust and aim. The heads shall be made of durable thermoplastic construction and include 6-volt 4-watt MR16 LED lights or as otherwise specified.

The equipment shall meet or exceed the requirements of CSA 22.2 No.141-10 standard.

The equipment shall be **Lumacell®** Model: _____



Unlike EXIT signs, the pictogram sign is not available in double arrow configuration.