



LED Retrofit Kits

Project/Location: _____

Contractor: _____

Date: _____

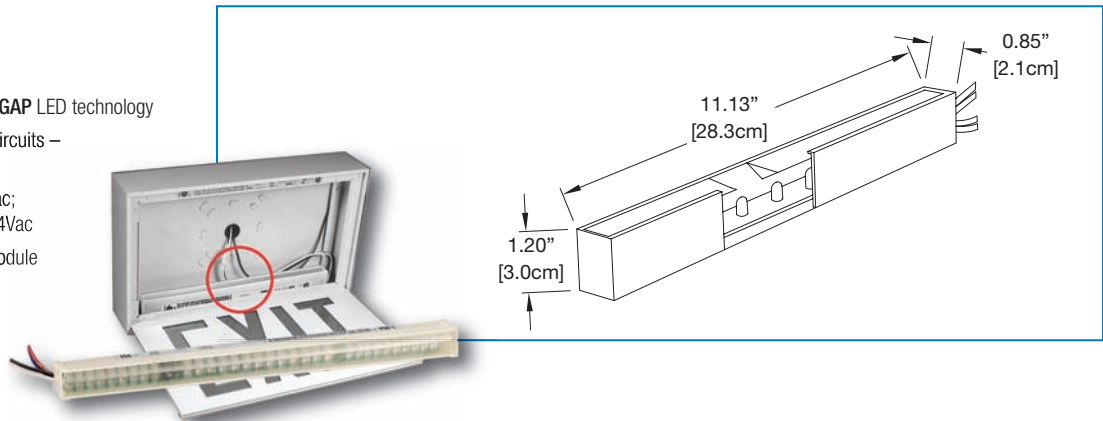
Prepared by: _____

SNAP II Series

Features

- Quick and easy to install
- Long-life, energy-efficient red **ALINGAP** LED technology
- Module features two independent circuits – one for AC input; one for DC input
- Universal AC input: 120/277/347Vac; universal two-wire DC input: 6 to 24Vdc
- Power consumption of 1.1W per module
- 10 year limited warranty

Dimensions



Power Consumption

Model	AC Specs		DC Specs	
SNAP II	120/277/347Vac	1.1W	6 to 24Vdc	1.3W

Ordering Information

Model	Brightness	Voltage
SNAP II = hardwire retro-fit kit 11.0" (28cm) long SNAP IIB = hardwire retro-fit kit 9.5" (24cm) long*	Blank = standard	-UN = 120/347vac, 6, 12, 24vdc -U36 = 120/277/347vac-36vdc -U48 = 120/277/347vac-48vdc -U120 = 120/347vac-120vdc -120V-1H2 = 120vac-120vdc-2wires

*Available in UN voltage only.

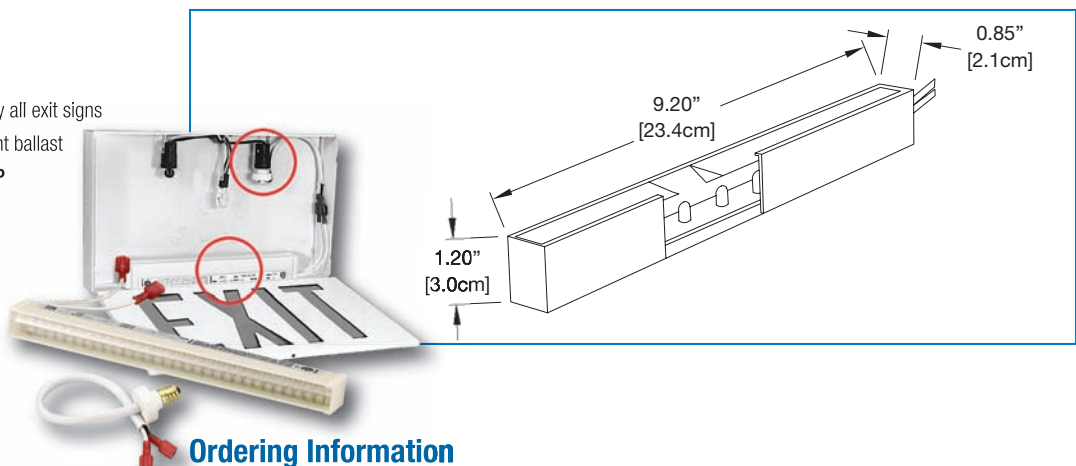
EXAMPLE: SNAPII-UN

SNAP III Series

Features

- Easiest to install in its class
- Compact size makes it ideal for virtually all exit signs
- Can be retrofitted directly on fluorescent ballast
- Long-life, energy-efficient red **ALINGAP** LED technology
- Available with AC adaptor for all type of lamp sockets
- 10 year limited warranty

Dimensions



Power Consumption

Model	AC Specs		DC Specs	
SNAP III	120Vac; 347 to 86Vac	1.7W	N/A	N/A

Ordering Information

Model	Base
SNAP III = for standard applications	-C = candelabra -I = intermediate -M = medium -B = bayonet -F = G23 compact fluorescent -UN = complete set of bases (excludes "F" base) -H = 120Vac (hardwire) -8H = 240Vac (hardwire) -2H = 277Vac (hardwire) -3H = 347Vac (hardwire)

EXAMPLE: SNAPIII-C

Project/Location:

Contractor:

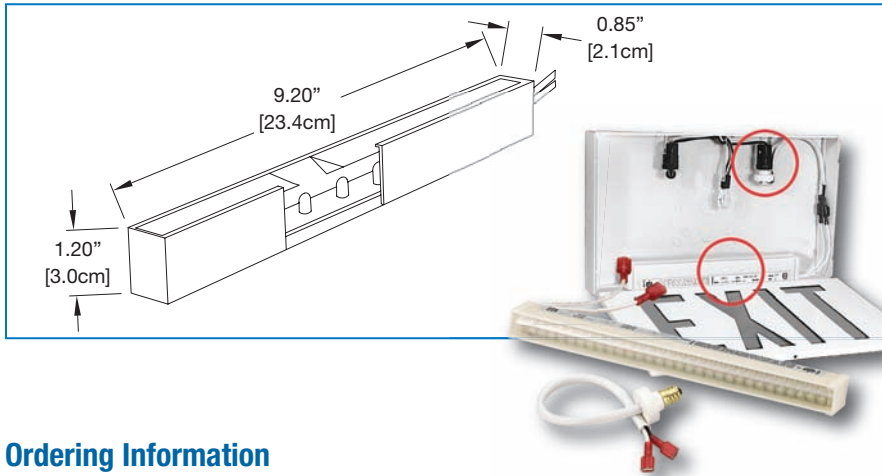
Date:

Prepared by:

LED Retrofit Kits



Dimensions



SNAP I Series Features

- Easiest to install in its class
- Compact size makes it ideal for virtually all exit signs
- Can be retrofitted directly on fluorescent ballast
- Suitable for all AC line applications including exit signs equipped with in-line diodes
- Available in high brightness or ultra high-brightness LEDs
- Long-life, energy-efficient ALINGAP LED technology

Ordering Information

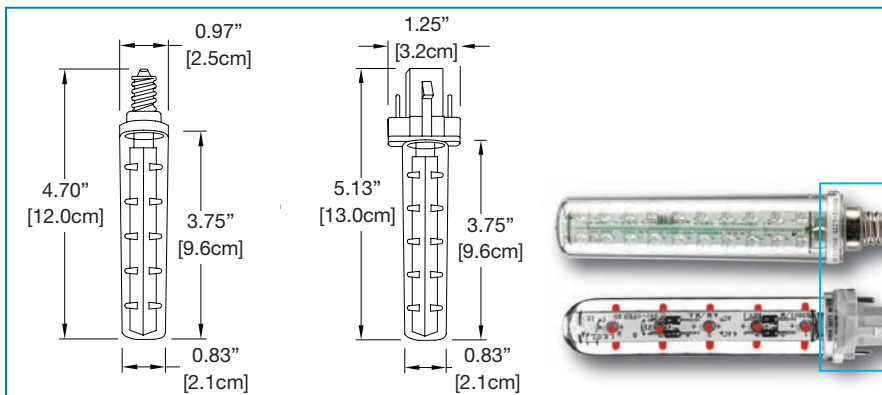
Model	Base
SNAP I = with or without in-line diodes	-C = candelabra -I = intermediate -M = medium -B = bayonet -F = G23 compact fluorescent -UN = complete set of bases (excludes "F" base) -H = 120Vac (hardwire) -8H = 240Vac (hardwire) -2H = 277Vac (hardwire) -3H = 347Vac (hardwire)

EXAMPLE: SNAP1-C

Power Consumption

Model	AC Specs	DC Specs		
SNAP I	120Vac with in-line diodes	2.8W	N/A	N/A

Dimensions



Bulb Series Features

- Quick and easy to install
- Available with wide range of lamp bases for quick lamp to lamp replacement
- Available in high brightness or ultra high-brightness LEDs
- 120Vac or 120Vac with in-line diode
- Long-life, energy-efficient ALINGAP LED technology

Ordering Information

Model	Base
BULBI/HB = Standard version BULBI/HB = to be used with or without inline diodes (2.5 watts)	-C = candelabra -I = intermediate -M = medium -B = bayonet -F = G23 compact fluorescent

EXAMPLE: BULBI-C

Power Consumption

Model	AC Specs	DC Specs		
BULB I	120Vac	0.90	N/A	N/A
BULB II	120Vac	2.60W	120Vdc	2.4W