

LMC Series

All Metal Exit Sign

Labour-saving combination unit



Features

- Combination Exit Sign and Power Pack
- Now with dual input voltages 120/347Vac
- Based on a modular design concept, this combo unit comes pre-assembled for quick, easy installation
- Metal stencil plate with red letter panel
- Universal mounting – end, wall or ceiling
- Easy access to wiring entry for all mounting options
- Canopy mounting system designed specifically for ease of installation
- Universal, field-selectable chevrons (knockout)
- Long-life, energy-efficient, **AllnGaP** LED light source
- Energy efficient – complete unit consumes less than 3.5watts
- Completely self-contained combo unit with sealed lead battery provides a minimum of 30 minutes of emergency lighting
- Power pack comes standard with test switch and high charge pilot light and is available in either 28, 44 or 72watts
- CSA certified, meets or exceeds C860 requirements

N E X U S



Made in Canada



Typical Specification

Supply and install the Lumacell 8LMCE LED exit sign and power pack combination series. The exit housing and faceplates shall be constructed of steel. The exit sign shall have a maximum depth of 2-1/2". The faceplate(s) shall come standard with knockout chevrons. The light source for the exit sign shall be light-emitting diodes (LED). The LED lamps shall provide illumination in normal and emergency operation and shall be mounted inside the exit housing, not on the face. Red LEDs shall be of **AllnGaP** technology. An LED sensitive diffuser shall be mounted behind the legend to provide the 6" high by 3/4" stroke letters with even illumination. The power pack shall be a completely self-contained emergency unit with its own charger and rechargeable battery. The housing shall be made of steel. The power pack shall include a test switch and high charge pilot light.

The equipment shall be designed to furnish exit illumination from the normal AC source. When a power failure occurs the exit sign along with the emergency heads shall illuminate for a minimum of 30 minutes. The power available for emergency lights shall be 28watts or as otherwise specified.

The heads shall require no tools to adjust and aim. The heads will be of a durable thermoplastic construction and use 6volt, 9watt lamps or as otherwise specified.

The exit sign shall be CSA-C860 approved.

The equipment shall be Lumacell Model:

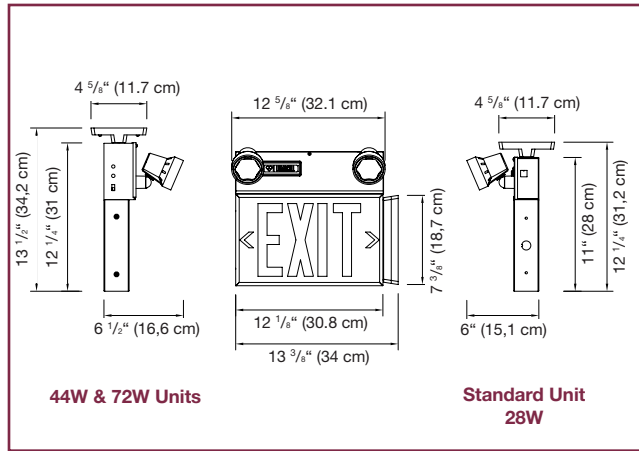
_____.

Project/Location		Date
Contractor		Prepared by
LUMACELL Model		



8LMCE SERIES

Dimensions



Wire Guards

460.0078-L	Wall Mount
460.0060-L	Ceiling Mount

Extra Faceplates

005406-L	Factory white faceplate + red diffuser
005407-L	Black faceplate + red diffuser
005408-L	Silver grey faceplate + red diffuser
005409-L	Factory white faceplate + green diffuser
005410-L	Black faceplate + green diffuser
005411-L	Silver grey faceplate + green diffuser

Power Consumption and Unit Rating

Model	AC Specs		Wattage Capacity				
			30min	1h00	1h30	2h00	4h00
EXIT Sign Module	120/347Vac	Less than 1W	-	-	-	-	-
8LMCE	120/347Vac	0.15/0.05 Amp	28	16	12	9	-
10LMCE	120/347Vac	0.15/0.05 Amp	44	26	18	15	7
7LMCE	120/347Vac	0.15/0.05 Amp	72	42	30	24	12

Ordering Information

Series	# of Heads	Head style Wattage	Colour	Voltage	Options
8LMCE= 6V-28W	Blank= no heads	MT9W= micro-tungsten, 9W	Blank= factory white	Blank= 120/347Vac	Blank= no options
10LMCE= 6V-44W		MQ8W= micro-halogen, 8W			
7LMCE= 6V-72W		MQ12W= micro-halogen, 12W			
	1= one head	MQM6W= micro-MR16, 6W	BK= black	ZC= 277Vac	TD= time delay
	2= two heads	MQM10W= micro-MR16, 10W	SG= silver grey		
		Other styles available. Consult your sales representative.			
					TP= tamper proof screws
					GN= green letters
					*990.0119-L= tamper proof bit
					NEX= Nexus® system interface
					*One bit needed per order.

NOTE: Supplied as single face, see extra faceplates ordering information.

EXAMPLE: 8LMCEMT9W