

Couplings and Accessories

Set-Screw Connector/Coupling

(For Threadless Rigid Metal Conduit and Intermediate Metal Conduit)

Application

- To connect and effectively bond threadless rigid metal conduit or intermediate metal conduit to a box or enclosure or to couple ends of threadless conduit

Features

- Thickwall steel or malleable iron body
- Hardened hex head cup point screw to provide high-quality bond
- Screw captivated, will not vibrate loose
- Nylon insulated throat meets and exceeds all code requirements for bushing:
 - Prevents thinning of insulation
 - Reduces installation effort
 - Prevents first thread damage

- Coupling provided with positive center stop
- Suitable for concrete-tight application
- Capable of carrying ground fault currents up to 10,000 amps RMS (½" through 1½" size) and 20,000 amps RMS (2" and above sizes)

Standard Material

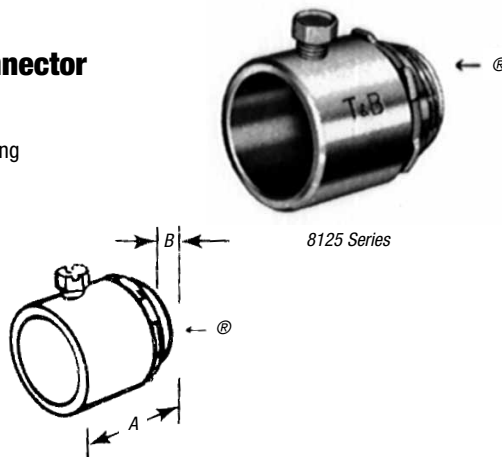
| | | |
|-----------------|-----------------------------|---------------------------------|
| Body | ½" thru 2" Steel | UL 514B |
| | 2½" thru 4" Malleable Iron | CSA C22.2 No. 18 |
| Locknut | ½" thru 2" Steel (hardened) | NFPA 70 |
| | 2½" thru 4" Malleable Iron | NEMA FB1 |
| Screw | Steel (hardened) | Federal Specification A-A-50553 |
| Insulator | Nylon | Federal Standard H-28 (Threads) |



Eliminates the need for conduit threading!

Insulated Set-Screw Connector

- Captive hex head screws tighten down onto conduit for positive holding strength and ground
- Furnished with insulated throats to reduce wire-pulling effort by as much as 50%
- Approved concrete-tight



| CAT. NO. | CONDUIT SIZE | DIMENSIONS (IN.) | |
|----------|--------------|------------------|------|
| | | A | B |
| 8125 | ½" | 1⅜ | 1⅝ |
| 8225 | ¾" | 1½ | 7/16 |
| 8325 | 1" | 1⅞ | 5/8 |
| 8425 | 1¼" | 2 | 5/8 |
| 8525 | 1½" | 2⅛ | 5/8 |
| 8625-TB | 2" | 2⅞ | 1⅞ |
| 8725-TB | 2½" | 3⅞ | 1 |
| 8825 | 3" | 3⅞ | 1 |
| 8855 | 3½" | 3⅞ | 1⅞ |
| 8975 | 4" | 4⅞ | 1⅞ |

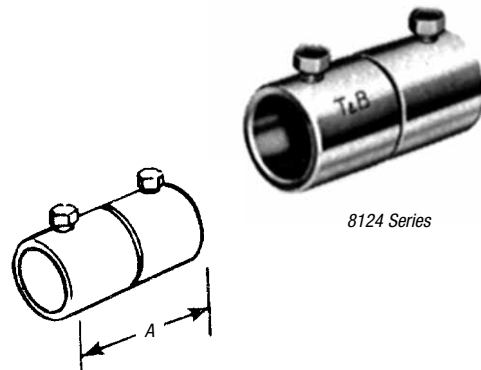
Sizes ½"–2" made of steel. Sizes 2½"–4" are malleable iron. Available with DURA-PLATE® Finish.

UL File No. E-23018 CSA File No. 2884

No need to thread conduit ends when joining rigid conduit!

Set-Screw Coupling

- Captive hex head screws provide positive holding strength and ground continuity
- Approved concrete-tight



| CAT. NO. | CONDUIT SIZE | DIMENSION (IN.) |
|----------|--------------|-----------------|
| | | A |
| 8124 | ½" | 2½ |
| 8224 | ¾" | 2⅞ |
| 8324-TB | 1" | 2⅞ |
| 8424 | 1¼" | 3 |
| 8524 | 1½" | 3⅞ |
| 8624 | 2" | 3⅞ |
| 8724 | 2½" | 3⅞ |
| 8824-TB | 3" | 4¼ |
| 8854 | 3½" | 4⅞ |
| 8974 | 4" | 5⅞ |

Sizes ½"–2" made of steel; sizes 2½"–4" are malleable iron. Available with DURA-PLATE® Finish.

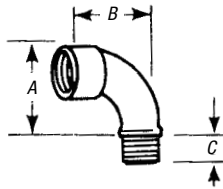
UL File No. E-23018 CSA File No. 2884

Couplings and Accessories

Smoothly rounded shoulders protect conductor insulation!

Bushed Elbows

- Non-insulated
- Malleable iron construction



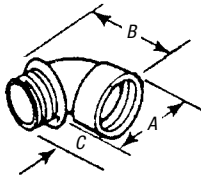
| CAT. NO. | SIZE | DIMENSIONS (IN.) | | |
|----------|--------|------------------|----------|------|
| | | A | B | C |
| 460-TB | 1/2" | 1 1/8" | 1 13/16" | 5/8" |
| 461TB | 3/4" | 1 1/2" | 2 1/4" | 5/8" |
| 462 | 1" | 1 13/16" | 2 11/16" | 3/4" |
| 463 | 1 1/4" | 2 1/4" | 3 3/8" | 3/4" |

Available with DURA-PLATE® Finish. UL File No. E 23018. CSA File No. 2884

Integral insulation ensures a smooth bushing in every fitting!

Short Elbows — Nylon Insulated

- Malleable iron construction



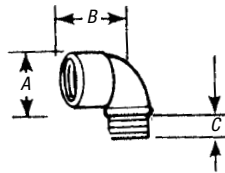
| CAT. NO. | SIZE | DIMENSIONS (IN.) | | |
|----------|--------|------------------|---------|---------|
| | | A | B | C |
| 4290 | 1/2" | 1 1/32" | 1 1/4" | 1/2" |
| 4291 | 3/4" | 1 1/16" | 1 9/16" | 9/16" |
| 4292 | 1" | 1 23/32" | 1 9/16" | 1 1/16" |
| 4293 | 1 1/4" | 2 1/32" | 2 1/16" | 1 3/16" |
| 4294 | 1 1/2" | 2 15/32" | 2 3/16" | 1 3/16" |
| 4295 | 2" | 3" | 2 1/16" | 1 3/16" |

Available with DURA-PLATE® Finish. Not UL or CSA.

For non-insulated applications.

Short Elbows

- Malleable iron construction

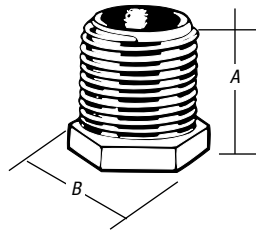


| CAT. NO. | SIZE | DIMENSIONS (IN.) | | |
|----------|--------|------------------|---------|---------|
| | | A | B | C |
| 4250 | 1/2" | 1 5/16" | 1 1/4" | 7/16" |
| 4251 | 3/4" | 1 17/32" | 1 9/16" | 1/2" |
| 4252 | 1" | 1 13/16" | 1 9/16" | 5/8" |
| 4253 | 1 1/4" | 2 3/32" | 2 1/16" | 1 1/16" |
| 4254 | 1 1/2" | 2 9/16" | 2 3/16" | 1 1/16" |
| 4255 | 2" | 3 3/32" | 2 1/16" | 1 1/16" |

Available with DURA-PLATE® Finish. U.L. File #E-23018 CSA File No. 589

Conduit Nipples

- Die-cast zinc
- 1" long

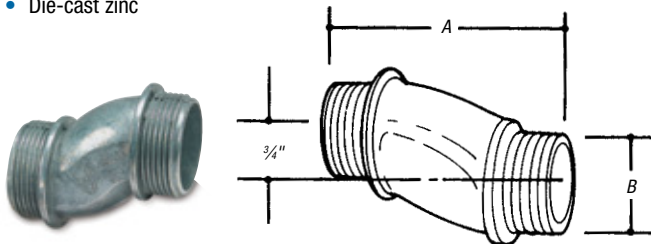


| CAT. NO. | SIZE | DIMENSIONS (IN.) | |
|----------|------|------------------|---------|
| | | A | B |
| HA-211 | 1/2" | 1" | 1 5/16" |
| HA-212 | 3/4" | 1" | 1 3/16" |
| HA-213 | 1" | 1" | 1 7/16" |

UL File No. E-1275 1/2" & 3/4" only

Offset Nipples

- Die-cast zinc



| CAT. NO. | SIZE | DIMENSIONS (IN.) | |
|----------|--------|------------------|-------|
| | | A | B |
| HO-221 | 1/2" | 2.60" | 1.00" |
| HO-222 | 3/4" | 2.62" | 1.32" |
| HO-223 | 1" | 2.68" | 1.51" |
| HO-224 | 1 1/4" | 2.85" | 1.85" |
| HO-225 | 1 1/2" | 2.88" | 2.08" |
| HO-226 | 2" | 3.19" | 2.71" |

*3/4" offset
UL File No. E-1275*