

400 Series

Extruded Aluminum Combo Unit – 6/12V

Multi-purpose, moderately-priced combination unit



Features

- Rugged extruded aluminum housing
- Extruded aluminum faceplate with a maximum depth of 2-1/2”
- Universal, field-selectable chevrons (knockout)
- Long-life, energy-efficient LED light source mounted inside exit housing, not on face
- Steel housing, for lamp module (power pack)
- Completely self-contained unit with rechargeable sealed lead battery
- Provides a minimum of 30 minutes of illumination (lamp heads and exit sign) in emergency mode
- CSA certified, meets or exceeds C860 requirements

NEXUS



Typical Specification

Supply and install the Lumacell LER400 LED exit sign and power pack combination series. The exit housing shall be constructed of rugged extruded aluminum. The faceplate shall be constructed of extruded aluminum. The exit sign shall have a maximum depth of 2-1/2”. The faceplate(s) shall come standard with knockout chevrons.

The light source shall be light emitting diodes (LED). The LED lamps shall provide illumination in normal and emergency operation and shall be mounted inside the exit housing, not on the face. An LED-sensitive diffuser shall be mounted behind the legend to provide the 6” high by 3/4” stroke letters with even illumination. The power pack shall be a completely self-contained emergency unit with its own charger and rechargeable battery. The housing shall be made of steel, painted factory white. The unit shall be designed to furnish exit illumination from the normal AC source.

When a power failure occurs the mounted heads along with the exit sign are illuminated in emergency mode for a minimum of 30 minutes. The power pack is furnished with a test switch and high charge pilot light and is available as either 18, 36 or 72watts.

The heads shall require no tools to adjust and aim. The heads will be constructed of a durable thermoplastic construction and use 6volts, 9 watt lamps or as otherwise specified.

The exit sign shall be CSA-C860 approved.

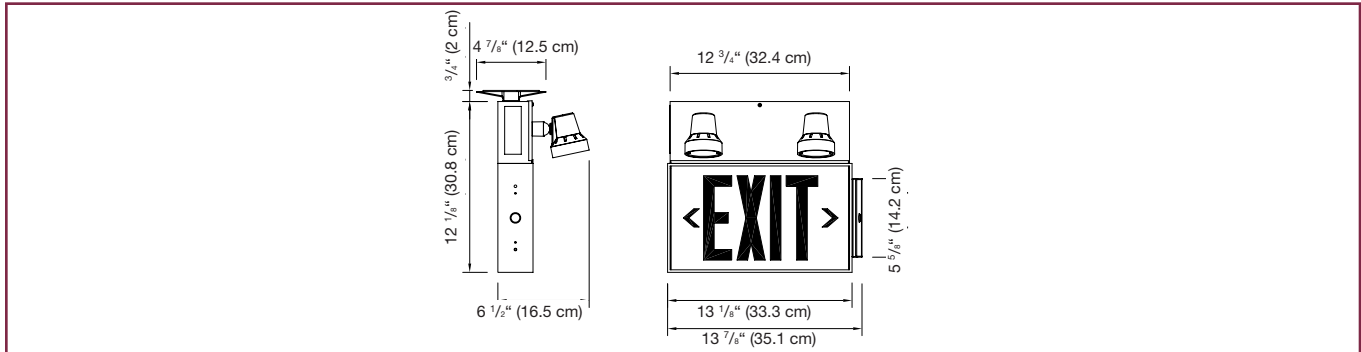
The equipment shall be Lumacell Model:
_____.

| | | |
|------------------|--|-------------|
| Project/Location | | Date |
| Contractor | | Prepared by |
| LUMACELL Model | | |



3LER400 SERIES

Dimensions



Wire Guards

| | |
|------------|---------------|
| 460.0081-L | Wall Mount |
| 460.0060-L | Ceiling Mount |

Power Consumption and Unit Rating

| Model | AC Specs | Wattage Capacity | | | | | |
|-------------------------|------------|------------------|------|------|------|------|----|
| | | 30min | 1h00 | 1h30 | 2h00 | 4h00 | |
| EXIT Sign Module | 120/347Vac | Less than 1.5W | - | - | - | - | - |
| 1LER | | 0.15/0.05 Amp | 18 | 10 | 7 | 6 | 3 |
| 3LER | | 0.15/0.05 Amp | 36 | 21 | 15 | 12 | 6 |
| 5LER | | 0.18/0.07 Amp | 72 | 42 | 30 | 24 | 12 |
| 6LER | | 0.18/0.07 Amp | 36 | 21 | 15 | 12 | 6 |
| 7LER | | 0.15/0.05 Amp | 72 | 42 | 30 | 24 | 12 |

Ordering Information

| Series | # Faces | # of Heads | Heads Style/Wattage | Colour | Voltage | Options |
|-------------------------|--|--------------------|---|--|--|--|
| 1LER= 6V-18W | 450= single face 460= double face | Blank= no heads | MT9W= micro-tungsten, 9W MQ8W= micro-halogen, 8W | Blank= factory white | Blank= 120/347Vac ZC= 277Vac | Blank= no options AT= Auto-Test |
| 3LER= 6V-36W | | 1= one head | MQ12W= micro-halogen, 12W | *SG= silver grey | | TD= time delay |
| 5LER= 12V-72W | | 2= two heads | MQM6W= micro-MR16, 6W (6V only) | BK= black | | *RRT= remote test receiver |
| 6LER= 12V-36W | | | MQM10W= micro-MR16, 10W (6V only) | *TA= textured aluminum | | **HHC= Remote test transmitter |
| 7LER= 6V-72W | | | MQM12W= micro-MR16, 12W (12V only) | | | G= green letters |
| | | | MQM20W= micro-MR16, 12W (12V only) | | | NEX= Nexus® system interface |
| | | | * Other styles available. Consult your sales representative. | *Heads available in white or black only. Please specify. | | *Remote test transmitter needed. **One per order |

EXAMPLE: 1LER4502MT9W