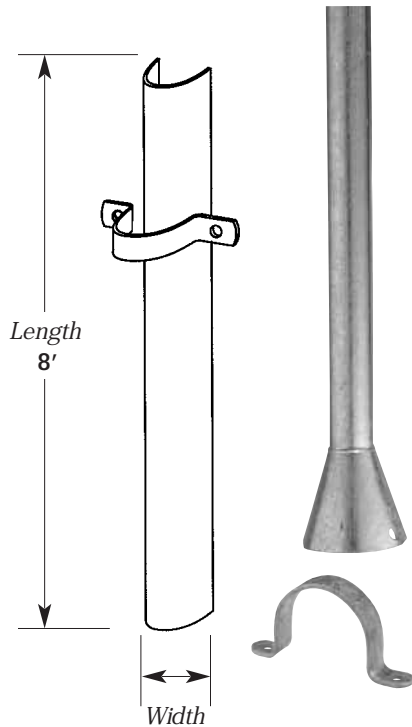




"U" Cable Guards and Straps



CATALOGUE NUMBER STRAIGHT	WIDTH (in.)	LENGTH (ft)	WEIGHT (100 pcs)		STD PKG
			lb	kg	
UG8114	1-1/4	8	760	345	5
UG8214	2-1/4	8	1300	590	5
UG8314	3-1/4	8	2000	909	5

CATALOGUE NUMBER FLARED	WIDTH (in.)	LENGTH (ft)	WEIGHT (100 pcs)		STD PKG
			lb	kg	
UGF8114	1-1/4	8	760	345	5
UGF8214	2-1/4	8	1300	590	5
UGF8314	3-1/4	8	2000	909	5

CATALOGUE NUMBER STRAP	SIZE (in.)	WEIGHT (100 pcs)		STD PKG
		lb	kg	
SUG114	1-1/4	15	6.8	10
SUG214	2-1/4	24	11.0	10
SUG314	3-1/4	60	27.0	10

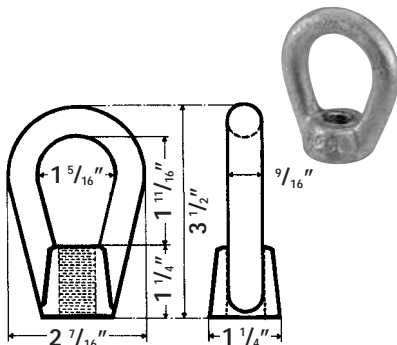
Hot dip galvanized 14 gauge steel.
For non-metallic version (PV mold), refer to pages 67 to 71.

Guy Clamps



CATALOGUE NUMBER	BOLT QTY	BOLT SIZE	LENGTH (in.)	RANGE (in.)	WEIGHT (100 pcs)		STD PKG
					lb	kg	
GC902	2	1/2	3-1/4	1/4 - 7/16	130	59.0	50
GC904	3	1/2	5-7/8	1/4 - 7/16	224	101.3	25
GC906	3	5/8	6	5/16 - 1/2	274	124.5	25

Eye Nut



CATALOGUE NUMBER	EYE DIMENSIONS (in.)	WEIGHT (100 pcs)		STD PKG
		lb	kg	
K58	1-5/16 X 1-11/16	70	31.8	50

Drop forged, hot galvanized, tapped 5/8".