

Technical Specifications

Applications:

- FS device boxes are installed in applications that require a rugged unit to accept wiring devices, switches, electronic components and terminal blocks.
- FS device boxes provide spacious accessible wiring chambers that are a convenient location to maintain or change a system; pull conductors; make splices or branch conduits.
- FS device boxes, when used with an appropriate cover, provide a raintight installation.
- Both weatherproof and dry location covers are available.

Features/Benefits:

- FS device boxes are sand casted or die casted using copper free (less than .004 copper content) aluminum alloys.
- FS device boxes incorporate external hub design that provides maximum wiring capacity.
- FS device boxes have precision molded NPT threaded hubs allowing trouble-free field installation of rigid conduit.
- FS device boxes are available in 1-7/8" and 2-5/8" depth.
- Carlon® non-metallic weatherproof FS covers are UV resistant, flame retardant and non-corrosive.

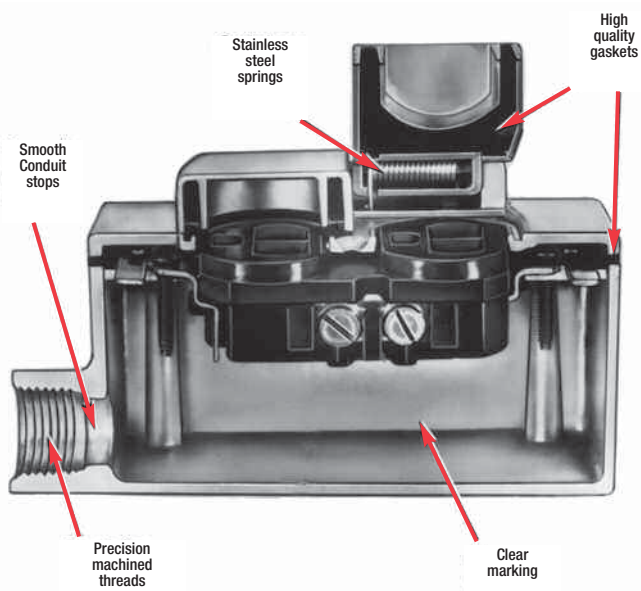
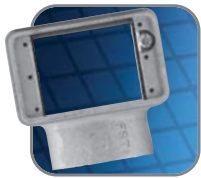
Standard Materials:

- CIFS and CIFD device boxes: sand cast, copper free aluminum (less than .004 copper content).
- CIFSU: die cast, copper free aluminum (less than .004 copper content).
- FS covers: die cast aluminum, sand cast aluminum or non-metallic.

Compliances:

Compliances as noted on each page of the catalogue include:

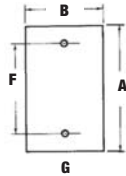
- CSA Certified
- UL Listed
- cULus Listed



Weatherproof FS Covers • Single Gang



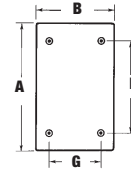
CCB



CCB-FS



CFSB

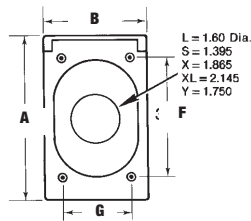


CIFS-100G

Cat. No.	Description	A	B	F	G
Single Gang Blank Covers (Cast Aluminum)					
CCB	Silver – device mount (stamped aluminum)	4-9/16	2-13/16	3-9/32	–
CCB-FS	Silver – box mount (stamped aluminum)			3-1/4	1-7/8
CFSB	Blank – box mount				
CIFS-100G	Blank – box mount (gasket glued on cover)	4-3/8	2-14/16		



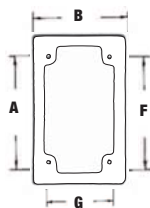
CFSR Series



Cat. No.	Description	Nominal Size	Max. Device Face Dia.	A	B	F	G
Single Gang Vertical Covers (Cast Aluminum)							
CFSR-L	Single receptacle – box mount	1-9/16	1.600	4-9/16	2-13/16	3-1/4	1-7/8
CFSR-S		1-3/8	1.395				
CFSR-X		1-27/32	1.865				
CFSR-XL		2-1/8	2.145				
CFSR-Y		1-3/4	1.750				



FS-GKV



Cat. No.	Description	A	B	F	G
Single Gang Gasket					
FS-GKV*	Single Gang – box mount – Gasket	4-9/16	2-13/16	3-1/4	1-7/8

* CSA not applicable

