

CONTINUOUS HINGE TWO-DOOR WITH 3-POINT LATCH, TYPE 4X



INDUSTRY STANDARDS

UL 508A Listed; Type 3R, 4, 4X, 12; File No. E61997
 cUL Listed per CSA C22.2 No 94; Type 3R, 4, 4X, 12; File Number E61997

NEMA Type 3, 3R, 4, 4X, 12, 13
 IEC 60529, IP66
 Meets NEMA Type 3RX requirements

APPLICATION

These two-door wall-mount enclosures provide industry-leading protection for components in corrosive or wet environments. Enclosures have a removable centerpost for easy panel installation, 3-point latching with Hoffman's exclusive POWERGLIDE™ Handles, and a seamless foam-in-place gasket for sealing protection from contaminants.

SPECIFICATIONS

- Manufactured from 14 gauge Type 304 stainless steel
- Seams continuously welded and ground smooth
- Removable centerpost for easy panel installation
- Flange trough collar around all sides of enclosure door openings
- External mounting brackets
- Heavy-duty 3-point latching mechanism operated by Type 316 stainless steel POWERGLIDE padlocking handles
- Easily removable doors by pulling heavy gauge continuous hinge pin
- Data pocket is high-impact thermoplastic
- Seamless foam-in-place gasket
- Collar studs provided for mounting optional panels
- Bonding provisions on doors; grounding studs on body

FINISH

Doors, sides, top and bottom have smooth #4 brushed finish.

ACCESSORIES

See also Accessories.

Floor Stand Kit, Stainless Steel
 PANELITE™ Enclosure Lights Overview
 Panels for Type 3R, 4, 4X, 12 and 13 Enclosures
 Steel and Stainless Steel Window Kits
 H2OMIT™ Vent Drains, Type 4X
 H2OMIT™ Thermoelectric Dehumidifier

MODIFICATION AND CUSTOMIZATION

Hoffman excels at modifying and customizing products to your specifications. Contact your local Hoffman sales office or distributor for complete information.

BULLETIN: A4SW

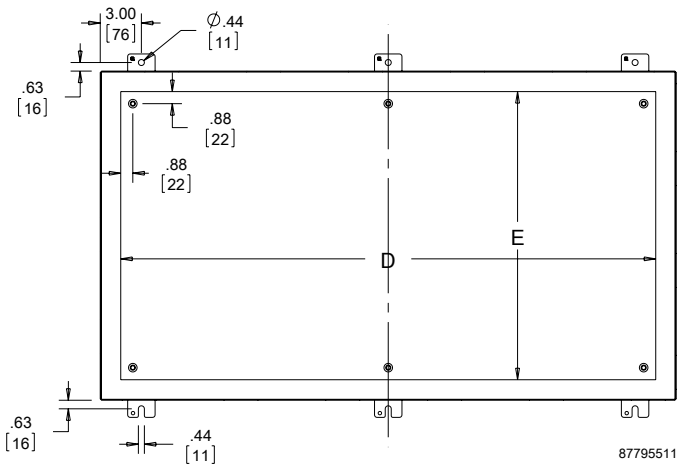
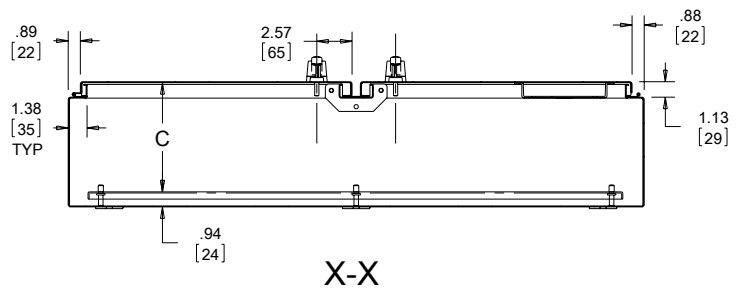
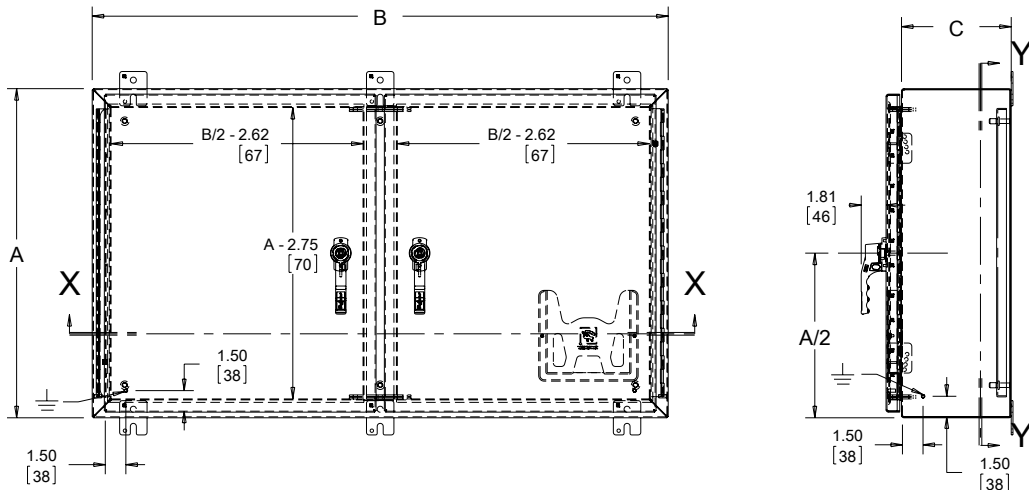
Standard Product

Catalog Number	AxBxC in./mm	Mild Steel Panel	Conductive Panel	Panel Gauge	Panel Size D x E in./mm	Y in./mm
A24H4208WFSSLP3PT	24.00 x 42.00 x 8.00 610 x 1067 x 203	A42P24	A42P24G	12	39.00 x 21.00 991 x 533	1.50 38
A24H4808WFSSLP3PT	24.00 x 48.00 x 8.00 610 x 1219 x 203	A48P24	A48P24G	12	45.00 x 21.00 1143 x 533	1.50 38
A30H4210WFSSLP3PT	30.00 x 42.00 x 10.00 762 x 1067 x 254	A42P30	A42P30G	12	39.00 x 27.00 991 x 686	1.50 38
A30H4810WFSSLP3PT	30.00 x 48.00 x 10.00 762 x 1219 x 254	A48P30	A48P30G	12	45.00 x 27.00 1143 x 686	1.50 38
A30H6010WFSSLP3PT	30.00 x 60.00 x 10.00 762 x 1524 x 254	A60P30	A60P30G	12	57.00 x 27.00 1448 x 686	1.50 38
A36H4212WFSSLP3PT	36.00 x 42.00 x 12.00 914 x 1067 x 305	A42P36	A42P36G	12	39.00 x 33.00 991 x 838	1.50 38
A36H4812WFSSLP3PT	36.00 x 48.00 x 12.00 914 x 1219 x 305	A48P36	A48P36G	12	45.00 x 33.00 1143 x 838	1.50 38
A36H6012WFSSLP3PT	36.00 x 60.00 x 12.00 914 x 1524 x 305	A60P36	A60P36G	12	57.00 x 33.00 1448 x 838	1.50 38
A42H4212WFSSLP3PT	42.00 x 42.00 x 12.00 1067 x 1067 x 305	A42P42	A42P42G	12	39.00 x 39.00 991 x 991	1.50 38
A42H4812WFSSLP3PT	42.00 x 48.00 x 12.00 1067 x 1219 x 305	A48P42	A48P42G	12	45.00 x 39.00 1143 x 991	1.50 38
A42H6012WFSSALP3PT	42.00 x 60.00 x 12.00 1067 x 1524 x 305	A60BFP42	A60BFP42G	10	56.00 x 38.00 1422 x 965	2.00 51
A48H4812WFSSLP3PT	48.00 x 48.00 x 12.00 1219 x 1219 x 305	A48P48	A48P48G	10	44.00 x 44.00 1118 x 1118	2.00 51

Purchase panels separately. Optional stainless steel panels are available for most sizes.

Enclosure backs for A42H4212WFSSLP3PT, A42H4812WFSSLP3PT and A42H6012WFSSALP3PT have internal stiffeners.

A48H4812WFSSLP3PT is 14 gauge with a 12 gauge back.



87795511