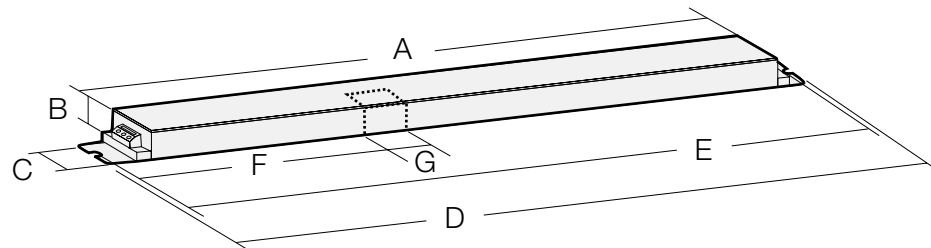


Case dimensions

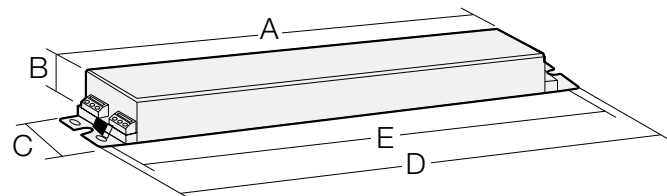
C- or J-case



Note: Dotted area for sensor attachment applies to EcoSystem® J-case only.

- A 16.12 in (409 mm)
- B 1.00 in (25 mm)
- C 1.18 in (30 mm)
- D 18.00 in (457 mm)
- E 17.70 in (450 mm)  
(mounting centers)
- F 6.82 in (173 mm)  
(J only)
- G 0.394 in (10 mm)  
(J only)

G-case



Lamp wires are 36 in (0.90 m) for leaded models

Power and control wires are 18 in (0.45 m) for leaded models

- A 7.13 in (181 mm)
- B 1.00 in (25 mm)
- C 2.38 in (60 mm)
- D 9.50 in (241 mm)
- E 8.91 in (226 mm)  
(slot mounting centers)

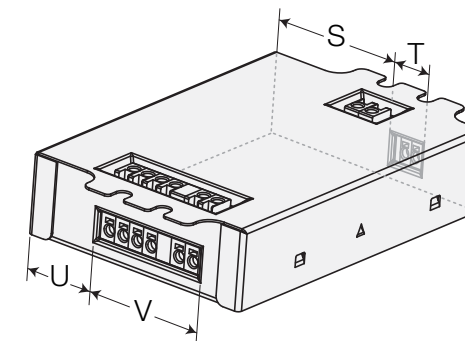
If using 4-hole mount, mounting centers are 8.91 in (226 mm) x 1.70 in (43 mm).

For information on discontinued ballast case dimensions see pg 105)

Case dimensions

K-case (LED Driver)

Non-studded:

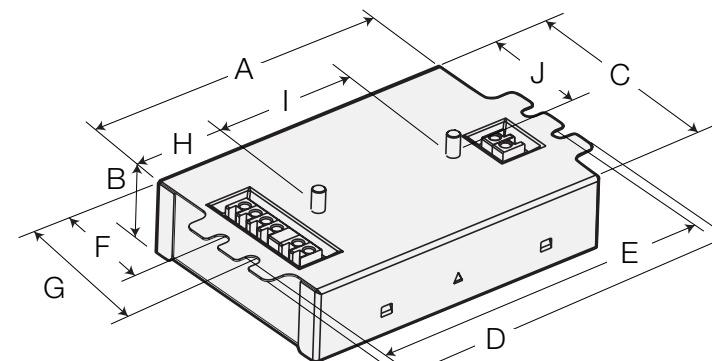


- A 4.20 in (107 mm)
- B 1.00 in (25 mm)
- C 3.00 in (76 mm)
- D 4.90 in (124 mm)
- E 4.60 in (117 mm)  
(mounting centers)
- F 1.42 in (36 mm)
- G 1.99 in (51 mm)

For studded models only:  
H 1.09 in (28 mm)  
I 2.00 in (51 mm)  
J 1.60 in (41 mm)

For non-studded models only:  
S 1.38 in (35 mm)  
T 0.64 in (16 mm)  
U 0.88 in (22 mm)  
V 1.53 in (39 mm)

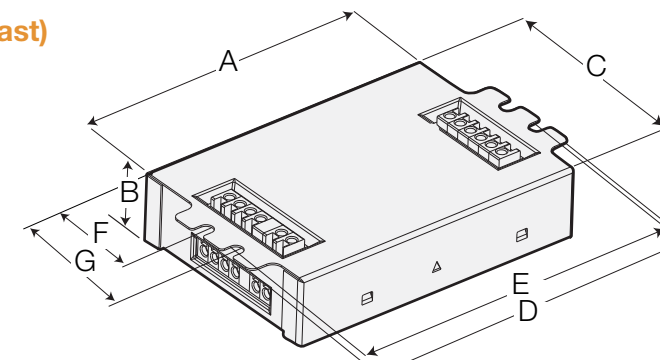
Studded:



8-32 Threaded stud  
0.29 in (7.37 mm) long

K-case (Ballast)

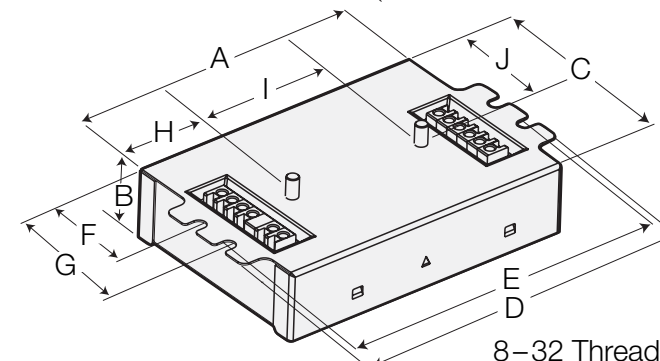
Non-studded:



- A 4.20 in (107 mm)
- B 1.00 in (25 mm)
- C 3.00 in (76 mm)
- D 4.90 in (124 mm)
- E 4.60 in (117 mm)  
(mounting centers)
- F 1.42 in (36 mm)
- G 1.99 in (51 mm)

For studded models only:  
H 1.09 in (28 mm)  
I 2.00 in (51 mm)  
J 1.60 in (41 mm)

Studded:

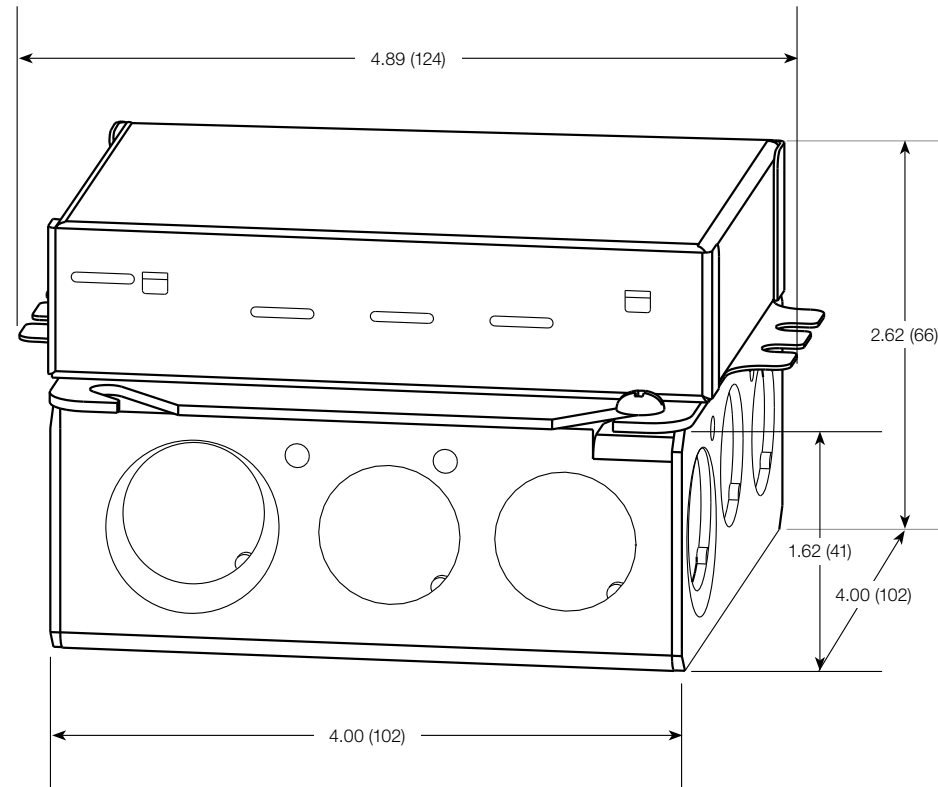


8-32 Threaded stud  
0.29 in (7.37 mm) long

For information on discontinued ballast case dimensions see pg 105)

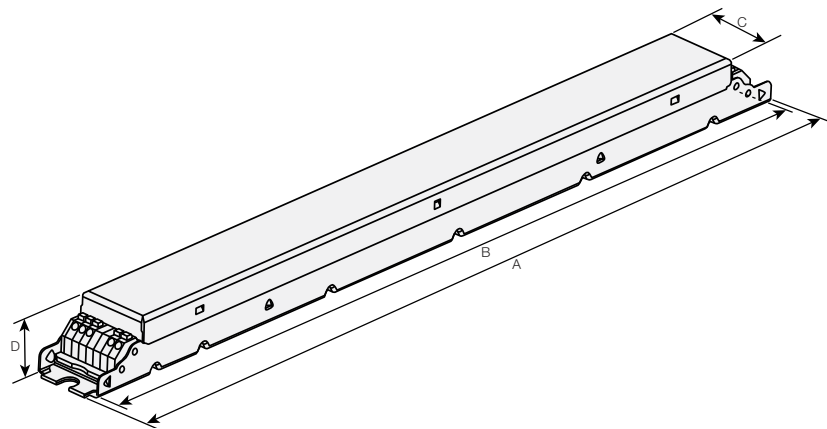
Case dimensions

**KL-case**



- A 4.89 in (124 mm)
- B 4.00 in (102 mm)
- C 2.62 in (66 mm)
- D 4.00 in (102 mm)
- E 1.62 in (41 mm)

**M-case**

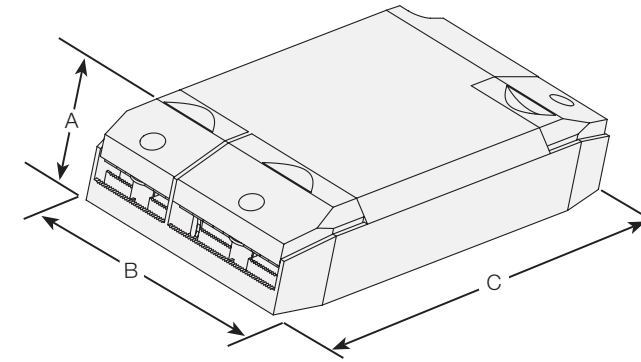


- A 14.13 in (359 mm)
- B 13.78 in (350 mm)  
(mounting centers)
- C 1.18 in (30 mm)
- D 0.98 in (25 mm)

For information on discontinued ballast case dimensions see pg 105)

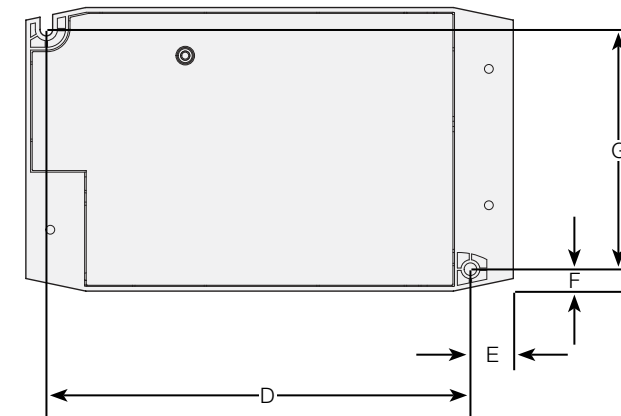
Case dimensions

**P-case**



- A 1.25 in (32 mm)
- B 3.54 in (90 mm)
- C 6.09 in (155 mm)
- D 5.30 in (135 mm)
- E 0.54 in (14 mm)
- F 0.27 in (7 mm)
- G 2.99 in (76 mm)

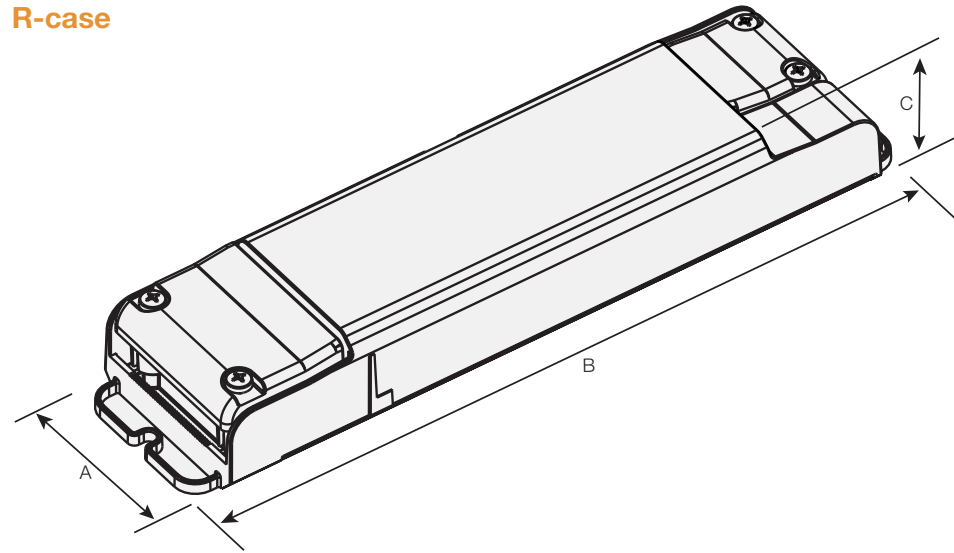
Mounting centers



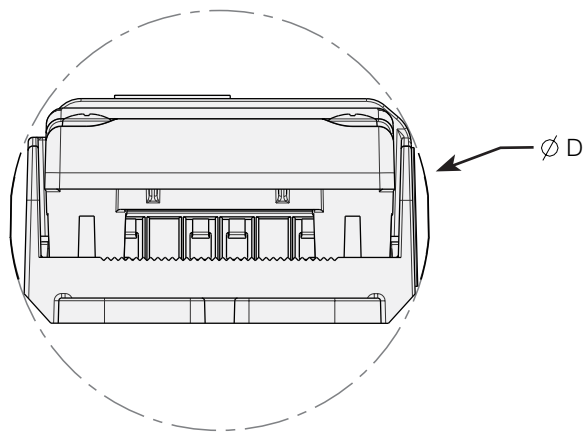
For information on discontinued ballast case dimensions see pg 105)

Case dimensions

R-case



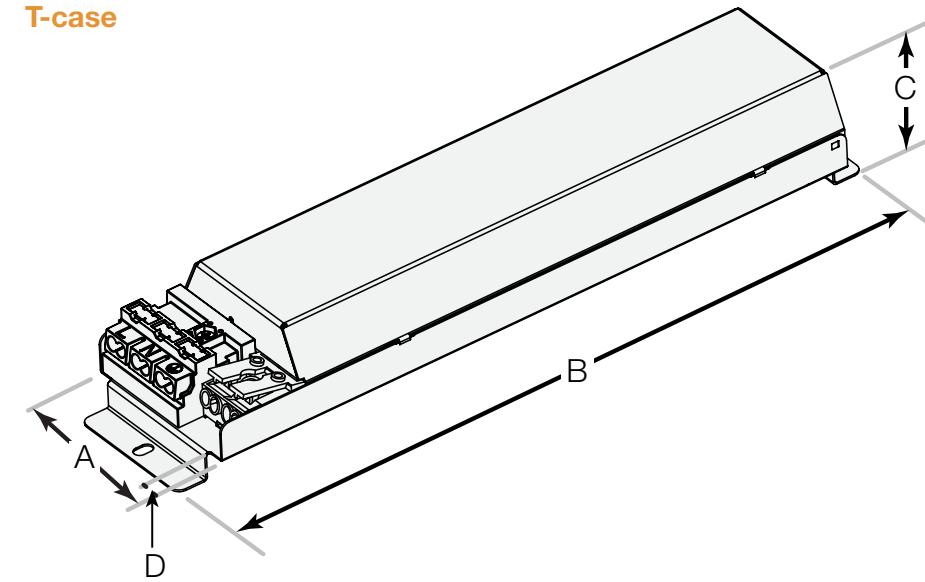
- A 2.11 in (54mm)
- B 8.46 in (215mm)
- C 1.21 in (31mm)
- D 2.36 in (60mm)
- E 1.06 in (27mm)
- F 8.19 in (208mm)



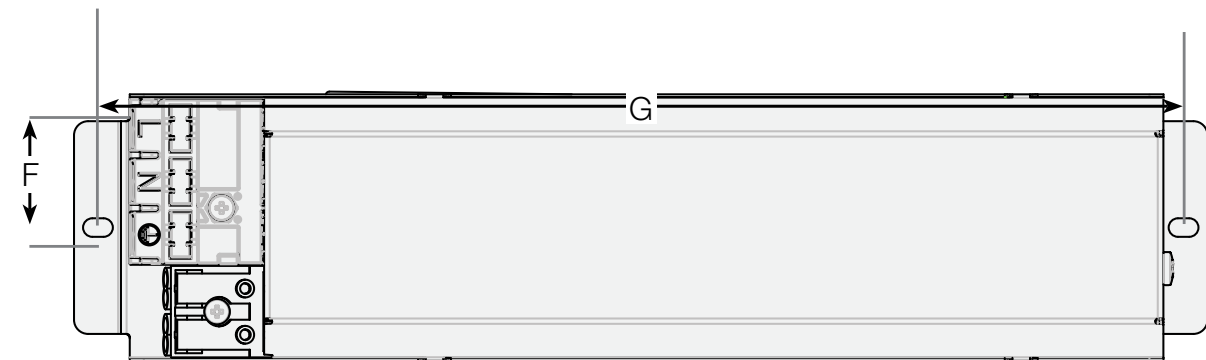
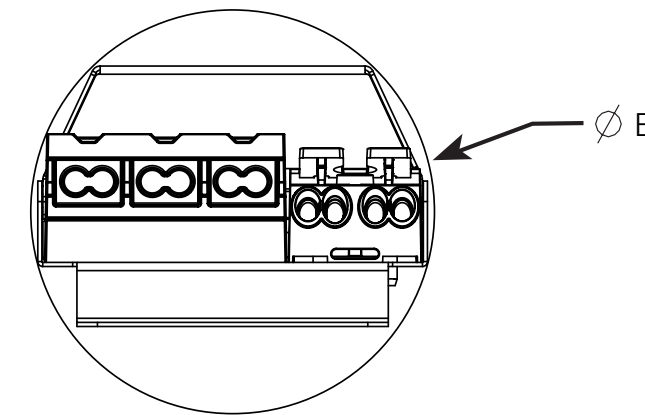
For information on discontinued ballast case dimensions see pg 105)

Case dimensions

T-case



- A 2.28 in (58mm)
- B 9.66 in (245mm)
- C 1.52 in (39mm)
- D 0.35 in (9mm)
- E 2.36 in (60mm)
- F 1.14 in (29mm)
- G 9.25 in (235mm)

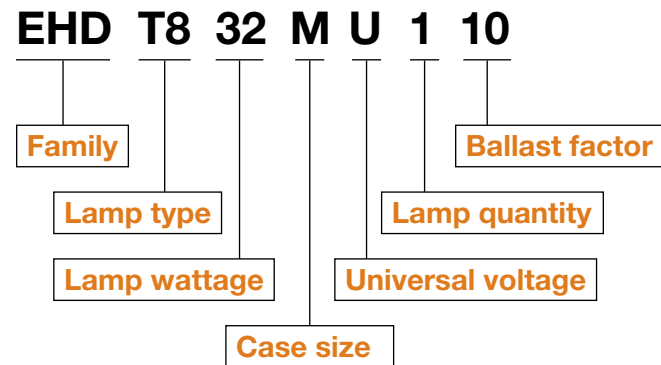


For information on discontinued ballast case dimensions see pg 105)

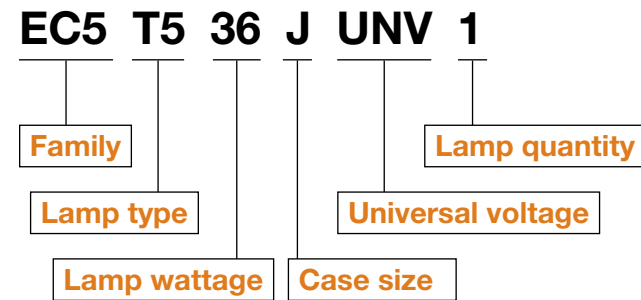
## Understanding ballast model numbers

Lutron ballast model numbers are designed to illustrate basic information about the ballast. For example:

### EcoSystem® H-Series ballasts

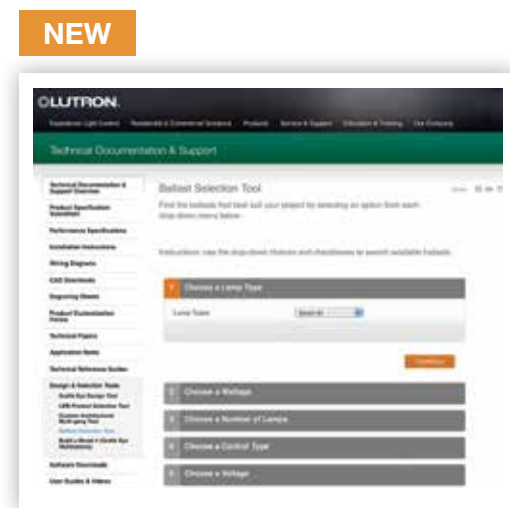


### EcoSystem ballasts



Generate part numbers, confirm ballast performance specifications (input power, system lumens, ballast factor) and select the proper ballast by utilizing the Ballast Selection Tool.

This tool also enables users to choose a Custom Ballast Factor (percentage of light output for a given lamp-ballast combination). Reduced ballast factors achieve greater energy savings and are available for all Lutron ballasts with EcoSystem control.



Ballast Selection Tool with Custom Ballast Factor. Find and configure the ballast that best fits your project: [www.lutron.com/BallastTool](http://www.lutron.com/BallastTool).

## T8 Linear and U-bent

### EcoSystem® H-Series (1% or less dimming) universal voltage digital dimming ballasts

- Dimming to 1% or less
- Compatible with Lutron EcoSystem digital controls only
- Energy saving and cost effective

Lamp Watts (Length)	Lamps per Ballast	Model Number	Case Type <sup>1</sup>	Input Voltage (VAC)	Input Current (A)	Input Power (W)	Ballast Factor (BF) <sup>2</sup>	System Lumens (lm) <sup>3</sup>	System Efficacy (lm/W) <sup>3</sup>	Ballast Efficacy Factor (BEF)	Relative System Efficacy (RSE)	
32W (48 in [122 cm])	1	EHD T832 M U 1 10 <sup>4,5</sup>	M	277	0.12	33.2	1.00	3,000	90	3.01	0.96	
				240	0.14	33.6	1.00	3,000	89	2.98	0.95	
				120	0.29	34.8	1.00	3,000	86	3.01	0.92	
		EHD T832 M U 1 17 <sup>4,5</sup>	M	277	0.15	41.6	1.17	3,510	84	2.82	0.92	
				240	0.17	40.8	1.17	3,510	86	2.87	0.92	
				120	0.34	40.8	1.17	3,510	86	2.87	0.90	
	2		EHD T832 M U 2 10 <sup>4,5</sup>	M	277	0.24	66.5	1.00	6,000	90	1.50	0.96
					240	0.28	67.2	1.00	6,000	89	1.49	0.95
					120	0.57	68.4	1.00	6,000	88	1.46	0.94
		EHD T832 M U 2 17 <sup>4,5</sup>	M	277	0.28	77.6	1.17	7,020	91	1.51	0.97	
				240	0.32	76.8	1.17	7,020	91	1.52	0.98	
				120	0.65	78.0	1.17	7,020	90	1.50	0.96	
3	EHD T832 G U 3 10 <sup>4,5</sup>	G	277	0.37	93.5	1.00	9,000	96	1.07	1.03		
			240	0.40	94.9	1.00	9,000	95	1.05	1.01		
			120	0.83	95.4	1.00	9,000	94	1.05	1.01		
	EHD T832 G U 3 17 <sup>4,5</sup>	G	277	0.41	105.7	1.17	10,530	100	1.11	1.06		
			240	0.47	106.5	1.17	10,530	99	1.10	1.05		
			120	0.95	106.8	1.17	10,530	99	1.10	1.05		
25W (36 in [91 cm])	1	EHD T825 M U 1 10 <sup>5</sup>	M	277	0.11	30.5	1.00	1,900	62	3.28	0.82	
				240	0.11	26.4	1.00	1,900	72	3.79	0.95	
				120	0.26	31.2	1.00	1,900	61	3.21	0.80	
	2	EHD T825 M U 2 10 <sup>5</sup>	M	277	0.20	55.4	1.00	3,800	69	1.81	0.90	
				240	0.23	55.2	1.00	3,800	69	1.81	0.91	
				120	0.47	56.4	1.00	3,800	67	1.77	0.89	

<sup>1</sup> For case type information see pgs. 24–29.

<sup>2</sup> Factory-tuned ballast factors available. To customize, visit [www.lutron.com/BallastTool](http://www.lutron.com/BallastTool).

<sup>3</sup> Actual number may vary with lamp model. Please consult the lamp manufacturer for lamp-specific data.

<sup>4</sup> NEMA Premium models available. Add a “-NP” to the model number when ordering (ie: EHD T832 M U 1 10 -NP).

<sup>5</sup> BAA models available. Add a “U” to prefix of model number when ordering (ie: UEHD T832 M U 1 10).

<sup>6</sup> 347V ballasts are CSA certified only.

T5 Linear (continued) 

EcoSystem® (10% dimming) universal voltage digital dimming ballasts											
<ul style="list-style-type: none"> <li>• Dimming to 10%</li> <li>• Compatible with Lutron 3-wire fluorescent controls and EcoSystem digital controls</li> <li>• Integral sensor connections</li> </ul>											
Lamp Watts (Length)	Lamps per Ballast	Model Number	Case Type <sup>1</sup>	Input Voltage (VAC)	Input Current (A)	Input Power (W)	Ballast Factor (BF) <sup>2</sup>	System Lumens (lm) <sup>3</sup>	System Efficacy (lm/W) <sup>3</sup>	Ballast Efficacy Factor (BEF)	Relative System Efficacy (RSE)
35W (57.1 in [145 cm])	1	EC5 T535 J UNV 1	J	277	0.15	42.0	1.00	3,650	87	2.38	0.83
				240	0.18	42.3	1.00	3,650	87	2.38	0.83
				120	0.35	42.2	1.00	3,650	87	2.38	0.83
28W (45.2 in [115 cm])	1	EC5 T528 J UNV 1	J	277	0.12	32.6	1.00	2,900	89	3.07	0.86
				240	0.14	32.9	1.00	2,900	88	3.04	0.85
				120	0.27	32.9	1.00	2,900	88	3.04	0.85
	2	EC5 T528 J UNV 2	J	277	0.23	64.5	1.00	5,800	90	1.55	0.87
				240	0.27	65.0	1.00	5,800	89	1.54	0.86
				120	0.54	65.2	1.00	5,800	89	1.53	0.86
21W (33.4 in [84 cm])	1	EC5 T521 J UNV 1	J	277	0.09	24.9	1.00	2,100	84	4.01	0.84
				240	0.12	28.8	1.00	2,100	73	3.47	0.73
				120	0.22	26.4	1.00	2,100	80	3.79	0.80
	2	EC5 T521 J UNV 2	J	277	0.17	46.0	1.00	4,200	91	2.17	0.91
				240	0.20	47.2	1.00	4,200	89	2.12	0.89
				120	0.39	47.2	1.00	4,200	89	2.12	0.89
14W (21.6 in [55 cm])	1	EC5 T514 J UNV 1	J	277	0.07	19.0	1.00	1,350	71	5.26	0.74
				240	0.08	19.2	1.00	1,350	70	5.21	0.74
				120	0.16	19.2	1.00	1,350	70	5.21	0.74
	2	EC5 T514 J UNV 2	J	277	0.12	32.8	1.00	2,700	82	3.05	0.85
				240	0.14	33.3	1.00	2,700	81	3.00	0.85
				120	0.28	33.3	1.00	2,700	81	3.00	0.85

<sup>1</sup> For case type information see pgs. 24–29.  
<sup>2</sup> Factory-tuned ballast factors available. To customize, visit [www.lutron.com/BallastTool](http://www.lutron.com/BallastTool).  
<sup>3</sup> Actual number may vary with lamp model. Please consult the lamp manufacturer for lamp-specific data.

T5 HO Linear 

EcoSystem® H-Series (1% dimming) universal voltage digital dimming ballasts											
<ul style="list-style-type: none"> <li>• Dimming to 1%</li> <li>• Compatible with Lutron EcoSystem digital controls</li> <li>• Energy saving and cost effective</li> </ul>											
Lamp Watts (Length)	Lamps per Ballast	Model Number	Case Type <sup>1</sup>	Input Voltage (VAC)	Input Current (A)	Input Power (W)	Ballast Factor (BF) <sup>2</sup>	System Lumens (lm) <sup>3</sup>	System Efficacy (lm/W) <sup>3</sup>	Ballast Efficacy Factor (BEF)	Relative System Efficacy (RSE)
54W (45.2 in [115 cm])	1	EHD T554 M U 1 10 <sup>4</sup>	M	277	0.23	63.7	1.00	5,000	78	1.57	0.85
				240	0.26	62.4	1.00	5,000	80	1.60	0.87
				120	0.54	64.8	1.00	5,000	77	1.54	0.83
	2	EHD T554 M U 2 10 <sup>4</sup>	M	277	0.42	116.3	1.00	10,000	86	0.86	0.93
				240	0.48	115.2	1.00	10,000	87	0.87	0.94
				120	0.95	114.0	1.00	10,000	88	0.88	0.95
	1	EHD T554 M E 1 10	M	240	0.26	62.4	1.00	5 000	80	1.60	0.87
				220	0.29	63.8	1.00	5 000	78	1.57	0.85
				240	0.48	115.2	1.00	10 000	87	0.87	0.94
2		EHD T554 M E 2 10	M	220	0.51	112.2	1.00	10 000	89	0.89	0.96
				347	0.17	58.4	1.00	5,000	86	1.71	0.92
				347	0.34	116.8	1.00	10,000	86	0.86	0.92
39W (33.4 in [84 cm])	1	EHD T539 M U 1 10 <sup>4</sup>	M	277	0.17	46.0	1.00	3,500	76	2.17	0.85
				240	0.19	44.9	1.00	3,500	78	2.23	0.87
				120	0.37	44.4	1.00	3,500	79	2.25	0.88
	2	EHD T539 M U 2 10 <sup>4</sup>	M	277	0.29	81.4	1.00	7,000	86	1.23	0.96
				240	0.35	84.0	1.00	7,000	83	1.19	0.93
				120	0.70	84.0	1.00	7,000	83	1.19	0.93
	1	EHD T539 M E 1 10	M	240	0.18	43.2	1.00	3 500	81	2.31	0.90
				220	0.19	41.8	1.00	3 500	84	2.39	0.93
				240	0.34	81.6	1.00	7 000	86	1.23	0.96
2	EHD T539 M E 2 10	M	240	0.39	85.8	1.00	7 000	82	1.17	0.91	

<sup>1</sup> For case type information see pgs. 24–29.  
<sup>2</sup> Factory-tuned ballast factors available. To customize, visit [www.lutron.com/BallastTool](http://www.lutron.com/BallastTool).  
<sup>3</sup> Actual number may vary with lamp model. Please consult the lamp manufacturer for lamp-specific data.  
<sup>4</sup> BAA models available. Add a “U” to the prefix of model number when ordering (ie: UEHD T832 M U 2 10).  
<sup>5</sup> 347V ballasts are CSA certified only.