

Anti-Rotational Connectors

“No-turn” design keeps connector securely in place — even under vibration.

Anti-Rotational Connectors

Blackburn® Anti-Rotational Connectors are designed with a rib on the bottom that keeps the connectors from turning, so there's no need to apply excessive torque and there's no danger of loosening connectors.

The unique “no-turn” rib provides a secure connection that eliminates the conductor pinching that results from connector movement.

The “no-turn” design solves a unique problem for electricians and installers. Larger conductors tend to get damaged in over-torque conditions, and connectors are prone to loosen in applications where there is vibration, such as motor loads.

Inspectors and local standards boards are requiring electricians and installers to make provisions to eliminate these conditions, and Blackburn® Anti-Rotational Connectors are the solution.

- Unique bottom rib keeps connector from turning
- Eliminates the need for excessive torque, which can damage large conductors
- Prevents connector loosening, even in heavy-vibration applications



Connectors & Grounding — Blackburn® Mechanical Connectors

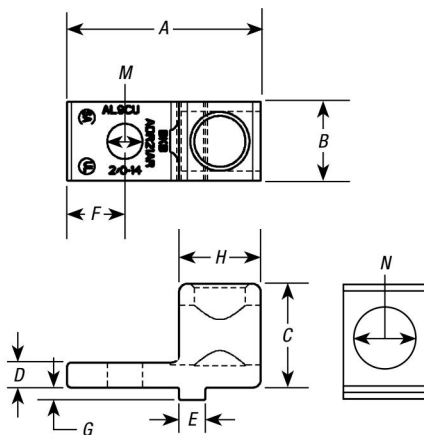


Fig. 1

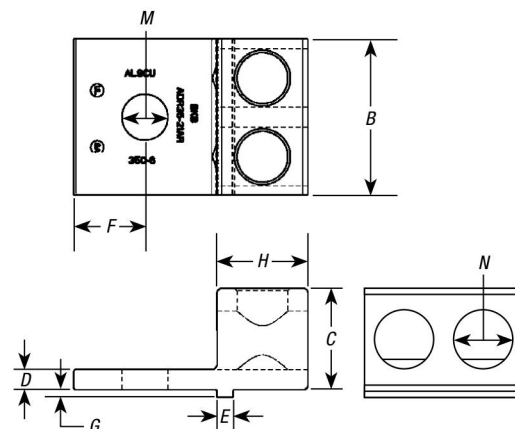


Fig. 2



| CAT. NO. | WIRE RANGE | BOLT HOLE (IN.) | DIMENSIONS | | | | | | | | | | | FIG. |
|-------------|-----------------|-----------------|------------|-------|-------|------|------|------|------|-------|------|------|---|------|
| | | | A | B | C | D | E | F | G | H | M | N | | |
| ADR21-AR | 2/0-14 AWG | 1/4 | 1.470 | .600 | .790 | .190 | .200 | .438 | .094 | .620 | .267 | .453 | 1 | |
| ADR30-AR | 300 kcmil-6 AWG | 7/16 | 2.000 | 1.000 | 1.120 | .250 | .200 | .468 | .094 | 1.000 | .330 | .656 | 1 | |
| ADR35-AR | 350 kcmil-6 AWG | 5/16 | 2.250 | 1.120 | 1.125 | .250 | .200 | .485 | .094 | 1.120 | .408 | .719 | 1 | |
| ADR60-AR | 600 kcmil-2 AWG | 1/2 | 3.120 | 1.500 | 1.560 | .440 | .200 | .720 | .094 | 1.380 | .408 | .938 | 1 | |
| ADR35-21-AR | 350 kcmil-6 AWG | 3/8 | 2.880 | 1.500 | 1.250 | .250 | .200 | .875 | .094 | 1.120 | .563 | .719 | 2 | |
| ADR60-21-AR | 600 kcmil-2 AWG | 1/2 | 3.120 | 2.400 | 1.560 | .440 | .200 | .555 | .094 | 1.380 | .531 | .938 | 2 | |