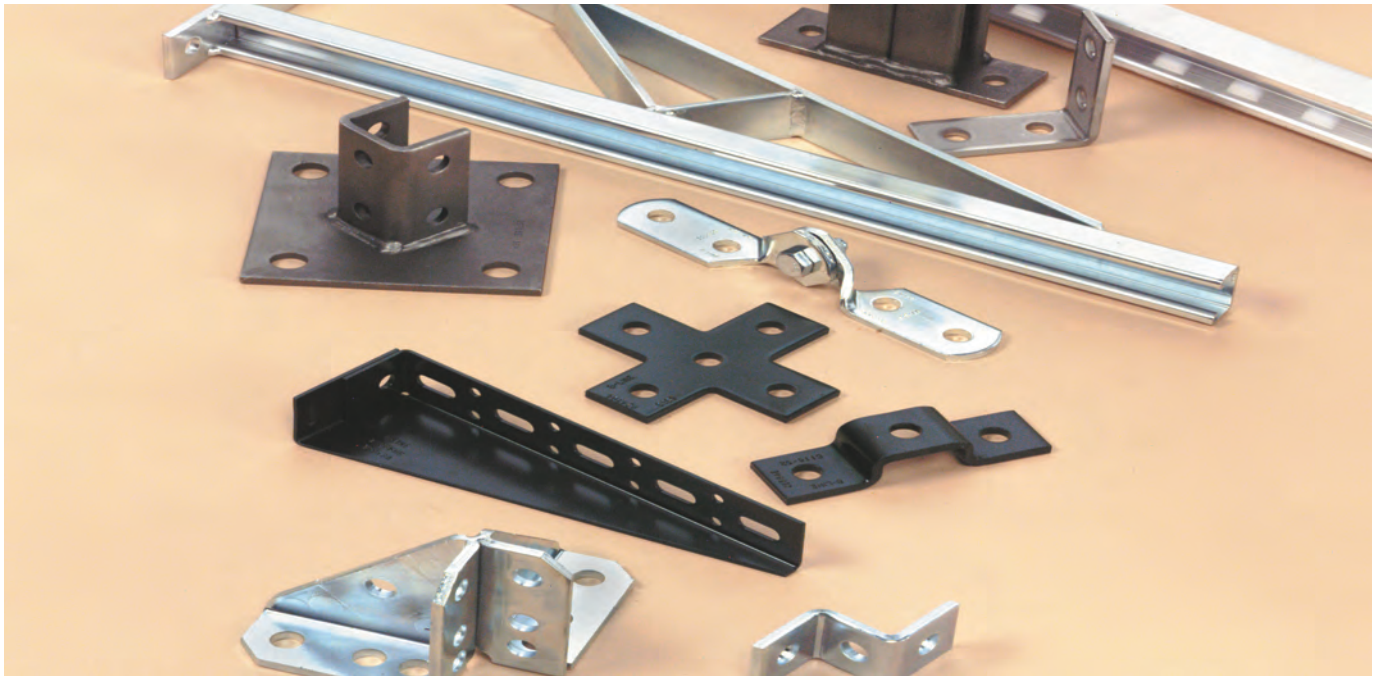


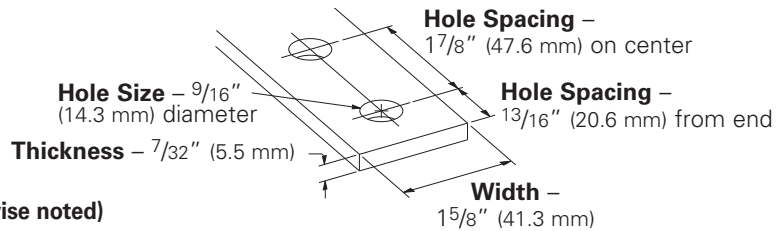
Fittings



This section offers a full selection of fittings and accessories to complete our strut system. Fittings are made from hot rolled, pickled and oiled plate or strip steel in accordance with ASTM A1018 33,000 PSI min. yield, unless noted.

Dimensions

The following dimensions apply to all fittings except as noted:



Materials & Finishes (Unless otherwise noted)

| Finish Code | Finish | Specification |
|-------------|--------------------------|----------------------------------------|
| PLN | Plain | ASTM A1018 33,000 PSI min. yield |
| ZN | Electro-Plated Zinc | ASTM B633 SC3 Type III or ASTM A653 |
| GRN | DURA GREEN™ | |
| HDG | Hot-Dipped Galvanized | ASTM A123 |
| SS4 | Stainless Steel Type 304 | ASTM A240 |
| SS6 | Stainless Steel Type 316 | ASTM A240 |
| AL | Aluminum | ASTM B209 |

Note: A minimum order may apply on special material and finishes.

Hardware

Nuts and bolts are not included with the fittings and must be ordered separately, unless noted.

Pre-Assembled Fittings

Some fittings are available with hex head cap screws and channel nuts pre-assembled.

These fittings and finishes will be flagged using the following symbol.



PA ^{ZN}
GRN

Metric

Metric dimensions are shown in parentheses. Unless noted, all metric dimensions are in millimeters.

Load Data

The load data published includes safety factor of 2.5 when used with 12 ga. (2.6) channel (safety factor = ratio of ultimate load to the design load).

Use 1/2"-13 x 7/8" hex head cap screws and 1/2"-13 (N225 or TN225) channel nuts for the rated results.

Recommended Bolt Torque

| Bolt Size | 1/4"-20 | 5/16"-18 | 3/8"-16 | 1/2"-13 |
|-----------|---------|----------|---------|---------|
| Foot/Lbs. | 6 | 11 | 19 | 50 |
| Nm | 8 | 15 | 26 | 68 |

See chart on page 113 for setscrew torque.

4Dimension™ Strut System Compatible

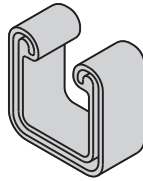
These fittings and finishes will be flagged using the following symbol.



Miscellaneous Fittings

B823 Profile End Caps

- Material: Polyvinyl Chloride (PVC/Vinyl)
- Withstands intermittent temperatures up to 350°F (177°C) and 200°F (93°C) continuous
- Available in colors: White (W), Yellow (Y), Black (BLK), Gray (GRY), Green (GRN)

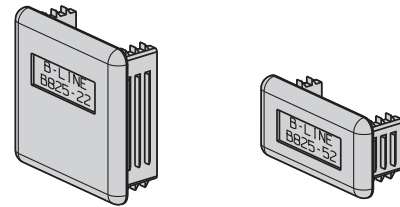


Approx. 3/4" deep
(19.0)

| Part No. | Fits Channel Sizes | Wt./C | |
|-----------------|--------------------|-------|-------|
| | | Lbs. | kg |
| B823-22A | B22A, B24A, B26A | 6.9 | (3.1) |
| B823-22 | B22, B24, B26 | 4.1 | (1.8) |
| B823-42 | B42 | 3.8 | (1.7) |
| B823-52 | B52, B54, B56 | 3.5 | (1.6) |

B825 Plastic End Caps

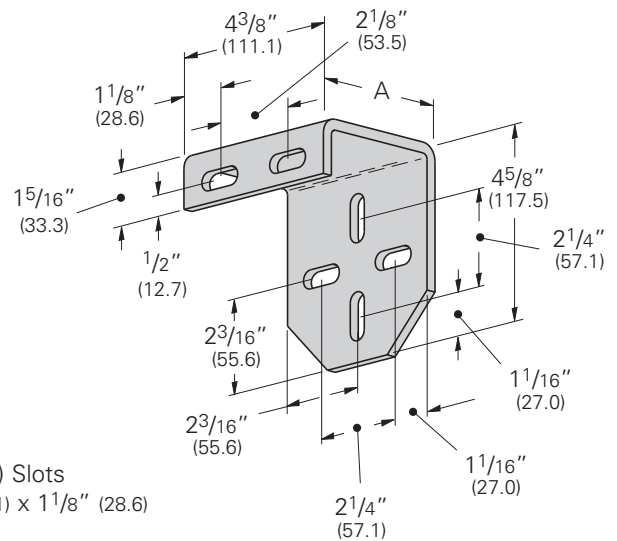
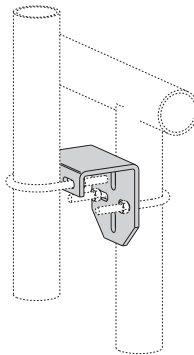
- Material: Polyurethane
- Available in colors: Gray (GRY), Green (GRN)



| Part No. | Fits Channel Sizes | Wt./C | |
|----------------|--------------------|-------|-------|
| | | Lbs. | kg |
| B825-22 | B22 & B24 | 2.0 | (0.9) |
| B825-52 | B52 & B54 | 1.0 | (0.4) |

B408SLBVNS Series Stand-Off Brackets

- Material: 1/4" (6.3)
- Standard Finishes: HDG, ZN, GRN
- For pipe or rigid conduit sizes of 1 1/2" (40) and 2" (50) use with B501 Series 'U'-Bolts (see page 53)
- For strut channels 1 5/8" (41.3) wide use with B500 Series Square 'U'-Bolts (see page 53)
- Hardware is not included



| Part No. | A In. (mm) | Wt./C | |
|--------------------|---------------|-------|---------|
| | | Lbs. | kg |
| B408SLBVNS | 3 1/2" (88.9) | 189 | (85.7) |
| B408SLBVNS1 | 3" (76.2) | 220 | (99.8) |
| B408SLBVNS2 | 2" (50.8) | 236 | (107.0) |

Reference page 73 for general fitting and standard finish specifications.