

Electrical Accessories



A complete system of top quality, time saving products, designed for surface metal raceways, lighting and cable supports. Innovative designs offer many installation advantages. The surface raceways are U.L. listed and meet the requirements of the National Electrical Code, Article 384.

Surface Raceways

Our channel provides structural support in addition to a raceway system.

For U.L. wire fill see chart on page 231-232.

Cable Supports

A full range of clamps and saddles are offered in porcelain, thermoplastic elastomer and maple. Our maple clamps, Insulclamp™ cable clamps and porcelain saddles are furnished complete with steel clamps (electro-plated) and Everdur hardware where required.

Materials & Finishes*

Steel products are made from low carbon steel strips or plates. Porcelain saddles and clamps are made by dry process and white glazed (porcelain dielectric strength is 50 volts per mil). Maple clamps are made from kiln-dried maple wood, paraffin impregnated.

*Unless otherwise noted.

Finish Code	Finish	Specification
PLN	Plain	ASTM A1011 33,000 PSI min. yield
ZN	Electro-Plated Zinc	ASTM B633 SC3 Type III
GRN	DURA GREEN™	
GALV	Pre-Galvanized	ASTM B653
YZN	Yellow Zinc Chromate	ASTM B633 SC3 Type II

Design Load

Design load data published includes a Safety Factor of 3.0 (Safety Factor = Ratio of ultimate load to the design load).

U.L. listed raceway channels:

B11, B11KO6	B32, B32KO6
B12, B12KO6	B42, B42KO6
B22, B22KO6	B52, B52KO6
B24, B24KO6	B54, B54KO6
B26, B26KO6	B56, B56KO6

U.L. File No. E29637

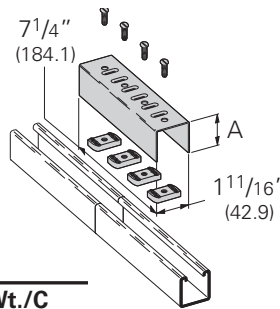
In all cases, the snap-in closure strip is required to complete raceway enclosure.

Metric

Metric dimensions are shown in parentheses. Unless noted, all metric dimensions are in millimeters.

B166 Four Hole Splice Clevis

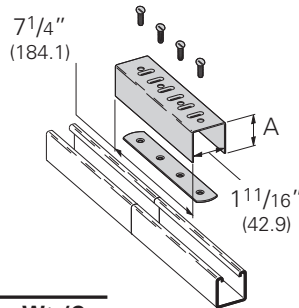
- Includes:
 - 1 Splice Clevis
 - 4 pcs. 1/4"-20 Flat Head Machine Screws
 - 4 pcs. N224WO Channel Nuts
- Material: 16 Gauge (1.5)
- Standard finishes: ZN, GRN



Part No.	A		For Channel Size	Wt./C	
	In.	mm		Lbs.	kg
B166-11	3 1/4"	(82.5)	B11	128	(58.0)
B166-12	2 7/16"	(61.9)	B12	108	(49.0)
B166-22	1 5/8"	(41.3)	B22, B24, B26	91	(40.3)
B166-32	1 3/8"	(34.9)	B32	83	(37.6)
B166-42	1"	(25.4)	B42	75	(34.0)
B166-52	1 3/16"	(20.6)	B52, B54, B56	71	(32.2)

B166-46 Four Hole Splice Clevis Assembly

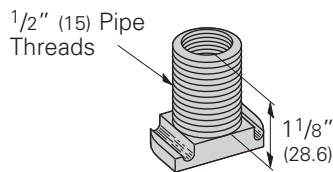
- Requires ground wire for use with UL listed channel raceway system
- Includes:
 - 1 Splice Clevis
 - 1 pc. B466W tapped plate
 - 4 pcs. 1/4"-20 Flat Head Machine Screws
- Material: 16 Gauge (1.5)
- Standard finishes: ZN, GRN



Part No.	A		For Channel Size	Wt./C	
	In.	mm		Lbs.	kg
B166-46-11	3 1/4"	(82.5)	B11	118	(53.5)
B166-46-12	2 7/16"	(61.9)	B12	98	(44.4)
B166-46-22	1 5/8"	(41.3)	B22, B24, B26	79	(35.8)
B166-46-32	1 3/8"	(34.9)	B32	73	(33.1)
B166-46-42	1"	(25.4)	B42	65	(29.5)
B166-46-52	1 3/16"	(20.6)	B52, B54, B56	61	(27.6)

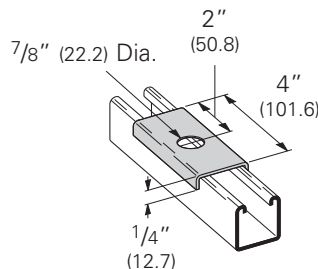
B393-1 Wiring Stud

- Requires ground wire for use with UL listed channel raceway system
- 1/2" (15) pipe threads
- Material: Cast Aluminum
- Wt./C 6 Lbs. (2.7 kg)



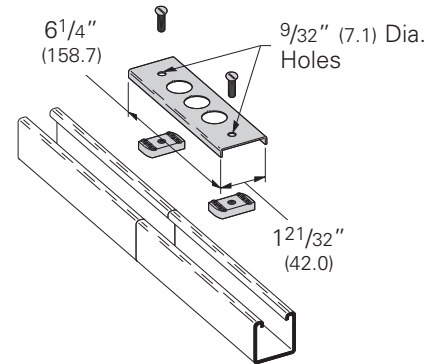
B589 Spacer Clevis

- Can be used with B393-1 wiring stud
- Material: 12 Gauge (2.6)
- Standard finish: ZN
- Wt./C 29 Lbs. (13.1 kg)



B619 Knock-Out Plate

- Requires ground wire for use with UL listed channel raceway system
- Includes:
 - 2 pcs. 1/4"-20 Flat Head Machine Screws
 - 2 pcs. N224WO Channel Nuts
- Material: 16 Gauge (1.5)
- 1/2" (15) Conduit Knockouts
- Standard finish: ZN
- Wt./C 40 Lbs. (18.1 kg)



B166CL Splice Clevis Clip

- Use to cover gap between strut
- Material: 18 Gauge (1.2)
- Standard finish: ZN
- Wt./C 4 Lbs. (1.8 kg)

