

Hubbellock® Devices  
 30A, 600V AC, 20A, 250V DC, 3 Pole, 4 Wire  
 Grounding

# HUBBELL

## Hubbellock® Flanged Inlet

### Features

- Molded-in male contacts are resistant to damage and provide a consistently positive connection
- Insulated non-metallic housing enhances safety and abuse resistance
- Box terminals in conjunction with screws with pressure pads provide maximum termination strength and dependability
- Metallic weather protective spring loaded cover provides protection from moisture and dust

### Ordering Information

Description	Device Color	UPC	Catalog Number
Black phenolic interior, aluminum housing	Metallic	783585017457	HBL20418

### Listings

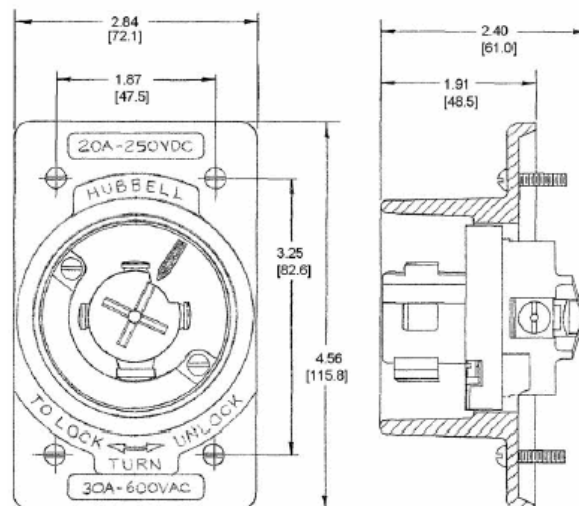
Listed to UL Standard  
 Certified to CSA Standard

### Specifications

Housing	Cast Aluminum
Inlet Interior	Thermoset
Contacts	Brass
Terminal Screws	Zinc plated steel

### Performance

Electrical	
Current Interrupting	Certified for current interrupting at full rated current
Dielectric Voltage	2,000V minimum
Mechanical	
Terminal Accommodation	#10 AWG - #6 AWG solid or stranded copper wire only.
Terminal Identification	Terminals identified in accordance with UL 498
Environmental	
Flammability	UL 94 V0 for Receptacles and Inlets.HB or better for Plugs and Connectors
Moisture Resistance	IP30 Suitability
Operating Temperatures	Maximum Continuous 75°C; Minimum -40°C (w/o impact)



### Accessories

Connector	HBL21414B
Corrosion Resistant Connector	HBL21CM414B

### Resources

Customer Use Drawing  
 eCatalog

Dimensions in Inches (mm)

Hubbell Wiring Device-Kellems • Hubbell Incorporated (Delaware) • 40 Waterview Drive • Shelton, CT 06484

Phone (800) 288-6000 • Fax (800) 255-1031 • Specifications subject to change without notice.

