

Straight Blade Devices  
 30A, 125/250V, 3 Pole, 3 Wire Non-Grounding  
 Single Receptacle

# HUBBELL

## Features

- Sequenced contacts assure protection
- Catalog number, ratings and certifications molded in face
- One piece design power and ground contacts

## Ordering Information

Description	Device Color	UPC	Catalog Number
Receptacle, black phenolic	Black	783585015255	HBL9350

## Listings

UL Listed File E2186  
 CSA Certified  
 NEMA® WD-6 Compliant

## Specifications

Housing	Reinforced Thermoplastic Polyester
Mounting Plate	.062 in. (1.5) Pre-Plated Steel
Contacts	Brass
Ground Shunt	Brass
Box Terminals	Copper

## Performance

### Electrical

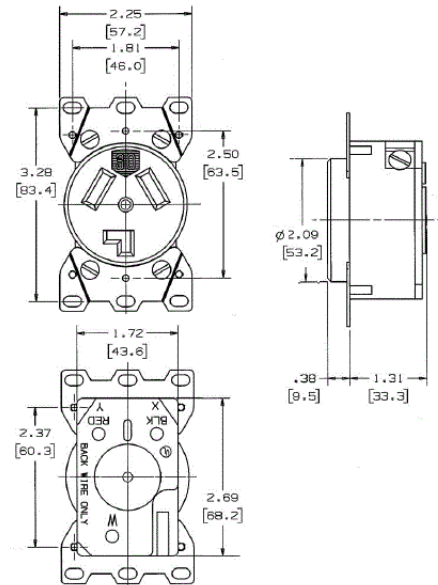
Current Interrupting Certified for current interrupting at full rated current  
 Dielectric Voltage Withstands 2,000V minimum

### Mechanical

Product Identification Ratings are a permanent part of the device  
 Terminal Accommodation #12 AWG through #4 AWG copper wire only  
 Terminal Identification Terminals identified in accordance with UL 498 and CSA

### Environmental

Flammability UL 94 V-1 or better  
 IP Suitability IP20  
 Operating Temperatures Maximum continuous 75°C; minimum -40°C (w/o impact)



## Accessories

Wallplate or Weatherproof Cover 2.16" Opening

## Resources

Customer Use Drawing  
 eCatalog

Dimensions in Inches (mm)

Hubbell Wiring Device-Kellems • Hubbell Incorporated (Delaware) • 40 Waterview Drive • Shelton, CT 06484

Phone (800) 288-6000 • Fax (800) 255-1031 • Specifications subject to change without notice.

