

Twist-Lock® Devices 20A, 250V AC, 2 Pole, 2 Wire Non-Grounding Insulgrip® Connector

HUBBELL

Features

- Insulated nylon construction to keep non-current carrying parts from becoming energized
- Tough ribbed nylon housing for secure gripping
- Two-part cord grip tightens with two screws for maximum retention force.



20A 250V
NEMA L2-20P
UL Listed
2 HP



Ordering Information

| Description | Cord Diameter | UPC | Catalog Number |
|-----------------------|---------------------------|--------------|----------------|
| Black and white nylon | .230"-.720" (5.6-18.3) | 783585177007 | HBL7101C |

Listings

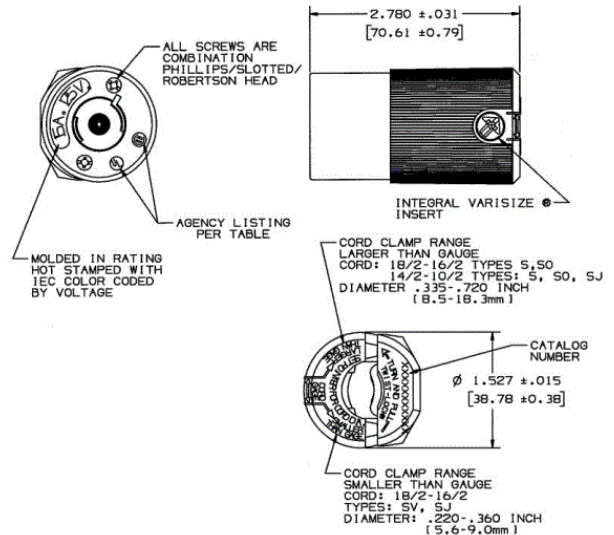
Listed to UL Standard 498
Fed Spec W-C-596

Specifications

| | |
|-------------------|-----------------------------------|
| Body | Nylon |
| Terminal Retainer | Clear polycarbonate |
| Contacts | Bronze |
| Terminal Screw | Brass |
| Terminal Clamp | Cold rolled steel – nickel plated |
| Assembly Screws | Steel - zinc plated |

Performance

| | |
|-------------------------|--|
| Electrical | |
| Current Interrupting | Certified for current interrupting at full rated current |
| Dielectric Voltage | Withstands 2,000V minimum |
| Mechanical | |
| Terminal Accommodation | #18 AWG - #10 AWG stranded copper wire only. |
| Terminal Identification | Terminals identified in accordance with UL 498 |
| Environmental | |
| Flammability | HB or better per UL94/CSA 22.2 No.0.17 |
| Moisture Resistance | IP20 Suitability |
| Operating Temperatures | Maximum Continuous 75°C; Minimum -40°C (w/o impact) |



Accessories

| | |
|-------------------|----------|
| Plug | HBL7102C |
| Weatherproof Boot | HBL6024 |

Resources

Customer Use Drawing
eCatalog

Dimensions in Inches (mm)

Hubbell Wiring Device-Kellems • Hubbell Incorporated (Delaware) • 40 Waterview Drive • Shelton, CT 06484

Phone (800) 288-6000 • Fax (800) 255-1031 • Specifications subject to change without notice.

