



RS-WP

Weatherproof Remote Fixture Series



FEATURES

- PAR 36, surface-mounted industrial remote fixtures
 - Available in single, double or triple head fixtures
 - Durable thermoplastic construction suitable for industrial or high abuse areas
 - CSA certified to C22.2 No. 141-15
- See warranty details at: www.tnb.ca/en/brands/lumacell

WIRE GUARDS

460.0029-L	Wall Mount (RS10WP)
460.0031-L	Wall Mount (RS20WP)

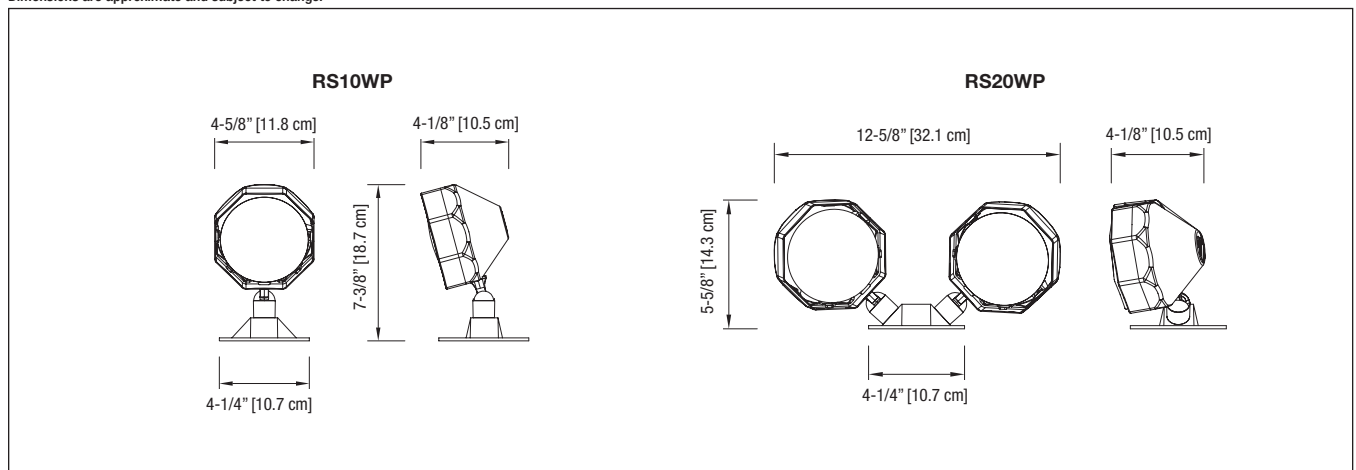
REPLACEMENT LAMPS

MODEL	LAMP TYPE	VOLTAGE-WATTAGE
570.0016-L	Tungsten	6V-9W
570.0025-L	Tungsten	12V-9W
570.0079-L	Tungsten	24V-9W

See the complete list p. 152-154.

DIMENSIONS

Dimensions are approximate and subject to change.



ORDERING INFORMATION

SERIES	# OF HEADS	VOLTAGE	COLOUR	OPTIONS
RS= PAR 36	10= single head 20= double head 30T= triple head	WP6V9W = 6V-9W, tungsten, wedge base WP6V_W = 6V-18 or 25W, tungsten, D.C.B. WP12V_W = 12V-9 or 18W, tungsten, wedge base WP24V_W = 24V-9 or 18W, tungsten, wedge base WP24V25W = 24V-25W, tungsten, D.C.B. QWP6V_W = 6V-8 or 20W, halogen QWP12V_W = 12V-8, 12, 20, halogen QWP24V_W = 24V-20, halogen SBWP6V_W = 6V-8, 12, 18 or 25W, tungsten, sealed beam SBWP12V_W = 12V-12, 18 or 25W, tungsten, sealed beam QSBWP6V_W = 6V-8, 12 or 20W, halogen, quartz, sealed beam QSBWP12V_W = 12V-8, 12 or 37W, halogen, quartz, sealed beam WP32V_W = 32V-18 or 25W, tungsten, D.C.B. WP120V_W = 120V-10 or 15W, tungsten, D.C.B. Q120V35W = 120V-35W, halogen, DCB	Blank = black WH = factory white	TC = teflon coated lens
		Note: " _ " = insert wattage required.		

EXAMPLE: RS10WP6V9W