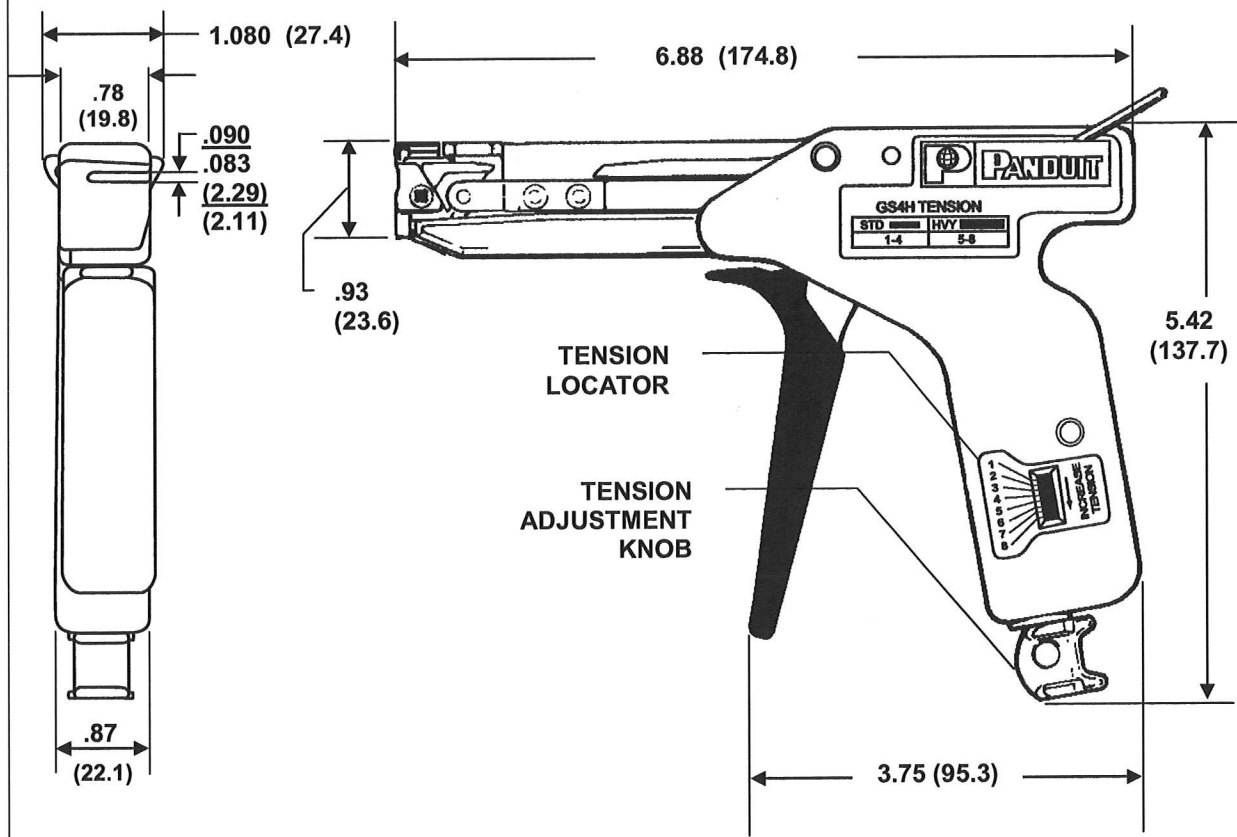


THIS COPY IS PROVIDED ON A RESTRICTED BASIS AND IS NOT TO BE USED IN ANY WAY DETRIMENTAL TO THE INTERESTS OF PANDUIT CORP.



**SPECIFICATIONS:**

PANDUIT TOOL NO.: GS4H  
 TOOL WEIGHT: 16 oz. (454 gr.)

INSTALLS STANDARD, HEAVY-STANDARD, LIGHT-HEAVY AND HEAVY CROSS SECTION CABLE TIES.

**CABLE TIE CROSS SECTION CODE:**

S = STANDARD  
 HS = HEAVY STANDARD  
 LH = LIGHT HEAVY  
 H = HEAVY

THIS MILITARY STANDARD MS-90387-2 TOOL CAN BE USED TO INSTALL THE FOLLOWING MS STRAPS:

MS-3367-1, -2, -3, -6, -7, -23, -24, -25, -29; AND MS-3368-1, -2, -3, -4.

- THIS TOOL TIGHTENS CABLE TIES AND CUTS OFF EXCESS PORTION WHEN PRESET TENSION IS ATTAINED.
- SUPPLIED WITH SELECTOR KNOB FOR TENSION ADJUSTMENT.

**REFERENCE:**

K4H-BLD: Blade Replacement Kit  
 WH18435B02 - Blade Guard Assembly  
 TTLK3: Tension Locking Kit

DIMENSION SHOWN IN PARENTHESES ARE METRIC.

F:\RVUSERS\ENGDOCS\CUSTDWGS\GSH-00935A-CD\_10.doc

REV	DATE	BY	CHK	APR	DESCRIPTION	ECN
10	2-06-13	BLR	<i>[Signature]</i>	<i>[Signature]</i>	UPD TEMPLATE & BRANDING	4608
<p><b>GS4H</b>  <b>CABLE TIE INSTALLATION TOOL</b></p> <p>CUSTOMER DRAWING</p> <p>ITEM REVISION NAME:  <b>GSH-00935A-CD_10</b></p> <p>UNLESS OTHERWISE SPECIFIED,                  DIMENSIONAL TOLERANCES ARE:                  (.x) ± ---      (.xxx) ± ---                  (.xx) ± ---      ANGLES ± ---</p> <p> THIRD ANGLE PROJECTION</p> <p>DRAWN BY: BLR      DATE: 2-20-04      CHK: ABJ      SCALE: NONE</p>						
						<p><b>PANDUIT</b></p>
						<p>MATERIAL:                  -----</p>
						<p>DRAWING NUMBER:  <b>GSH-00935A-CD</b></p>
						<p>SHT 1 OF 1</p>
						<p>SIZE  <b>A</b></p>