

SK | AIR CURTAIN™

CEILING FAN HEATER



**AIR
CURTAIN™**



HEAT FROM ABOVE

The Air curtain ceiling fan heater silently beams down heat from above. This unique model is ideal for rooms where wall space is limited. In bathrooms, the Air curtain can be installed just outside the shower or bathtub. With its ceiling-recessed casing, the Air curtain is an excellent way to provide discreet air circulation. The result: uniform heating and air movement, and reduction in mirror and window fog. By adding a wall timer, you can use it on demand.

CEILING MOUNTED

IDEAL FOR ROOMS WITH LIMITED WALL SPACE

HEATING ON DEMAND

OPTIONAL WALL TIMER

COMPACT AND QUIET

347 V MODEL AVAILABLE

COLOURS

- **standard:** white, soft white
- **Orora (optional):** refer to www.stelpro.com/en-CA/Orora

FINISH

- epoxy-polyester powdercoat

MANUFACTURING

- 22-gauge steel cabinet and 1/4 in. (6.4 mm) deep 20-gauge steel front grille
- easy access for maintenance (no screws)

THERMAL PROTECTION

- thermal protection with automatic reset

ELEMENT

- nichrome element produces instant heat

CONTROL

- built-in thermostat (optional)
- wall thermostat (not included) – the use of an electronic thermostat is strongly recommended
- 60 minute timer (optional)

INSTALLATION

- ceiling mounted (recommended height 8 ft., maximum 9 ft.)
- surface mounted with surface adapter (optional)
- recessed or surface mounted with adapter for suspended ceiling (optional)
- unit can be mounted parallel or perpendicular to ceiling beams
- approved to be recessed in mineral wool; for all other materials please check with insulating product manufacturer

WARRANTY

- five years

IDEAL FOR:

bathroom, entryway, daycare centre, room with limited wall space

°STELPRO

Stelpro reserves the right to modify descriptions, manufacturing specifications or prices without prior notice. No returns accepted on optional-colour products. For all the latest models and prices, please refer to our website at www.stelpro.com.



TECHNICAL SPECIFICATIONS

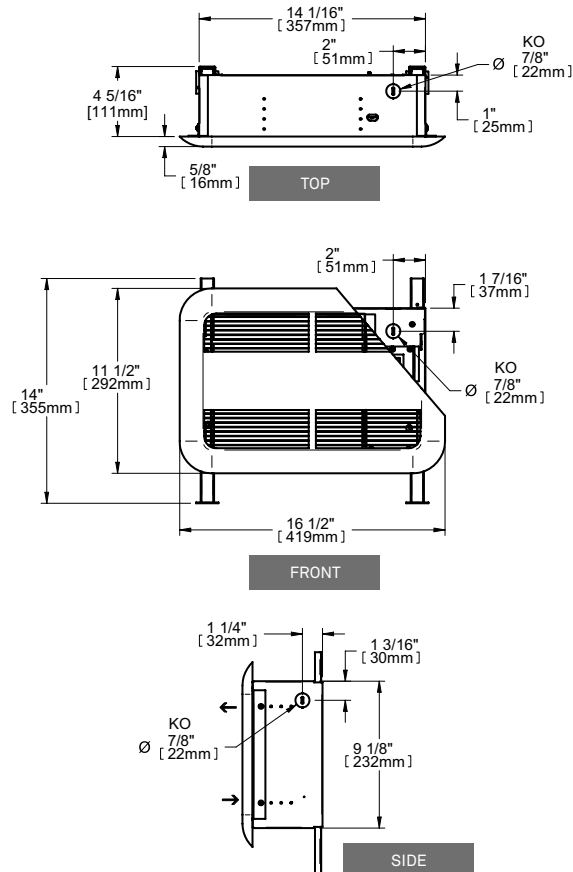
WITHOUT CONTROL		BUILT-IN THERMOSTAT		24 V CONTROL		POWER	VOLTAGE	FLOW	THROW DISTANCE		HEAT RISE		WEIGHT	
CODE	PRICE	CODE	PRICE	CODE	PRICE	WATTS	VOLTS	CFM	M	FT.	°C	°F	KG	LB
SK0501	245.00	---	---	---	---	500	120	60	2.4	8	26	46	5	11
SK0508	245.00	---	---	---	---	500	208	60	2.4	8	26	46	5	11
SK0502	245.00	---	---	---	---	500/375	240/208	60	2.4	8	26	46	5	11
SK0503	299.00	SK0503T	375.00	SK0503C24	375.00	500	347	60	2.4	8	26	46	5	11
SK0751	245.00	---	---	---	---	750	120	60	2.4	8	42	75	5	11
SK0758	245.00	---	---	---	---	750	208	60	2.4	8	42	75	5	11
SK0752	245.00	---	---	---	---	750/560	240/208	60	2.4	8	42	75	5	11
SK0753	299.00	SK0753T	375.00	SK0753C24	375.00	750	347	60	2.4	8	42	75	5	11
SK1001	259.00	---	---	---	---	1000	120	60	2.4	8	54	97	5	11
SK1008	259.00	---	---	---	---	1000	208	60	2.4	8	54	97	5	11
SK1002	259.00	---	---	---	---	1000/750	240/208	60	2.4	8	54	97	5	11
SK1003	313.00	SK1003T	389.00	SK1003C24	389.00	1000	347	60	2.4	8	54	97	5	11
SK1251	273.00	---	---	---	---	1250	120	60	2.4	8	79	143	5	11
SK1258	273.00	---	---	---	---	1250	208	60	2.4	8	79	143	5	11
SK1252	273.00	---	---	---	---	1250/940	240/208	60	2.4	8	79	143	5	11
SK1253	327.00	SK1253T	403.00	SK1253C24	403.00	1250	347	60	2.4	8	79	143	5	11
SK1501	282.00	---	---	---	---	1500	120	60	2.4	8	102	184	5	11
SK1508	282.00	---	---	---	---	1500	208	60	2.4	8	102	184	5	11
SK1502	282.00	---	---	---	---	1500/1125	240/208	60	2.4	8	102	184	5	11
SK1503	336.00	SK1503T	412.00	SK1503C24	412.00	1500	347	60	2.4	8	102	184	5	11
---	---	---	---	---	---	2000	120	90	3.2	10'6"	109	196	5	11
---	---	---	---	---	---	2000	208	90	3.2	10'6"	109	196	5	11
SK2002	320.00	---	---	---	---	2000/1500	240/208	90	3.2	10'6"	109	196	5	11
SK2003	374.00	SK2003T	450.00	SK2003C24	450.00	2000	347	90	3.2	10'6"	109	196	5	11

Add W for white or SW for soft white (consult the optional colours chart or contact your Stelpro representative for all other colours).

Models also available in 277 V.

--- not available

TECHNICAL DRAWINGS



ACCESSORIES

PRODUCT	DESCRIPTION	PRICE
SKT1*	tamper-proof built-in thermostat [120 V-347 V] (grille must be removed to access this type of thermostat)	67.75
SKTBA*	adapter for suspended ceiling (2 ft. x 2 ft.) – recessed or surface mounted with surface adapter (not included)	102.00
SKSA*	surface adapter (SK model)	89.50
FD60MCW70	60 minute wall timer [120 V-277 V]	67.25
SKRE153T*	built-in electronic low voltage relay c/w transformer 24 V [15 A @ 208 V-347 V]	111.00

* Add W for white or SW for soft white.

* Factory installed

