

DBI

ALUMINUM DRAFT BARRIER



DESIGN AND FUNCTIONALITY COMBINED

The DBI electric baseboard heater has clean, unobtrusive lines that are sure to meet the standards of decor aficionados. It can be wall mounted, placed on the floor or installed on a pedestal. Consider the DBI for use in offices, conference rooms, entryways, commercial buildings, schools or hospitals. Enjoy the benefits of heating efficiency without sacrificing aesthetics.

HIGH-QUALITY ALUMINUM

EXTRUDED ALUMINUM GRILLE WITH A THICKNESS EQUIVALENT TO 11 GAUGE

OFFERED IN THREE WATT DENSITIES

COMPACT SIZE

BLANK SECTIONS AVAILABLE FOR A CONTINUOUS LOOK

IDEAL FOR:

office, entryway, commercial space, school, hospital

COLORS

- **standard:** white, soft white
- **luxury finish:** anodized aluminum (see price list)
- **Orora (optional):** refer to www.stelpro.com/en-US/Orora

FINISH

- epoxy-polyester powdercoat or anodized aluminum finish

MANUFACTURING

- 18-gauge steel cabinet
- extruded aluminum front panel with a thickness equivalent to 11 gauge
- front air intake and top air discharge (bottom air intake available on demand [BT])
- thermal protection with automatic reset
- full-length wireway
- pencil-proof openings of less than 1/4 in. prevent foreign objects from entering the unit

ELEMENT

- single tubular, stainless steel sheathed element with boxed aluminum fins for improved heat dissipation; the element is securely fastened at its centre, floating in nylon sleeves at each end, eliminating expansion and contraction noises

CONTROL

- wall thermostat (not included) – the use of an electronic thermostat is strongly recommended
- built-in tamper-proof thermostat accessible without removing front grille, installed in the left junction box only (optional)
- low voltage relay kit installed in the left or right junction box (optional)
- built-in thermostat with button installed in the left junction box only (optional)

INSTALLATION

- surface mounted
- wall or floor mounted with or without pedestal kit (optional)
- wiring compartments at both ends of unit
- blank sections (custom lengths) and accessories are available for a continuous look (optional)

WARRANTY

- three years



Stelpro reserves the right to modify descriptions, manufacturing specifications or prices without prior notice. No returns accepted on optional-color products. For all the latest models and prices, please refer to our website at www.stelpro.com.



FC_DB1_US_270420

TECHNICAL SPECIFICATIONS

STANDARD DENSITY 250 W PER LINEAR FOOT			MEDIUM DENSITY 200 W PER LINEAR FOOT			LOW DENSITY 150 W PER LINEAR FOOT			VOLTAGE	LENGTH	WEIGHT
CODE	WATTS	BTU/H	CODE	WATTS	BTU/H	CODE	WATTS	BTU/H	VOLTS	IN.	LB
DBI6051	500	1706	DBI6041	400	1365	DBI6031	300	1024	120	23 5/8	6.7
DBI6058	500	1706	DBI6048	400	1365	DBI6038	300	1024	208	23 5/8	6.7
DBI6052	500	1706	DBI6042	400	1365	DBI6032	300	1024	240	23 5/8	6.7
DBI6057	500	1706	---	400	1365	---	300	1024	277	23 5/8	6.7
DBI9071	750	2560	DBI9061	600	2048	DBI9041	450	1536	120	35 7/16	10.1
DBI9078	750	2560	DBI9068	600	2048	DBI9048	450	1536	208	35 7/16	10.1
DBI9072	750	2560	DBI9062	600	2048	DBI9042	450	1536	240	35 7/16	10.1
DBI9077	750	2560	DBI9067	600	2048	DBI9047	450	1536	277	35 7/16	10.1
DBI12101	1000	3413	DBI12081	800	2730	DBI12061	600	2048	120	47 1/4	13.4
DBI12108	1000	3413	DBI12088	800	2730	DBI12068	600	2048	208	47 1/4	13.4
DBI12102	1000	3413	DBI12082	800	2730	DBI12062	600	2048	240	47 1/4	13.4
DBI12107	1000	3413	DBI12087	800	2730	DBI12067	600	2048	277	47 1/4	13.4
DBI15121	1250	4266	DBI15101	1000	3413	DBI15071	750	2560	120	59 1/16	16.8
DBI15128	1250	4266	DBI15108	1000	3413	DBI15078	750	2560	208	59 1/16	16.8
DBI15122	1250	4266	DBI15102	1000	3413	DBI15072	750	2560	240	59 1/16	16.8
DBI15127	1250	4266	DBI15107	1000	3413	DBI15077	750	2560	277	59 1/16	16.8
DBI15125	1250	4266	DBI15105	1000	3413	DBI15075	750	2560	480	59 1/16	16.8
DBI18151	1500	5119	DBI18121	1200	4095	DBI18091	900	3071	120	70 7/8	20.1
DBI18158	1500	5119	DBI18128	1200	4095	DBI18098	900	3071	208	70 7/8	20.1
DBI18152	1500	5119	DBI18122	1200	4095	DBI18092	900	3071	240	70 7/8	20.1
DBI18157	1500	5119	DBI18127	1200	4095	DBI18097	900	3071	277	70 7/8	20.1
DBI18155	1500	5119	DBI18125	1200	4095	DBI18095	900	3071	480	70 7/8	20.1
---	1750	5972	DBI21141	1400	4778	DBI21101	1050	3583	120	82 11/16	23.4
DBI21178	1750	5972	DBI21148	1400	4778	DBI21108	1050	3583	208	82 11/16	23.4
DBI21172	1750	5972	DBI21142	1400	4778	DBI21102	1050	3583	240	82 11/16	23.4
DBI21177	1750	5972	DBI21147	1400	4778	DBI21107	1050	3583	277	82 11/16	23.4
DBI21175	1750	5972	DBI21145	1400	4778	DBI21105	1050	3583	480	82 11/16	23.4
---	2000	6825	---	1600	5460	DBI24121	1200	4095	120	94 1/2	26.8
DBI24208	2000	6825	DBI24168	1600	5460	DBI24128	1200	4095	208	94 1/2	26.8
DBI24202	2000	6825	DBI24162	1600	5460	DBI24122	1200	4095	240	94 1/2	26.8
DBI24207	2000	6825	DBI24167	1600	5460	DBI24127	1200	4095	277	94 1/2	26.8
DBI24205	2000	6825	DBI24165	1600	5460	DBI24125	1200	4095	480	94 1/2	26.8
DBI27228	2250	7679	DBI27188	1800	6143	DBI27138	1350	4607	208	106 5/16	30.1
DBI27222	2250	7679	DBI27182	1800	6143	DBI27132	1350	4607	240	106 5/16	30.1
DBI27227	2250	7679	DBI27187	1800	6143	DBI27137	1350	4607	277	106 5/16	30.1
DBI27225	2250	7679	DBI27185	1800	6143	DBI27135	1350	4607	480	106 5/16	30.1
DBI27258	2500	8532	DBI27208	2000	6825	DBI27158	1500	5119	208	106 5/16	30.1
DBI27252	2500	8532	DBI27202	2000	6825	DBI27152	1500	5119	240	106 5/16	30.1
DBI27257	2500	8532	DBI27207	2000	6825	DBI27157	1500	5119	277	106 5/16	30.1
DBI27255	2500	8532	DBI27205	2000	6825	DBI27155	1500	5119	480	106 5/16	30.1

Add W for white, SW for soft white or CA for anodized aluminum (finish) (consult the optional colors chart or contact your Stelpro representative for all other colors).
 --- not available



ACCESSORIES

PRODUCT	DESCRIPTION
DBIT12*	built-in tamper-proof single pole thermostat
DBIT22*	built-in tamper-proof double pole thermostat
DBIT12-BOUTON*	built-in single pole thermostat with knob
DBIRE153*	built-in electronic low voltage relay [15 A @ 120 V-347 V]
DBIRE156*	built-in electronic low voltage relay [6 A @ 600 V]
DBIRE153T*	built-in electronic low voltage relay c/w transformer 24 V [15 A @ 208 V-347 V]
DBIRM240T*	built-in mechanical low voltage relay c/w transformer 24 V [5000 W @ 208 V/6000 W @ 240 V]
DBIRM347T*	built-in mechanical low voltage relay c/w transformer 24 V [6000 W @ 347 V]
DBIRM347C*	built-in electromechanical relay w/o transformer 24 V [6000 W @ 120 V-347 V]
DBIDIS250*	disconnect switch [120 V-250 V] [17 A @ 120 V-12 A @ 250 V]
DBIDIS600*	disconnect switch [277 V-600 V]
PK1*	pedestal kit (kit of two)
PK1CAP	anodized aluminum (paint) pedestal kit (kit of two)
DBIJS*	joiner strip (2 in.)
DBIJSBAP	anodized aluminum (paint) joiner strip (2 in.)
DBIIC90*	inside corner (back measures 5 7/8 in. long on each side)
DBIIC90CA	anodized aluminum (finish) inside corner (back measures 5 7/8" long on each side)
DBIOC90*	outside corner (back measures 5 7/8 in. long on each side)
DBIOC90CA	anodized aluminum (finish) outside corner (back measures 5 7/8" long on each side)
DBICB**	clean back (fully finished, no mounting holes or knockouts)
DBICBCAP*	anodized aluminum (paint) clean back (fully finished, no mounting holes or knockouts)
DBIBT*	bottom air intake/top air discharge

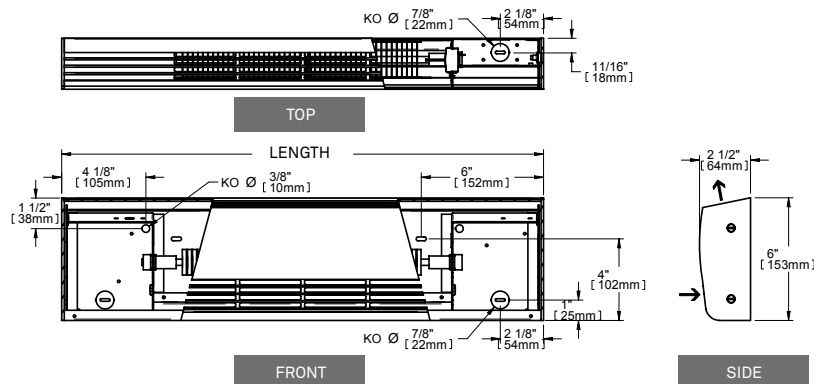
Electronic relays can receive a PWM (pulsed width modulation) or digital (on/off) signal.

* Add W for white or SW for soft white

* Factory installed

* Factory installation is strongly recommended

TECHNICAL DRAWINGS





Stelpro reserves the right to modify descriptions, manufacturing specifications or prices without prior notice. No returns accepted on optional-color products. For all the latest models and prices, please refer to our website at www.stelpro.com.