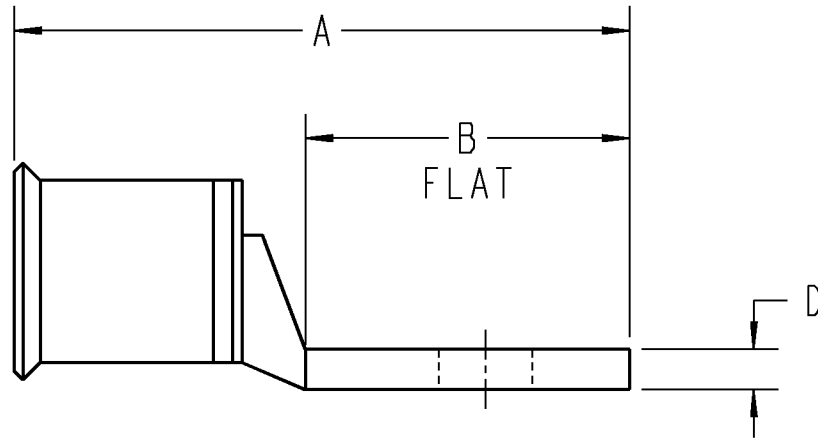




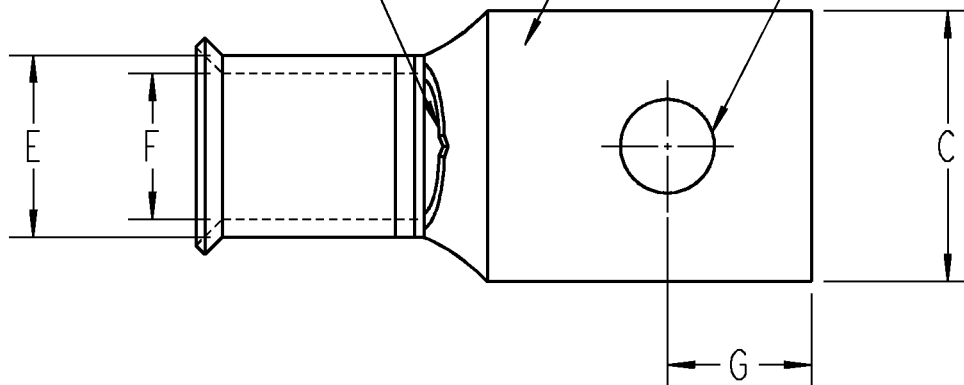
**Color-Keyed**



TONGUE MARKING:  
UL, CSA, T&B LOGO  
AND CABLE SIZE

CABLE INSPECTION HOLE

BOLT SIZE H



NOTES:

1. MATERIAL: HIGH CONDUCTIVITY WROUGHT COPPER
2. PLATING: ELECTRO TIN PLATE
3. TEMPERATURE RATING: 90°C

GENERAL NOTES

1. ALL DIMENSIONS ARE FOR REFERENCE ONLY.
2. DIMENSIONS IN BRACKETS [ ] ARE IN METRIC UNITS.

REVISIONS

- |   |  |
|---|--|
| - | SEE ERN ( **** ) FOR APPROVAL SIGNATURES & RELEASE DATE.<br>PROJECT NO: **** |
|---|--|

**Thomas & Betts**  
www.tnb.com

DESCRIPTION:

**BELL SHAPED COPPER LUGS  
WITH ONE BOLT HOLE**

ORIGINAL PROJECT NO / ( ERN NO )

CM402358 / ERN 2014366

SHEET NO:

1/4

REV. NO:

—

DRAWING NO:

WSD-001110

T&B CAT. NO.	WIRE SIZE							
	CODE (AWG)	NAVY	FLEX (24 AWG)	CLASS G	CLASS H	CLASS I (24 AWG)	CLASS K (30 AWG)	CLASS M (34 AWG)
541048BS	8	23	8(37/24)	8(49 STR)	8(133 STR)	—	8(168 STR)	—
541308BS	6	23	8(37/24)	8(49 STR)	8(133 STR)	—	8(168 STR)	—
541056BS	6	30	6(61/24)	5(49 STR)	5(133 STR)	5(84 STR)	5(336 STR)	—
541065BS	4-3	40-50	5(91/24)	5(49 STR)	5(133 STR)	5(84 STR)	5(336 STR)	—
541394BS	4-3	40-50	5(91/24)	4(49 STR)	4(133 STR)	4(105 STR)	4(420 STR)	4(1064 STR)
541423BS	2	60	3(125/24)	3(49 STR)	3(133 STR)	3(133 STR)	3(532 STR)	3(1323 STR)
541472BS	1	75	2(150,175/24)	2(49 STR)	2(133 STR)	2(161 STR)	2(665 STR)	2(1666 STR)
541531BS	1/0	100	1(225/24)	1(133 STR)	1(133 STR)	1(210 STR)	1(836 STR)	1(2107 STR)
5411010BS	2/0	125	1/0(275/24)	1/0(133 STR)	1/0(259 STR)	1/0(266 STR)	1/0(1064 STR)	1/0(2646 STR)
5416520BS	3/0	150	2/0(325/24)	2/0(133 STR)	2/0(259 STR)	2/0(342 STR)	2/0(1323 STR)	2/0(3325 STR)
5417030BS	4/0	200	3/0(450/24)	3/0(133 STR)	3/0(427 STR)	3/0(418 STR)	3/0(1666 STR)	3/0(4256 STR)
5816540BS	250	—	4/0(550/24)	4/0(133 STR)	4/0(259 STR)	4/0(532 STR)	4/0(2107 STR)	4/0(5320 STR)
5816540BS06	250	—	4/0(550/24)	4/0(133 STR)	4/0(259 STR)	4/0(532 STR)	4/0(2107 STR)	4/0(5320 STR)
54114262BS	300	300	262MCM(650/24)	250MCM(259 STR)	250(427 STR)	250(637 STR)	250(2499 STR)	—
54185313BS	400	400	313MCM(775/24)	300MCM(259 STR)	300(427 STR)	300(735 STR)	300(2989 STR)	—
54185313BS06	400	400	313MCM(775/24)	300MCM(259 STR)	300(427 STR)	300(735 STR)	300(2989 STR)	—
54185313BS08	400	400	313MCM(775/24)	300MCM(259 STR)	300(427 STR)	300(735 STR)	300(2989 STR)	—
58177350BS	500	—	373MCM(925/24)	400MCM(259 STR)	400(427 STR)	400(980 STR)	350(3548 STR)	—
58180444BS	—	—	444MCM(1100/24)	—	—	450(1127 STR)	450(4522 STR)	—
58180444BS06	—	—	444MCM(1100/24)	—	—	450(1127 STR)	450(4522 STR)	—
58180444BS08	—	—	444MCM(1100/24)	—	—	450(1127 STR)	450(4522 STR)	—
54122535BS	700	—	535MCM(1325/24)	500MCM(259 STR)	500(427 STR)	500(1225 STR)	500(5054 STR)	—
54122535BS06	700	—	535MCM(1325/24)	500MCM(259 STR)	500(427 STR)	500(1225 STR)	500(5054 STR)	—
54122535BS08	700	—	535MCM(1325/24)	500MCM(259 STR)	500(427 STR)	500(1225 STR)	500(5054 STR)	—
54123600BS	750	—	—	600MCM(259 STR)	—	—	—	—
54124800BS	800	800	—	—	—	—	—	—
54126777BS	900	—	777MCM(1925/24)	—	—	—	—	—
58165BS	250	—	4/0(550/24)	4/0(133 STR)	4/0(259 STR)	4/0(532 STR)	4/0(2107 STR)	4/0(5320 STR)
54111BS	3/0	150	2/0(325/24)	2/0(133 STR)	2/0(259 STR)	2/0(342 STR)	2/0(1323 STR)	2/0(3325 STR)
54160BS	2/0	125	1/0(275/24)	1/0(133 STR)	1/0(259 STR)	1/0(266 STR)	1/0(1064 STR)	1/0(2646 STR)
54155BS	1/0	100	1(225/24)	1(133 STR)	1(259 STR)	1(210 STR)	1(836 STR)	1(2107 STR)
54170BS	4/0	200	3/0(450/24)	3/0(133 STR)	3/0(427 STR)	3/0(418 STR)	3/0(1666 STR)	3/0(4256 STR)
54163BS	3/0	150	2/0(325/24)	2/0(133 STR)	2/0(259 STR)	2/0(342 STR)	2/0(1323 STR)	2/0(3325 STR)
54109BS	1/0	100	1(225/24)	1(133 STR)	1(133 STR)	1(210 STR)	1(836 STR)	1(2107 STR)

**Thomas & Betts**  
www.tnb.com

DESCRIPTION: **BELL SHAPED COPPER LUGS  
WITH ONE BOLT HOLE**

CM402358 / ERN 204366

SHEET NO:  
2 OF 4

REV. NO:  
—

DRAWING NO:  
**WSD-001110**

T&B CAT. NO.	BOLT SIZE H	A	B	C	D	E	F	G
541048BS	#10	1.14	.52	.39	.08	.27	.18	.22
541308BS	1/4	1.18	.61	.45	.06	.27	.18	.25
541056BS	1/4	1.21	.55	.44	.08	.31	.22	.23
541065BS	1/4	1.36	.62	.55	.08	.37	.28	.25
541394BS	5/16	1.40	.67	.61	.07	.37	.28	.31
541423BS	5/16	1.73	.88	.59	.11	.41	.30	.38
541472BS	5/16	1.73	.88	.68	.11	.47	.36	.38
541531BS	5/16	1.83	.88	.75	.13	.52	.40	.38
5411010BS	3/8	1.93	.93	.83	.13	.57	.45	.38
5416520BS	1/2	2.35	1.25	.92	.13	.63	.51	.50
5417030BS	1/2	2.50	1.25	1.03	.14	.70	.56	.50
5816540BS	1/2	2.76	1.25	1.25	.15	.85	.70	.50
5816540BS06	3/8	2.76	1.25	1.25	.15	.85	.70	.38
54114262BS	1/2	2.70	1.25	1.25	.15	.85	.70	.50
54185313BS	5/8	3.53	1.58	1.41	.17	.96	.79	.63
54185313BS06	3/8	3.53	1.58	1.41	.17	.96	.79	.38
54185313BS08	1/2	3.53	1.58	1.41	.17	.96	.79	.50
58177350BS	1/2	3.25	1.25	1.61	.22	1.10	.88	.50
58180444BS	5/8	3.78	1.58	1.75	.24	1.20	.96	.63
58180444BS06	3/8	3.78	1.58	1.75	.24	1.20	.96	.38
58180444BS08	1/2	3.78	1.58	1.75	.24	1.20	.96	.50
54122535BS	5/8	3.68	1.58	1.84	.23	1.26	1.03	.63
54122535BS06	3/8	3.68	1.58	1.84	.23	1.26	1.03	.38
54122535BS08	1/2	3.68	1.58	1.84	.23	1.26	1.03	.50
54123600BS	5/8	3.80	1.58	1.94	.27	1.33	1.06	.63
54124800BS	5/8	3.98	1.58	2.01	.27	1.38	1.11	.63
54126777BS	5/8	4.08	1.58	2.17	.31	1.50	1.19	.63
58165BS	1/2	2.50	1.06	1.25	.15	.85	.70	.50
54111BS	3/8	2.16	1.06	.94	.13	.63	.51	.50
54160BS	1/2	2.06	1.06	.83	.13	.57	.45	.50
54155BS	1/2	2.0	1.06	.75	.13	.52	.40	.50
54170BS	1/2	2.31	1.06	1.03	.13	.70	.56	.50
54163BS	5/16	2.16	.78	.94	.13	.63	.51	.50
54109BS	3/8	1.75	.82	.75	.13	.52	.40	.50

**Thomas & Betts**  
www.tnb.com

DESCRIPTION: **BELL SHAPED COPPER LUGS  
WITH ONE BOLT HOLE**

CM402358 / ERN 2014366

SHEET NO:

3 OF 4

REV. NO:

—

DRAWING NO:

**WSD-001110**

T&B CAT. NO.	DIE COLOR	DIE CODE	INSTALLATION TOOLING							TBM8-750M-1 TBM8-750	STRIP LENGTH
			TBM21E TBM25S TBM20S	TBMS	TBM6&TBM60RS		13642	TBM12	13100A TBM14M & TBM15PF		
					UPPER	LOWER					
541048BS	RED	21	ROTATING DIE	13454	13475	13477	11732	TBM12D-1	15520	ONE CRIMP REQUIRED	7/16"
541308BS	RED	21		13454	13475	13477	11732	TBM12D-1	15520		7/16"
541056BS	BLUE	24		13454	13475	13477	11733	TBM12D-1	15522		7/16"
541065BS	GREY	29		13454	13472	13476	11734	TBM12D-2	15527		5/8"
541394BS	GREY	29		13454	13472	13476	11734	TBM12D-2	15527		5/8"
541423BS	BROWN	33		13454	13474	13477	11735	TBM12D-2	15528		5/8"
541472BS	GREEN	37	—	13455	13474	13477	11736	TBM12D-3	15513		3/4"
541531BS	PINK	42	—	13455	13475	13477	11737	TBM12D-3	15508		3/4"
5411010BS	BLACK	45	—	13455	13474	13477	11738	TBM12D-4	15526		3/4"
5416520BS	ORANGE	50	—	13455	13474	13477	11739	TBM12D-4	15530		1"
5417030BS	PURPLE	54	—	13456	13475	13477	11740	TBM12D-5	15511		1"
5816540BS	YELLOW	62	—	13456	13473	13476	11771	TBM12D-5	15510		1-1/8"
5816540BS06	YELLOW	62	—	13456	13473	13476	11771	TBM12D-5	15510		1-1/8"
54114262BS	WHITE	66	—	—	13473	13476	11742	TBM12D-5	15534		1-1/8"
54185313BS	BLUE	76	—	—	13472	13476	11744	TBM12D-4	15512		1-5/16"
54185313BS06	BLUE	76	—	—	13472	13476	11744	TBM12D-4	15512		1-5/16"
54185313BS08	BLUE	76	—	—	13472	13476	11744	TBM12D-4	15512		1-5/16"
58177350BS	—	80	—	—	—	—	11745	—	15517		1-3/8"
58180444BS	GREEN	94	—	—	—	—	11747	TBM12D-3	15536/15611		1-1/2"
58180444BS06	GREEN	94	—	—	—	—	11747	TBM12D-3	15536/15611		1-1/2"
58180444BS08	GREEN	94	—	—	—	—	11747	TBM12D-3	15536/15611	1-1/2"	
54122535BS	PINK	99	—	—	—	—	11748	TBM12D-2	15505	1-1/2"	
54122535BS06	PINK	99	—	—	—	—	11748	TBM12D-2	15505	1-1/2"	
54122535BS08	PINK	99	—	—	—	—	11748	TBM12D-2	15505	1-1/2"	
54123600BS	BLACK	106	—	—	—	—	11749	TBM12D-2	15515	1-5/8"	
54124800BS	ORANGE	107	—	—	—	—	—	—	15608	1-3/4"	
54126777BS	YELLOW	115	—	—	—	—	—	—	15504	1-5/8"	
58165BS	YELLOW	62	—	13454	13473	13454	11771	TBM12D5	15510	1 CRIMP	1-1/8"
54111BS	ORANGE	50	—	13455	13474	13477	11735	TBM12D4	15530	1 CRIMP	1"
54160BS	BLACK	45	—	13455	13474	13477	11734	TBM12D4	15524	1 CRIMP	3/4"
54155BS	PINK	42	—	13455	13475	13477	11737	TBM12D3	15508	1 CRIMP	3/4"
54170BS	PURPLE	54	—	13456	13473	13476	11771	TBM12D5	15510	1 CRIMP	1"
54163BS	ORANGE	50	—	13455	13474	13477	11735	TBM12D4	15530	1 CRIMP	1"
54109BS	PINK	42	—	13455	13475	13477	11737	TBM12D3	15508	1 CRIMP	3/4"

**Thomas & Betts**  
www.tnb.com

DESCRIPTION: **BELL SHAPED COPPER LUGS  
WITH ONE BOLT HOLE**

CM402358 / ERN 2014366

SHEET NO:

4/4

REV. NO:

—

DRAWING NO:

**WSD-001110**