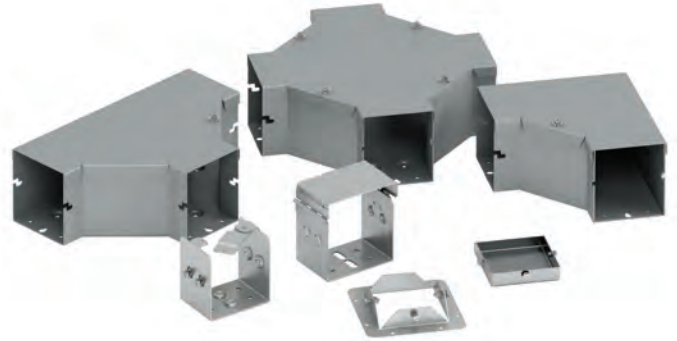


Lay-In Wireway Type 3R EnviroShield™ System Data Sheet



Install inside connector in wireway ends and tighten



Install and secure hinged covers



Install outside connector around wireway splice location



Latch shut (padlock can be installed if desired)

Application

- Houses runs of power, control and communication cable
- Used for cable and wire junction, distribution and termination

Standards

- UL 870 listed, Type 3R
- CSA C22.2 No. 26 certified, Type 3R
- Conforms to NEMA standard for Type 3R

Material & Finish

- Galvanealed steel with ANSI 61 gray acrylic electrocoat finish and zinc plated hardware
- Aluminum with stainless steel hardware

Accessories

- Sealing devices
- Touch-up paint
- See Accessories section

Protected by U.S. Patents 7,525,044 & 7,762,042

Construction

- Wireway body and cover are fabricated from code gauge steel, or brushed aluminum (see page 22)
- Wireway body has embossed mounting holes on the back
- Cover is secured to the body with gasketed retaining screw
- Variety of fittings allow runs which can change directions, size, junction and terminate, as well as, expansion and contraction
- Wireway connectors (sold separately) have a gate feature which can swing completely open allowing for lay-in of wire and cable
- Wireway connectors have a locking feature for optional pad-locking
- Removable hinge cover construction
- Z-slots for quick-connect connection method
- Wireways 120" (3048mm) in length have two overlapping covers

Discount Schedule: A2

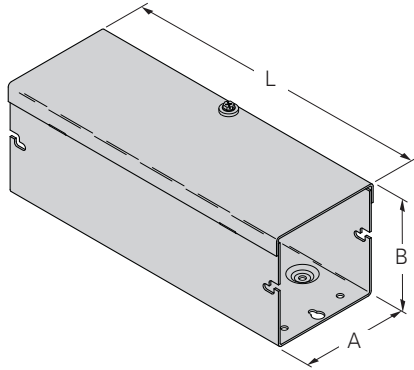
Subclass: RHS

Notes: We can provide special sizes, finishes and other modifications. Consult the factory for your special requirements.

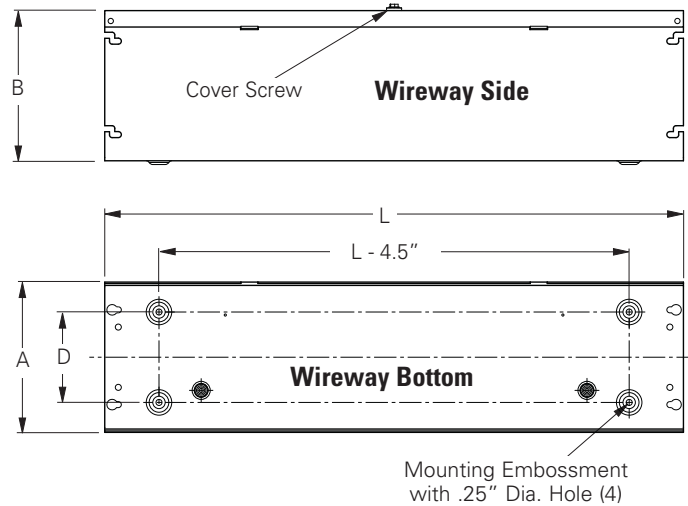
Lay-In Wireway Type 3R EnviroShield™ System Illustration Sheet and Catalog Number

Wireway Section

Lengths from 12.00" to 120.00".
Wireway exceeding 72.00" has two covers.



Subclass: RHS



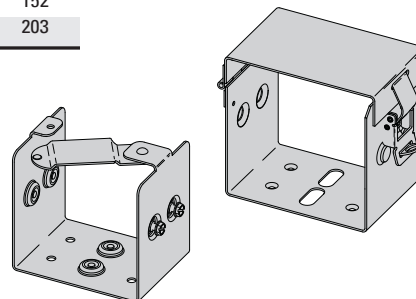
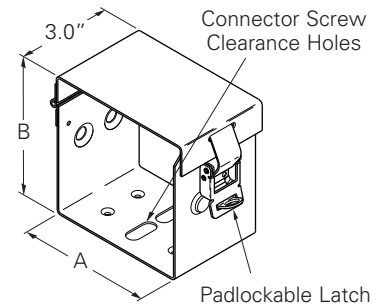
Wireway Catalog Number		Wireway Size		Mounting Hole Spacing		Material Thickness			
Steel	Aluminum	Height x Depth x Length		D		Steel		Aluminum	
		in.	mm	in.	mm	Gauge	mm	In.	mm
4412-3RHS NK	4412-3RAHS NK	4.00 x 4.00 x 12.00	101 x 101 x 305	2.25	57.1	16	1.52	0.080	2.03
4460-3RHS NK	4460-3RAHS NK	4.00 x 4.00 x 60.00	101 x 101 x 1524	2.25	57.1	16	1.52	0.080	2.03
44120-3RHS NK	44120-3RAHS NK	4.00 x 4.00 x 120.00	101 x 101 x 3048	2.25	57.1	16	1.52	0.080	2.03
6612-3RHS NK	6612-3RAHS NK	6.00 x 6.00 x 12.00	152 x 152 x 305	3.75	95.2	16	1.52	0.080	2.03
6660-3RHS NK	6660-3RAHS NK	6.00 x 6.00 x 60.00	152 x 152 x 1524	3.75	95.2	16	1.52	0.080	2.03
66120-3RHS NK	66120-3RAHS NK	6.00 x 6.00 x 120.00	152 x 152 x 3048	3.75	95.2	16	1.52	0.080	2.03
8812-3RHS NK	8812-3RAHS NK	8.00 x 8.00 x 12.00	203 x 203 x 305	5.75	146.0	16	1.52	0.080	2.03
8860-3RHS NK	8860-3RAHS NK	8.00 x 8.00 x 60.00	203 x 203 x 1524	5.75	146.0	16	1.52	0.080	2.03
88120-3RHS NK	88120-3RAHS NK	8.00 x 8.00 x 120.00	203 x 203 x 3048	5.75	146.0	16	1.52	0.080	2.03

NK = No Knockouts

Wireway Connectors

Swing gate allows for lay-in installation of wire and cable.
Wrap-around connector provides Type 3R rating and padlocking provision.

Connector Catalog Number		A		B	
Steel	Aluminum	in.	mm	in.	mm
44-3RHSC	44-3RAHSC	4.00	101	4.00	101
66-3RHSC	66-3RAHSC	6.00	152	6.00	152
88-3RHSC	88-3RAHSC	8.00	203	8.00	203



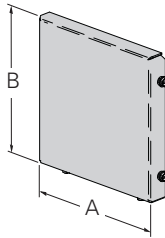
Notes: Dimensions are in inches. Millimeters shown are for reference only. Data subject to change without notice.

Lay-In Wireway Type 3R EnviroShield™ System Illustration Sheet and Catalog Number

Subclass: RHS

Wireway End

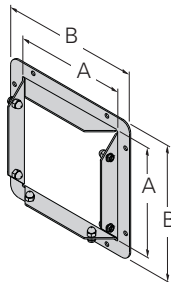
Used to terminate wireway or fitting.



Wireway End Catalog Number		A		B	
Steel	Aluminum	in.	mm	in.	mm
44-3RHSE NK	44-3RAHSE NK	4.00	101	4.00	101
66-3RHSE NK	66-3RAHSE NK	6.00	152	6.00	152
88-3RHSE NK	88-3RAHSE NK	8.00	203	8.00	203

Wireway End Flange

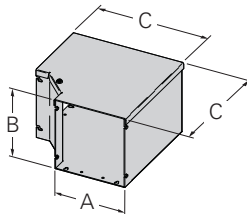
Allows for a secure connection of wireway or fitting to an adjoining enclosure or wall.



Wireway End Flange Catalog Number		A		B	
Steel	Aluminum	in.	mm	in.	mm
44-3RHSE NK	44-3RAHSE NK	4.00	101	4.00	101
66-3RHSE NK	66-3RAHSE NK	6.00	152	6.00	152
88-3RHSE NK	88-3RAHSE NK	8.00	203	8.00	203

Wireway 90° Elbow

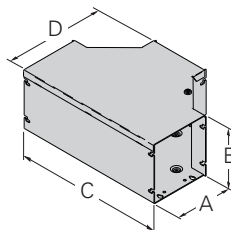
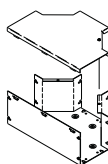
Side opening hinge cover design for applications where 90° turn is necessary.



Wireway 90° Elbow Catalog Number		A		B		C	
Steel	Aluminum	in.	mm	in.	mm	in.	mm
44-3RHSL SIDE	44-3RAHSL SIDE	4.00	101	4.00	101	8.84	224
66-3RHSL SIDE	66-3RAHSL SIDE	6.00	152	6.00	152	10.84	275
88-3RHSL SIDE	88-3RAHSL SIDE	8.00	203	8.00	203	12.84	326

Wireway Tee

Side opening hinge cover design for applications where a tee junction is necessary.



Wireway Tee Catalog Number		A		B		C		D	
Steel	Aluminum	in.	mm	in.	mm	in.	mm	in.	mm
44-3RHST	44-3RAHST	4.00	101	4.00	101	13.84	351	9.04	229
66-3RHST	66-3RAHST	6.00	152	6.00	152	15.84	402	11.04	280
88-3RHST	88-3RAHST	8.00	203	8.00	203	17.84	453	13.04	331

Notes: Dimensions are in inches. Millimeters shown are for reference only. Data subject to change without notice.

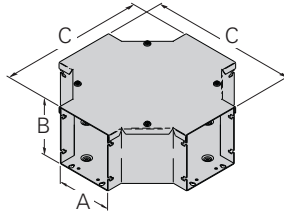
Cable & Wire Management

Lay-In Wireway Type 3R EnviroShield™ System Illustration Sheet and Catalog Number

Subclass: RHS

Wireway Cross

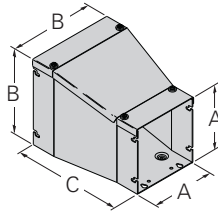
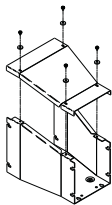
Side opening cover design for applications where a cross junction is necessary.



Wireway Cross Catalog Number		A		B		C	
Steel	Aluminum	in.	mm	in.	mm	in.	mm
44-3RSCX	44-3RASCX	4.00	101	4.00	101	13.84	351
66-3RSCX	66-3RASCX	6.00	152	6.00	152	15.84	402
88-3RSCX	88-3RASCX	8.00	203	8.00	203	17.84	453

Wireway Reducer

Screw opening cover design for applications where a change in wireway cross-section (height x width) is necessary.



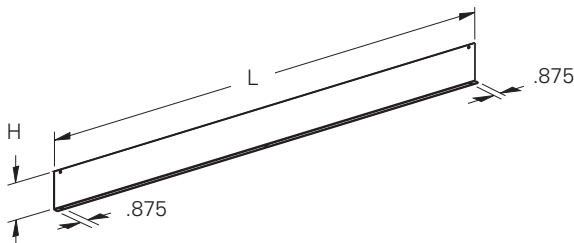
Wireway Reducer Catalog Number		A		B		C	
Steel	Aluminum	in.	mm	in.	mm	in.	mm
4466-3RSCR	4466-3RASCRCR	4.00	101	6.00	152	10.00	254
4488-3RSCR	4488-3RASCRCR	4.00	101	8.00	203	10.00	254
6688-3RSCR	6688-3RASCRCR	6.00	152	8.00	203	10.00	254

Bolt-On Barrier

For installations that require separated wiring compartments. An ideal solution for separating power from communication cables.

* Not UL or CSA listed fitting

Wireway Catalog Number		Wireway Size Height x Depth		Length L		Height H	
Steel	Aluminum	in.	mm	in.	mm	in.	mm
44-12BK*	44-3RBKA*	4.00 x 4.00	101 x 101	60.00	1524	3.00	76.2
66-12BK*	66-3RBKA*	6.00 x 6.00	152 x 152	60.00	1524	4.50	114.3
88-12BK*	88-3RBKA*	8.00 x 8.00	203 x 203	60.00	1524	6.00	152.4



Notes: Dimensions are in inches. Millimeters shown are for reference only. Data subject to change without notice.