

# Condulet EAB conduit outlet boxes with covers

Cl. I, Div. 1 & 2, Groups A, B, C, D  
 Cl. II, Div. 1, Groups E, F, G  
 Cl. II, Div. 2, Groups F, G  
 Cl. III  
 NEMA 3, 4, 7ABCD, 9EFG

Explosionproof  
 Dust-ignitionproof  
 Raintight  
 Wet Locations

3F

## Applications:

EAB conduit outlet boxes are installed in conduit systems within hazardous areas to:

- Provide protection against exterior explosion where acetylene, hydrogen and other hazardous gases are present
- Protect conductors in threaded rigid conduit
- Act as pull and splice boxes
- Interconnect lengths of conduit
- Change conduit direction
- Provide access to conductors for maintenance and future system changes

## Features:

EAB conduit outlet boxes have:

- Five different hub configurations
- Taper threaded hubs to provide ground continuity
- Smooth integral hub bushing to protect conductor insulation when pulling
- Threaded cover openings
- Surface covers furnished with boxes
- Neoprene o-ring gasket and green ground screw are both standard
- Four standard mounting pads, except for EABY
- Cover threads are 16 pitch
- Internal green ground screw #10

## Certifications and compliances:

### NEC/CEC:

- Class I, Divisions 1 & 2, Groups A, B, C, D
- Class II, Division 1, Groups E, F, G
- Class II, Division 2, Groups F, G
- Class III

### UL standard:

- UL1203

### CSA standard:

- C22.2 No. 30

## Standard materials:

- Bodies – Feraloy iron alloy
- Covers – copper-free aluminum

## Standard finishes:

- Feraloy – electrogalvanized and aluminum acrylic paint
- Aluminum – natural

## Size ranges:

- Hub – 1/2" to 1"
- Cover opening – 3" diameter

## Options:

### Description

### Suffix

- Bodies – copper-free aluminum ..... **SA**
- Covers – Feraloy iron alloy..... **WOD**  
*Electrogalvanized and aluminum acrylic paint finish*
- Corro-free epoxy powder coat..... **S752**

## Ordering information:

### EABC



Hub size	Cat. #
1/2"	EABC16 <sup>Ⓐ</sup>
3/4"	EABC26 <sup>Ⓐ</sup>
1"	EABC36 <sup>Ⓐ</sup>

### EABT



Hub size	Cat. #
1/2"	EABT16 <sup>Ⓐ</sup>
3/4"	EABT26 <sup>Ⓐ</sup>
1"	EABT36 <sup>Ⓐ</sup>

### EABL



Hub size	Cat. #
1/2"	EABL16 <sup>Ⓐ</sup>
3/4"	EABL26 <sup>Ⓐ</sup>
1"	EABL36 <sup>Ⓐ</sup>

### EABX



Hub size	Cat. #
1/2"	EABX16 <sup>Ⓐ</sup>
3/4"	EABX26 <sup>Ⓐ</sup>
1"	EABX36 <sup>Ⓐ</sup>

### EABY



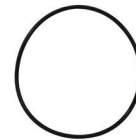
Hub size	Cat. #
1/2"	EABY16
3/4"	EABY26

## Replacement cover



Size	Cat. #
3"	EAB06

## Replacement o-ring gasket



Description	Cat. #
Replacement o-ring	GASK1151

## Fixture cover Union hub type



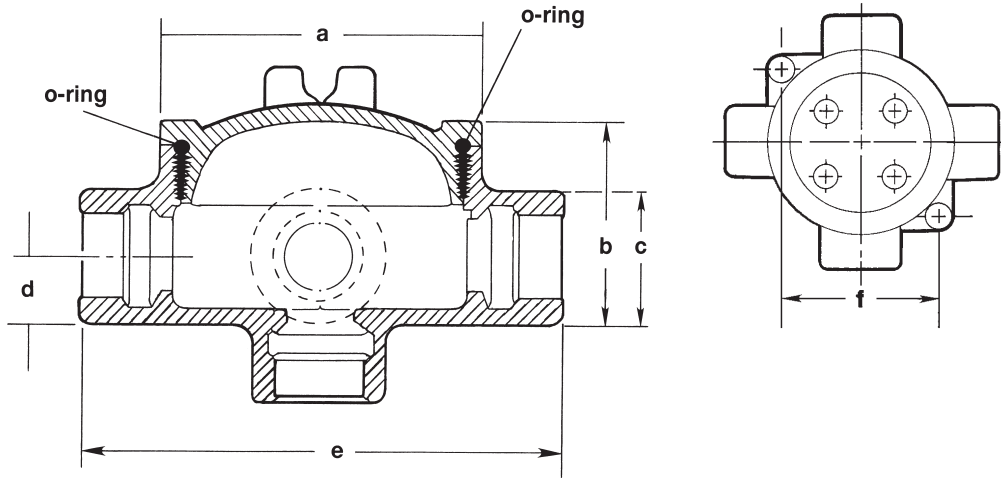
Cover opening dia.	Fixt. stem size	Cat. #
3"	3/4"	EAB0687 <sup>Ⓑ</sup>

<sup>Ⓐ</sup> Available in copper-free aluminum. To order, add suffix 'SA' to end of catalog number.

<sup>Ⓑ</sup> EAB0687 is listed for Groups C and D only.

# Condulet EAB conduit outlet boxes

## Dimensions (in inches):



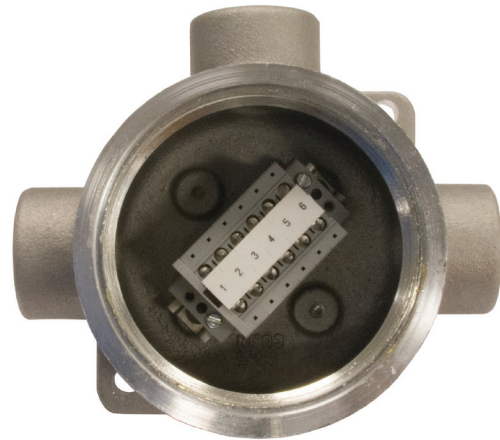
Cat. #	a	b	c	d	e	f
16	3 <sup>3</sup> / <sub>4</sub>	2 <sup>17</sup> / <sub>32</sub>	1 <sup>1</sup> / <sub>2</sub>	3 <sup>3</sup> / <sub>4</sub>	5 <sup>5</sup> / <sub>16</sub>	3 <sup>3</sup> / <sub>32</sub>
26	3 <sup>3</sup> / <sub>4</sub>	2 <sup>25</sup> / <sub>32</sub>	1 <sup>3</sup> / <sub>4</sub>	7 <sup>1</sup> / <sub>8</sub>	5 <sup>9</sup> / <sub>16</sub>	3 <sup>3</sup> / <sub>32</sub>
36	3 <sup>3</sup> / <sub>4</sub>	2 <sup>25</sup> / <sub>32</sub>	1 <sup>3</sup> / <sub>4</sub>	7 <sup>1</sup> / <sub>8</sub>	5 <sup>9</sup> / <sub>16</sub>	3 <sup>3</sup> / <sub>32</sub>

## Ordering information – factory installed terminal block ordering guide:

### DIN rail mounted terminal blocks

**Electrical specifications:**  
30A, 150V, AWG 26-10

Cat. #	Description
DIN12	DIN rail mounted, 2 terminal blocks EAB (shapes C, X, T, L) Form 6 cover diameter opening
DIN13	DIN rail mounted, 3 terminal blocks EAB (shapes C, X, T, L) Form 6 cover diameter opening
DIN14	DIN rail mounted, 4 terminal blocks EAB (shapes C, X, T, L) Form 6 cover diameter opening



### Direct mounted terminal blocks

**Electrical specifications:**  
30A, 300V, AWG 26-10

Cat. #	Description
TB14	Direct mounted terminal block, 4 terminal blocks EAB (shapes C, X, T, L) Form 6 cover diameter opening
TB16	Direct mounted terminal block, 6 terminal blocks EAB (shapes C, X, T, L) Form 6 cover diameter opening

