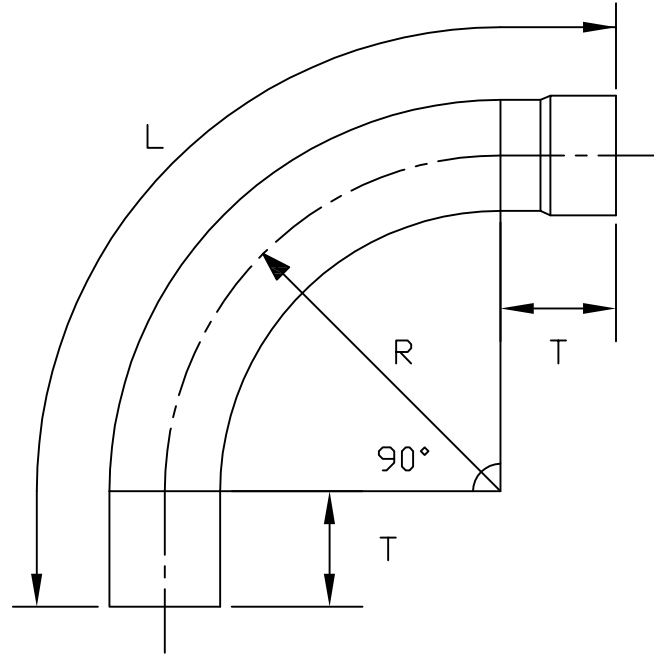


RIGID PVC CONDUIT
CONDUIT RIGIDE EN PVC

90° SCH40 BEND BE / 90° SCH40 COUDE MXH

ISSUE DATE: 2009 03 24
DATE D'EMISSION:

SUPERSEDES: 2007 02 07
REPLACE:



CODE	Size Grosueur	L Ref.	R Ref.	T Ref.
# 078594	50mm (2")	705mm (27.75")	267mm (10.50")	140mm (5.50")
# 068426 * 069087	65mm (2.5")	585mm (23.0")	254mm (10.0")	76mm (3.0")
# 078595	75mm (3")	895mm (32.25")	330mm (13.0")	191mm (7.50")
# 068427 * 069088	75mm (3")	751mm (29.56")	381mm (15.0")	76mm (3.0")
# 068429	100mm (4")	810mm (31.90")	406mm (16.0")	86mm (3.375")
# 068050	100mm (4")	1270mm (50.0")	610mm (24.0")	86mm (3.375")
# 068431	150mm (6")	1387mm (54.60")	762mm (30.0")	95mm (3.75")
# 068076	150mm (6")	2032mm (80.0")	914mm (36.0")	298mm (11.75")

#- UL APPROVED / APPROUVES

*- CSA CERTIFIED / CERTIFIE

L-LENGTH OF PIPE BEFORE BENDING / LONGUEUR DU TUYAU AVANT D'ETRE COURBE