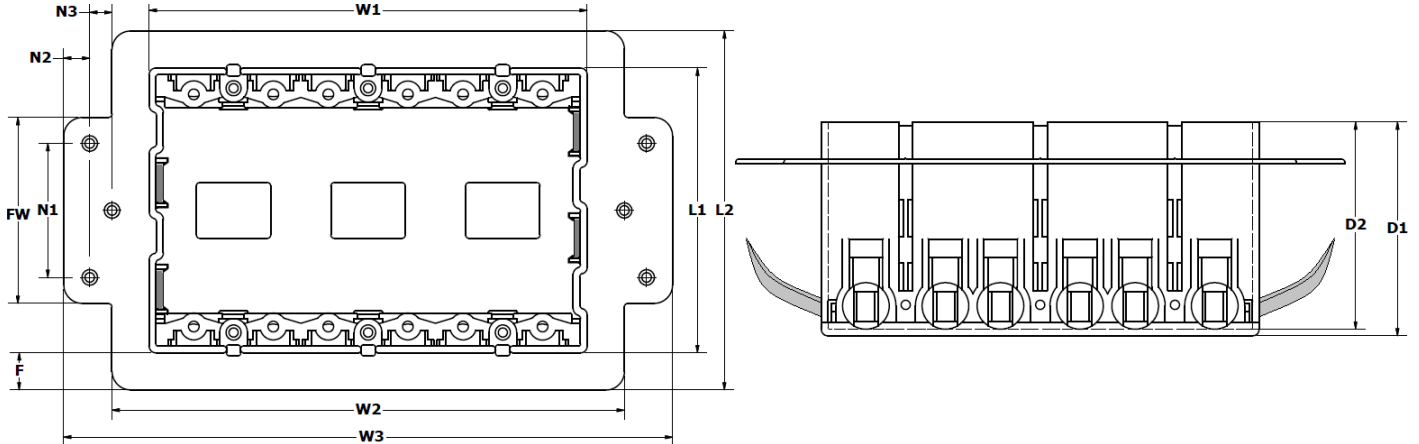


Rigid PVC Conduit Fittings

ICF BOX, TRIPP GANG  
ARMORED CABLE

Issue date:  
Date D'émission: 2012 11 23  
Supercedes:  
Remplace: 2012 11 15



L1		L2		W1		W2		W3		F	
in	mm	in	mm	in	mm	in	mm	in	mm	in	mm
3.83	97.2	4.83	122.6	5.89	149.7	6.89	175	8.19	208	0.5	12.7
FW		N1		N2		N3		D1		D2	
in	mm	in	mm	in	mm	in	mm	in	mm	in	mm
2.5	63.5	1.8	45.7	0.35	8.9	0.3	7.6	2.88	73	2.8	71.4

P/N.	Description	Hinge pin code	PVC AC Bracket code	8/32x1" BX Bracket Screw	6/32x5/8" Pan comb Screw	6.32x1/2" Pan comb Screw	AC Bracket Device Link	AC Metal Back plate
220008	ICF-2-CU	097148(4)	097147(12)	472149(12)	372302 (6)		372041(6)	372040(1)
220011	ICF-2-CLU	097148(4)	097147(12)	472149(12)		372301(6)		372040(1)