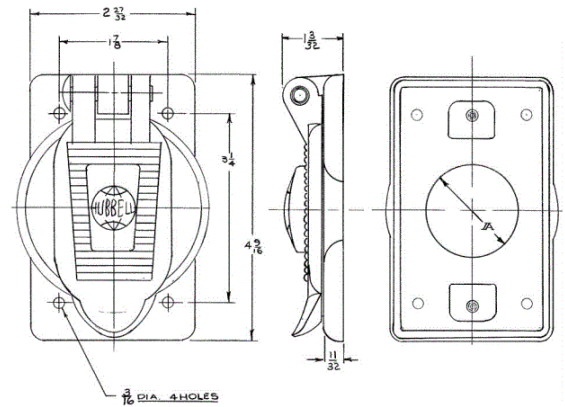


Straight Blade Devices  
Accessories  
Weatherproof Lift Covers

# HUBBELL

## Ordering Information

| Description                                  | Device Color | UPC          | Catalog Number |
|--|--------------|--------------|----------------|
| Cast aluminum for FS/FD box mounting for 50A | Aluminum     | 783585366005 | HBL9425        |



## Resources

[Customer Use Drawing](#)  
[eCatalog](#)

Dimensions in Inches (mm)

Hubbell Wiring Device-Kellems • Hubbell Incorporated (Delaware) • 40 Waterview Drive • Shelton, CT 06484

Phone (800) 288-6000 • Fax (800) 255-1031 • Specifications subject to change without notice.

