

## Straight Blade Devices

15A, 125V, 2 Pole, 3 Wire Grounding

# Commercial Specification Grade Style Line® Decorator Duplex Receptacles

# HUBBELL



15A 125V AC  
NEMA 5-15R  
UL CSA  
0.5 HP



## Features

- Weather-resistance complies with national electrical code requirements
- Tamper-resistant shutter complies with national electrical code requirements
- Aesthetic Style Line® decorator design
- Smooth face
- Triple wipe contacts

## Ordering Information

Description	Device Color	UPC Number	Catalog Number
Weather and Tamper-Resistant, Style Line® decorator	White	783585144795	DR15WHIWRTR

## Listings

UL Listed to UL498 File No. E2186  
Certified to CSA, C22.2, No. 42  
NEMA® WD-6 Compliant

## Specifications

Face	Nylon
Base	Nylon
Power Contacts	.030 in. (.8) Brass
Wire Clamp	.062 in. (1.6) Nickel plated steel
Mounting Strap Material	.040" (1) Galvanized steel
Terminal Screws	Stainless steel
Automatic Self-grounding Staple	Stainless steel
Mounting Screws	Stainless steel

## Performance

### Electrical

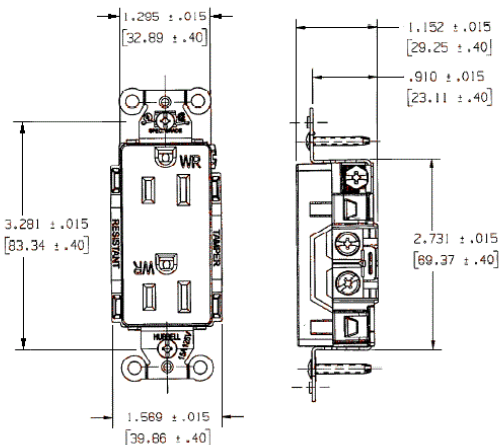
Current Interrupting	Certified for current interrupting at full rated current
Dielectric Voltage	Withstands 2,000V minimum

### Mechanical

Product Identification	Ratings are a permanent part of the device
Terminal Accommodation	#14-#10 AWG copper stranded or solid conductor only
Terminal Identification	Terminals identified in accordance with UL 498 and CSA

### Environmental

Flammability	UL 94 V-2
Operating Temperatures	Maximum continuous 75°C; minimum -40°C (w/o impact)



## Complementary Products

Wallplate or Weatherproof Cover

StyleLine® Decorator Opening

## Online Resources

Customer Sales Drawings  
eCatalog  
Installation Instructions

Dimensions in Inches (mm)

Hubbell Wiring Device-Kellems • Hubbell Incorporated (Delaware) • 40 Waterview Drive • Shelton, CT 06484

Phone (800) 288-6000 • Fax (800) 255-1031 • Specifications subject to change without notice.

