

Straight Blade Devices
15A, 125V, 2 Pole, 3 Wire Grounding
Flanged Inlets

HUBBELL

Features

- Weatherproof flip lid
- Weatherproof boot covers terminals
- Multiple drive screws
- Nickel plated brass blades

Ordering Information

Description	Device Color	UPC	Catalog Number
Weatherproof lift cover and boot	Black	783585808666	HBL61CM64BK



Listings

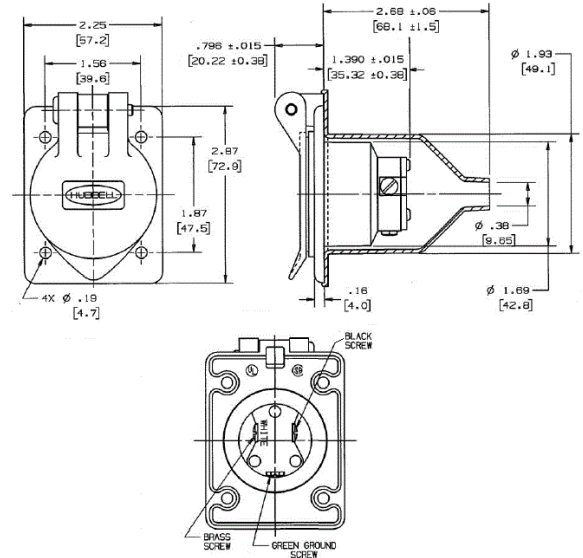
UL Listed, File E2186
Certified to CSA, C22.2, No. 42
NEMA® WD-6 Compliant

Specifications

Base	Nylon
Power Contacts	.040" (1.0) Brass
Terminal Screws	#8-32 Brass, Multiple Drive
Mounting Screw	Stainless steel

Performance

Electrical	
Current Interrupting	Certified for current interrupting at full rated current
Dielectric Voltage	Withstands 2,000V minimum
Mechanical	
Product Identification	Ratings are a permanent part of the device
Terminal Accommodation	#14-#10 AWG copper stranded or solid conductor only
Terminal Identification	Terminals identified in accordance with UL 498 and CSA
Environmental	
Flammability	UL 94 V-2
Operating Temperatures	Maximum continuous 75°C; minimum -40°C (w/o impact)



Resources

Customer Use Drawing
eCatalog

Dimensions in Inches (mm)

Hubbell Wiring Device-Kellems • Hubbell Incorporated (Delaware) • 40 Waterview Drive • Shelton, CT 06484

Phone (800) 288-6000 • Fax (800) 255-1031 • Specifications subject to change without notice.

