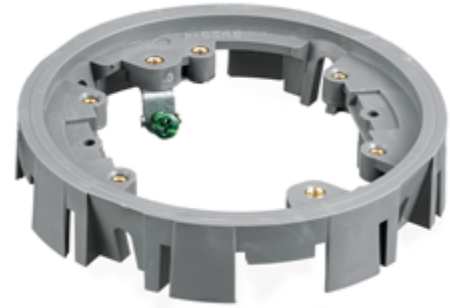


Floor Boxes
Flush Round Single or Multi-Service
Plastic Floor Box Adapter Ring

HUBBELL

Features

- Four hangers snap onto adapter and provide added support
- Includes four hangers for tile floors, four retainer clips and screws
- Accepts plastic and metallic floor box covers



Ordering Information

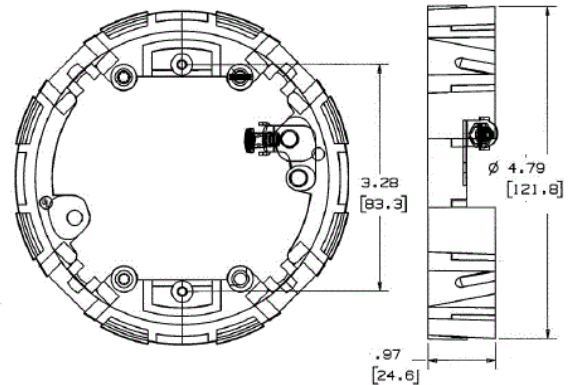
Description	Device Color	UPC	Catalog Number
Plastic Floor Box	Gray	783585342474	PFBA1A

Listings

UL File Number E92074
 CSA File Number LR18416

Specifications

Material	PVC
Retainer Clips	Clips slide into slots in box wall
Adapter Version	Round



Online Resources

Customer Use Drawing
 eCatalog
 Installation Instructions

Dimensions in Inches (mm)

Hubbell Wiring Device-Kellems • Hubbell Incorporated (Delaware) • 40 Waterview Drive • Shelton, CT 06484

Phone (800) 288-6000 • Fax (800) 255-1031 • Specifications subject to change without notice.

