



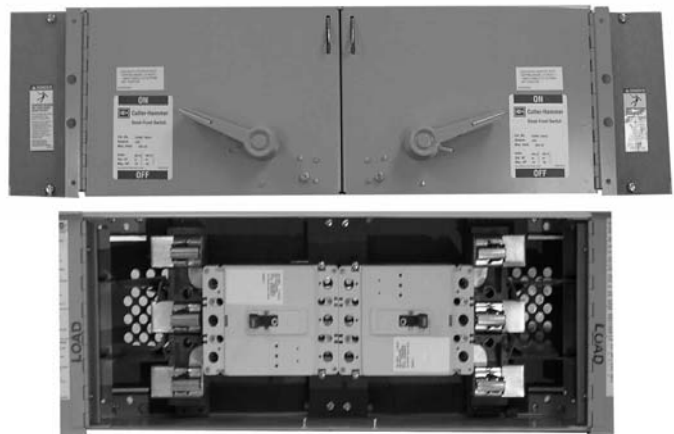
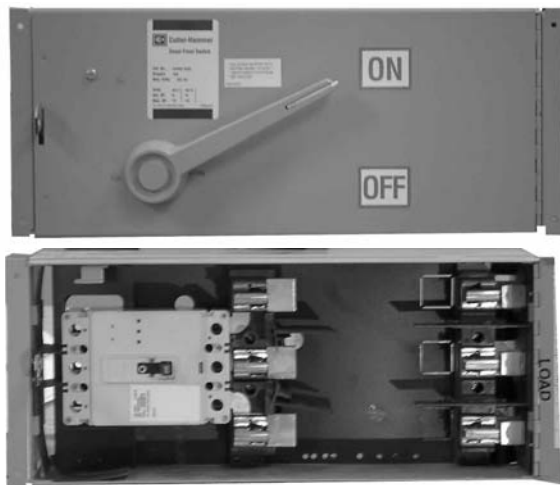
# Cutler-Hammer

## Type FDPB 200 Ampere Fusible Panelboard Switches

Technical Data

Supersedes Technical Data TD01416001E  
pages 1-4 dated September 2002

<i>Description</i>	<i>Page</i>
<b>Type FDPB 200 Ampere Fusible Panelboard Switches</b>	
Product Description . . . . .	2
Application Description . . . . .	2
Standards and Certifications . . . . .	2
Accessories . . . . .	2
FDPB Switch Ratings . . . . .	2
200 Ampere Single Horizontal Fused Switch . . . . .	3
200 Ampere Twin Horizontal Fused Switch . . . . .	4



## Type FDPB 200 Ampere Fusible Panelboard Switches

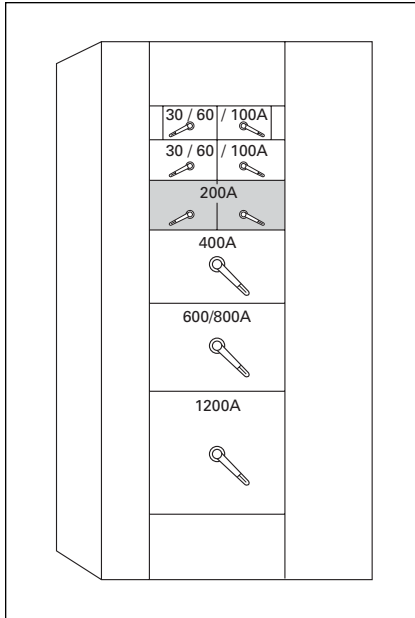


Figure 1. Type FDPB 200 Ampere Fusible Panelboard Switches

## Product Description

Eaton’s Cutler-Hammer Type FDPB 200 ampere fusible panelboard units incorporate switching contact structures with an instantaneous trip element. Housed in sheet steel enclosures, the units are designed for installation in PRL-4-F or Type CDP/FDP Distribution Panelboard chassis.

All switches have an interlock mechanism that prevents the switch cover from being opened with the switch mechanism in the “ON” position. The interlock may be defeated by qualified personnel.

These switches may be padlocked in the “ON” or “OFF” position.

**Note:** Optional visible-indication switches will be available no later than the 3rd quarter, 2003.

## Application Description

Type FDPB 200 Ampere Fusible Panelboard Switches are designed for commercial, industrial and service entrance applications to protect and switch feeder and branch circuits.

## Standards and Certifications

All FDPB 200 Ampere Fusible Panelboard Switches comply with UL® 98 and are listed under UL File Number E146549, Volume 1, Section 5.

## Accessories

The FDPB 200 Ampere Fusible Panelboard Switches allow for easy factory installation of available shunt trips and auxiliary contacts.

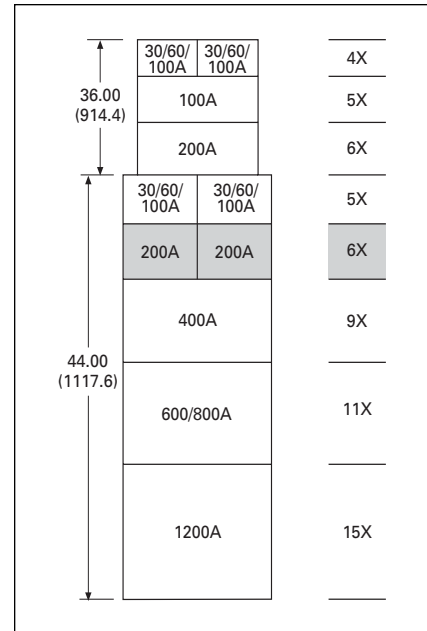


Figure 2. Horizontally Mounted Switches

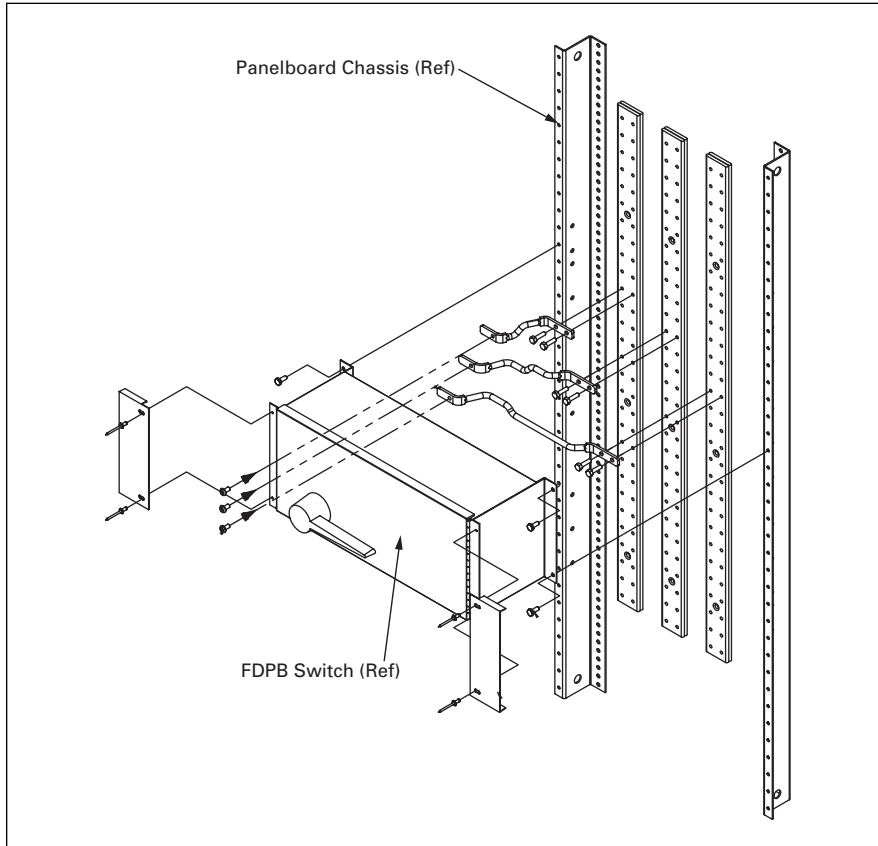
Table 1. FDPB 200 Ampere Switch Ratings

Ratings			Horsepower Rating		Fuse Type	Unit Size	Horizontally Mounted	Size and Type of Cu/Al Conductor Per Phase
Ampere	Voltage	Short Circuit	Standard	Maximum				
200	240 Vac	200 kAIC	25	60	R, T	—	—	#4 – 300 kcmil
	480 Vac	200 kAIC	50	125	R, J, T ①	—	—	
	600 Vac	200 kAIC	60	150	R, J, T ①	6X	Single or Twin	
	250 Vdc	10 kAIC	40	40	②	6X	Single or Twin	

① Class T fusing available on single switches only and not on twins.

② Contact fuse manufacturer for UL listed dc fuses.

**200 Ampere Single Horizontal Fused Switch**



**Figure 3. FDPB 200 Ampere Single Type Switch**

**Switch Description**

**Table 2. Horizontal Branch**

Rating		Fuse Type	Catalog Number
Ampere	Voltage		
200	240	R	FDPBS324R
200	600	R	FDPBS364R
200	240	T	FDPBS324F
200	600	T	FDPBS364F
200	600	J	FDPBS364J

**Short Circuit Rating**

200 kA rms symmetrical, 600 volt maximum.

**Note:** Quantity two of extension wing 114B812H05 are required to fill the gap between the switch and the panelboard trim when used in panelboards designed for a 22-inch (558.8 mm) wide switch.

**Terminals**

Pressure terminals supplied one per pole. UL recognized to accept one #4 – 300 kcmil Cu/Al wire.

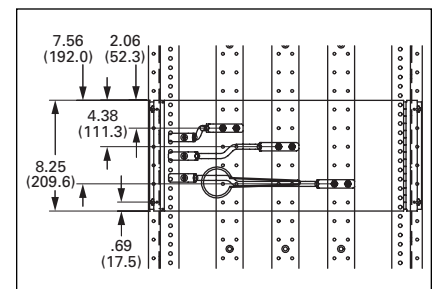
**Connectors**

Connectors for FDPB 200 Ampere Fusible Panelboard Switches differ from connectors for FDPW switches. Please contact your local Cutler-Hammer Sales Office for price and availability.

**Table 3. FDPB OEM Connectors**

Equipment	Single Switch	Catalog Number
PRL4 Panelboard	FDPB	KPRL4B6XS
PRL-C Switchboard	FDPB	KPRL4B6XS
Vintage Westinghouse CDP Panelboard	FDPB	KFDPB6X-2

Use quantity three of Terminal Kit **TA225FD1** on line-side of switch for main switch applications.



**Figure 4. View Showing Mounting Locations of Connectors to Bus Bars**

# Type FDPB 200 Ampere Fusible Panelboard Switches

## 200 Ampere Twin Horizontal Fused Switch

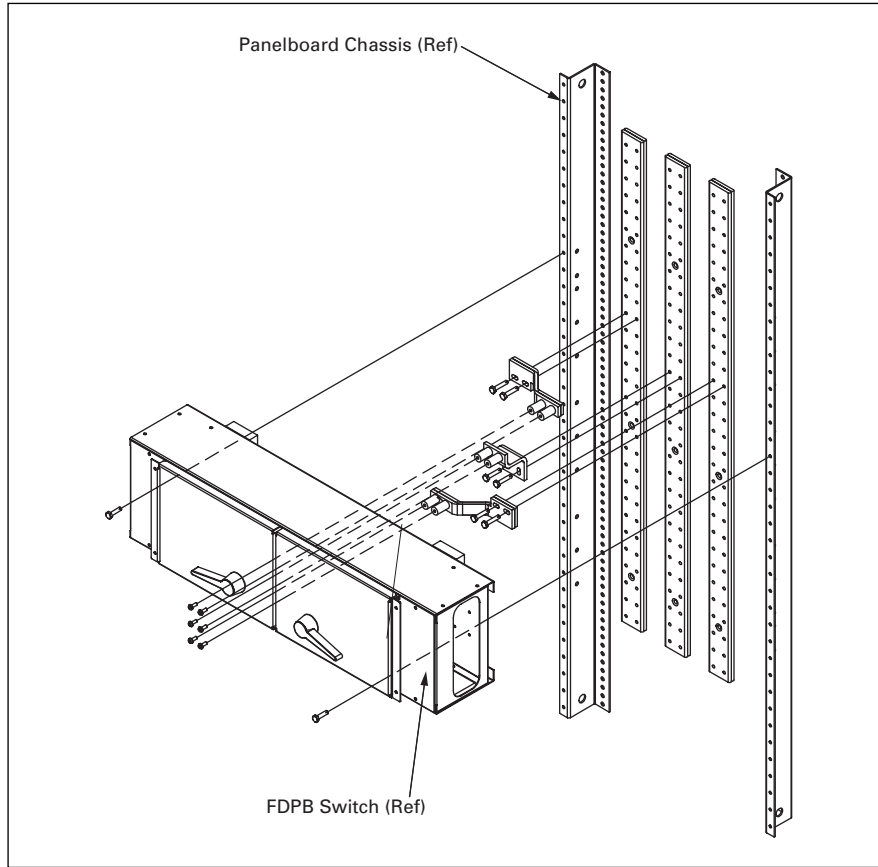


Figure 5. FDPB 200 Ampere Twin Type Switch

## Switch Description

Table 4. Horizontal Branch

Rating		Fuse Type	Catalog Number
Ampere	Voltage		
200	240	R	FDPBT3244R
200	240	R	FDPBT3244RDS
200	600	J	FDPBT3644J
200	600	J	FDPBT3644JDS

## Short Circuit Rating

200 kA rms symmetrical, 600 volt maximum.

## Terminals

Pressure terminals supplied one per pole. UL recognized to accept one #4 – 300 kcmil Cu/Al wire.

## Connectors

Connectors for FDPB 200 Ampere Fusible Panelboard Switches differ from connectors for FDPW switches. Please contact your local Cutler-Hammer Sales Office for price and availability.

Table 5. FDPB OEM Connectors

Equipment	Single Switch	Catalog Number
PRL4 Panelboard	FDPBT	KPRL4B6XT
PRL-C Switchboard	FDPBT	KPRL4B6XT

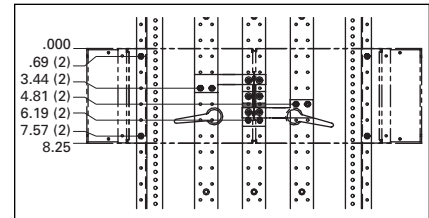


Figure 6. View Showing Mounting Locations of Connectors to Bus Bars

UL is a registered trademark of Underwriters Laboratories Inc.

Eaton Corporation  
 Cutler-Hammer business unit  
 1000 Cherrington Parkway  
 Moon Township, PA 15108-4312  
 USA  
 tel: 1-800-525-2000  
 www.cutler-hammer.eaton.com

