

Lumina™ RF Decora® 0-10V Wall Dimmer

LED Ready Lighting Control Solution



BASIC OPERATION

The Lumina™ RF Decora® 0-10V Wall Dimmer (ZS057) is a line-powered component of the Lumina RF Standalone product line. This device can be used to control any 0-10V controlled load, or it can be paired with a Lumina RF Keypad Room Controller for an advanced intelligent lighting system.

The ZS057 is a robust rocker manual switch with dimming bar used to provide wireless control of lighting loads including high inrush LED loads. The ZS057 is compatible with other 2.4GHz Lumina RF Wireless products for automated control via the Lumina RF Standalone App.

APPLICATIONS

- Retrofits
- Conference rooms
- Lounges
- Executive offices
- New construction
- Transceiver: can be programmed for 2-way communication

FEATURES

- **Use as a dimmer as part a Lumina RF Standalone solution**
- **Compatible with multiple load types**—any 0-10V controlled load, ex: LED, HID, inductive, fluorescent
- **Integrated H.I.S. (High Inrush Stability) Relay**—for ON/OFF control
- **Aesthetically pleasing intuitive design**—rocker switch and slender raise/lower side bar for ON/OFF, raise/lower control

FEATURES, CONT'D

- **Can be programmed via the Lumina RF Standalone App when paired with a Lumina RF Room Controller to perform a variety of functions:**
 - Room ON/OFF
 - Group ON/OFF
 - Scenes
 - Fade time
 - Preset groups
 - Toggle
- **Wireless mesh network**—self-healing mesh network feature has no hardwired backbone and connects all products together for a more robust and reliable system without wires
- **Code compliant energy management functionality**—can be used to meet energy code requirements for IECC, ASHRAE 90.1 and 2019 Title 24, Part 6 space/area control, dimming, manual-ON/OFF, occupancy control and automatic shutoff requirements
- **Robust and reliable**—mechanically held latching relay for high inrush (LED) and large commercial loads
- **LED flexibility**—enable, disable or turn OFF LED lights after five seconds for applications where brightness is a factor (i.e. hospitality)
- **LED Indicator**—inconspicuous LED light level indicator for locating in a dark room
- **3-way switching**
- **Standard size for seamless installation**—the ZS057 fits in a standard single-gang wall box
- **Available in White with Color Change Kit available for Ivory and Light Almond**
- **Complies with IEEE 802.15.4 standards**—for domestic and international wireless networks

Leviton Manufacturing Co., Inc. Energy Management, Controls and Automation

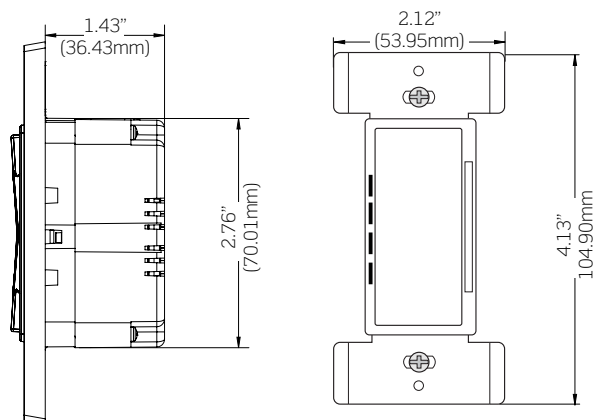
201 North Service Road, Melville, NY 11747-3138 tech line 800-824-3005 fax 800-832-9538

© 2019 Leviton Manufacturing Co., Inc. All rights reserved. Subject to change without notice.

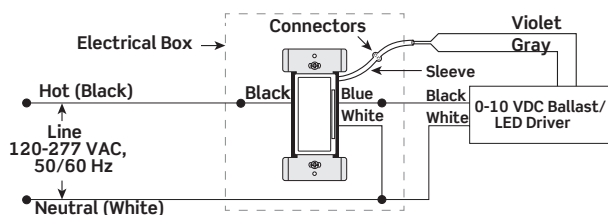
PRODUCT DATA



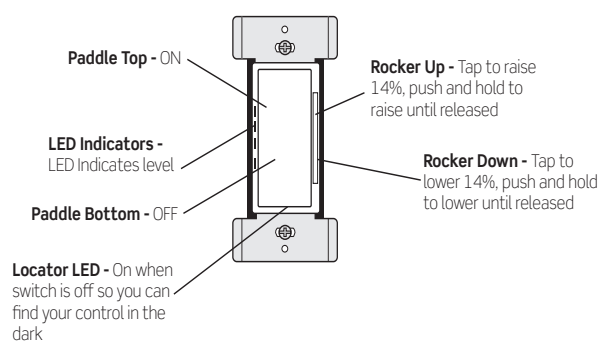
DIMENSIONS



WIRING DIAGRAM



USER INTERFACE*



*Default configuration shown. Buttons can be programmed with any function, ex: scene, raise/lower, toggle, etc.

SPECIFICATIONS

ELECTRICAL	ZS057-D0Z	ZS057-30Z
Input Voltage	120-277VAC, 50/60Hz, +/- 5%	347VAC +/- 8%, 60Hz +/- 5%
Load Rating	Current Rating: 8A@120VAC for Electronic and Magnetic Ballast, 5A@277VAC and CFL, LED Loads Incandescent/Tungsten: 120VAC, 50/60Hz - 800W Ballast: 1200VA @120VSV, 2700VA @277VAC	Current Rating: 4A for Electronic and Magnetic Ballast, CFL, LED Loads Incandescent/Tungsten: 347VAC, 60Hz - 800W Ballast: 347VAC, 60Hz, 1200VA
Motor Load	1/4HP @ 120VAC, 1/3HP @ 277VAC	347VAC, 60Hz 1/4 HP
Radio Frequency	2.4GHz	
ENVIRONMENTAL		
Operating Temperature Range	32° to 104° F (0° to 40° C), 0-90% non-condensing humidity	
Storage Temperature Range	14° to 185° F (-10° to 85° C)	
Usage	Indoors only	
OTHER		
Energy Codes	Can be used to meet energy code requirements for IECC, ASHRAE 90.1 and 2019 Title 24, Part 6 space/area control, dimming, manual-ON/OFF, occupancy control and automatic shutoff requirements	
Radio Certification	FCC certified for wireless communication (U.S.) IC Certified (Canada) FCC ID: QGH-B167601 IC: 2473A-B167601	
Rating	UL, NOM	
Dimensions	4.13" x 2.12" x 1.43" (104.90mm x 53.95mm x 36.43mm)	
Weight	0.25lbs (0.11kg)	
Warranty	Two years	
CAT. NO.	DESCRIPTION	
ZS057-D0Z	Lumina RF Decora 0-10V Wall Dimmer, 2.4GHz, 120-277VAC, 50/60Hz, 8A Load, 0-10V Sinking, 50mA, Available in White with Color Change Kit available for Ivory and Light Almond	
ZS057-30Z	Lumina RF Decora 0-10V Wall Dimmer, 2.4GHz, 347VAC, 50/60Hz, 4A Load, 0-10V Sinking, 50mA, Available in White with Color Change Kit available for Ivory and Light Almond	

Leviton Manufacturing Co., Inc. Global Headquarters

201 North Service Road, Melville, NY 11747-3138 tel 800-323-8920 fax 800-832-9538 tech line (8:30AM-7:00PM ET Mon-Fri) 800-824-3005

Leviton Manufacturing Co., Inc. Energy Management, Controls and Automation

20497 SW Teton Avenue, Tualatin, OR 97062 tel 800-736-6682 fax 503-404-5594 tech line (6:00AM-4:00PM PT Mon-Fri) 800-959-6004

Visit our website at: www.leviton.com/lumina

©2019 Leviton Manufacturing Co. Inc. All rights reserved. Subject to change without notice.

LES-G-10371/D19-AA