



Perfect for Residential and Commercial Applications

Homes and Multifamily Units with

- Floor to ceiling windows
- Great rooms
- Other open concept spaces

Commercial Applications

- Cafe/restaurants
- Hotels
- Shopping malls
- Offices, meeting rooms
- And more...

Flooring types:

- Tile
- Stone
- Wood
- Laminate
- Carpet
- Concrete
- Vinyl



Features

- Contoured top plate for enhanced aesthetics
- Side latch open/close mechanism prevents scratching of wiring device face
- Low profile cover recesses when not in use, reducing above-floor height to only ¼ inch
- Assembled with genuine Leviton wiring devices
- Pre-wired terminal block for easy wiring access and installation
- IP 44 Rated: protection from ingress of water spray from any direction when closed
- Meets or exceeds UL 514A requirements including scrub water test
- Tamper-resistant to comply with the latest NEC® requirements for tamper-resistant receptacles in residences and childcare facilities
- Adjustable concrete rated electrical box included
- Available in: Brushed Nickel, Black, Brass, and Bronze finishes



Specifications

Description	PFUS1 15A USB Charger TR Receptacle	PFUS2 20A USB Charger TR Receptacle	PFGF1 15A Self-Test TR GFCI	PFGF2 20A Self-Test TR GFCI	PFTR1 15A TR Receptacle	PFTR2 20A TR Receptacle	PFQP3 3-Port QuickPort
Electrical Specifications							
Amperage	15A	20A	15A	20A	15A	20A	Accepts all QuickPort connectors
Voltage	125V						
NEMA	5-15R	5-20R	5-15R	5-20R	5-15R	5-20R	
Pole	2						
Wire	3						
Material Specifications							
Pop-up face	Brass alloy						
Device face	Thermoplastic						
Mounting screws	Plated steel						
Box material	Coated steel						
Mechanical Specifications							
Box size	Standard 4"W x 4"L x 3"D						
Termination accom.	12-14 AWG						n/a
Termination	Terminal block						
Standards & Certifications							
Certification/Listing	cETLus						
Applicable Standards	Conforms to UL STD 514A, Certified to CSA STD 22.2 No. 18.1, IP 44, NOM ANCE*						
Warranty							
Product Warranty	2-Year Limited						

* excludes QuickPort model

Available Configurations



USB Charger
Tamper-Resistant Receptacles



Self-Test GFCI
Tamper-Resistant Receptacles



Tamper-Resistant Receptacles



3-Port QuickPort

Available Finishes



Brushed Nickel (-BN)



Black (-MB)

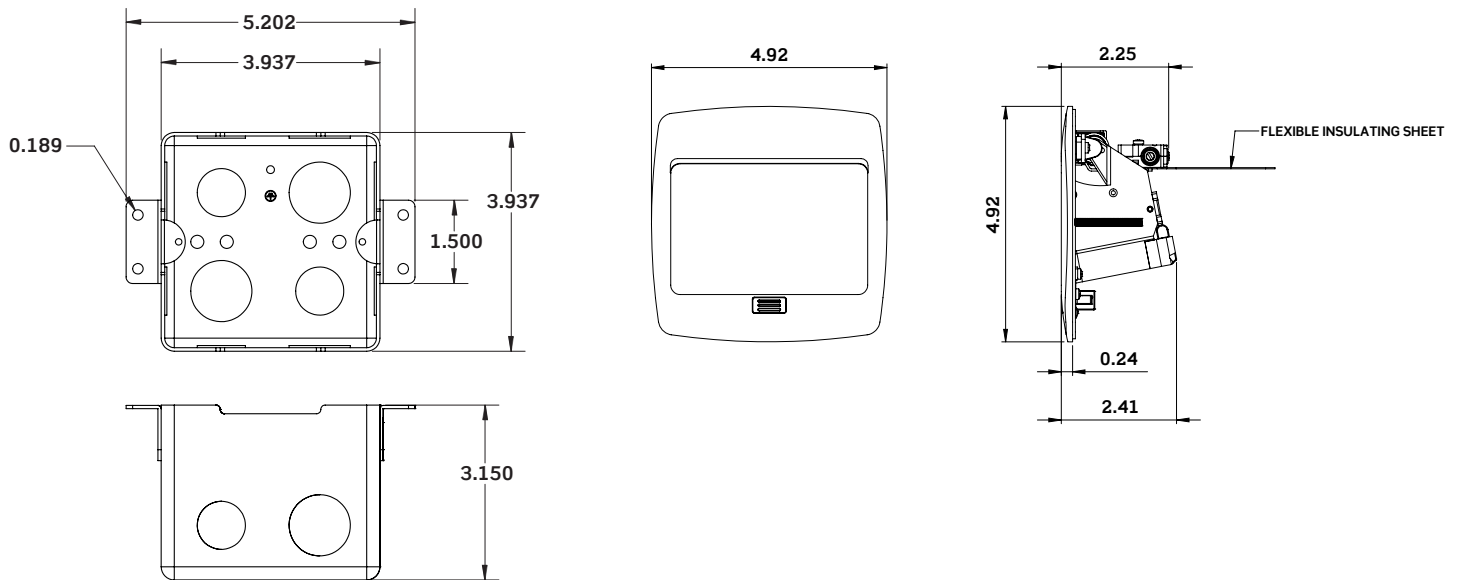


Brass (-BR)

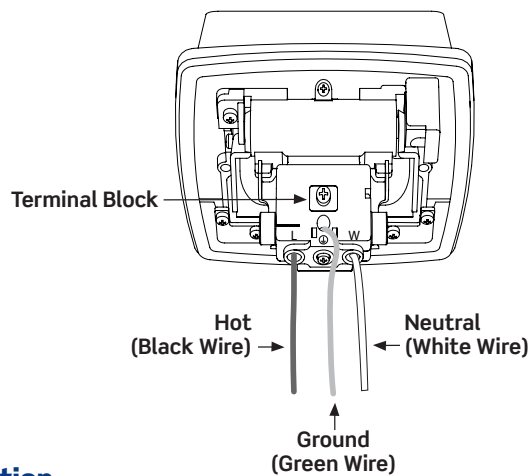


Bronze (-BZ)

Dimensional Drawings



Wiring Diagram



Ordering Information

Cat. No.	Description	Rating	Color
PFUS1	Pop-Up Floor Box with 15A USB Charger Tamper-Resistant Receptacle	15A - 125V	BN, MB, BR, BZ
PFUS2	Pop-Up Floor Box with 20A USB Charger Tamper-Resistant Receptacle	20A - 125V	BN, MB, BR, BZ
PFGF1	Pop-Up Floor Box with 15A Self-Test GFCI Tamper-Resistant Receptacle	15A - 125V	BN, MB, BR, BZ
PFGF2	Pop-Up Floor Box with 20A Self-Test GFCI Tamper-Resistant Receptacle	20A - 125V	BN, MB, BR, BZ
PFTR1	Pop-Up Floor Box with 15A Tamper-Resistant Receptacle	15A - 125V	BN, MB, BR, BZ
PFTR2	Pop-Up Floor Box with 20A Tamper-Resistant Receptacle	20A - 125V	BN, MB, BR, BZ
PFQP3	Pop-Up Floor Box with 3-Port QuickPort	-	BN, MB, BR, BZ

To order colors, add suffix to Cat. No.: Brushed Nickel (-BN), Black (-MB), Brass (-BR), Bronze (-BZ)



Leviton Manufacturing Co., Inc.

201 North Service Road, Melville, NY 11747-3138
 Telephone: 1-800-323-8920 • FAX: 1-800-832-9538
 Tech Line: 1-800-824-3005
 Mon-Fri 8am-10pm EST, Saturday 9am-7pm EST

Visit our Website at: www.leviton.com

© 2019 Leviton Manufacturing Co., Inc. All rights reserved.

